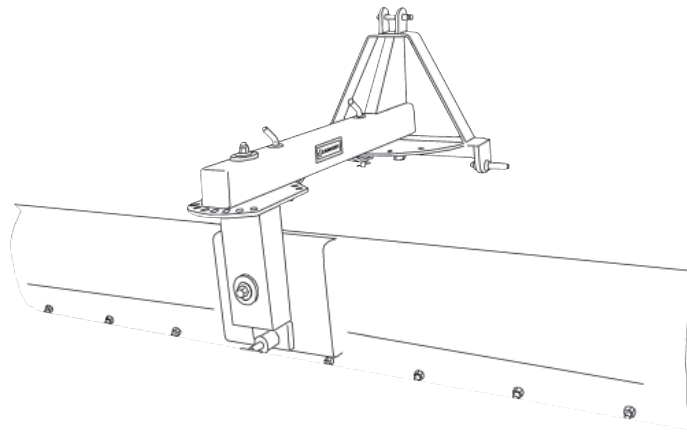




REAR BLADES



**Assembly/Operator's/Parts
Manual For Models
GB5, GB6, & GB7
GB60, GB70, & GB80
GB75/H, GB85/H, & GB95/H
GB800, GB900, & GB1000**

June 2007

TABLE OF CONTENTS

SECTION	DESCRIPTION	PAGE
1	Introduction	1
1.1	Serial Number.....	1
2	Safety.....	2
2.1	General Safety	3
2.2	Equipment Safety Guidelines	4
2.3	Safety Training.....	5
2.4	Safety Signs	5
2.5	Preparation	6
2.6	Operating Safety.....	7
2.7	Transport Safety.....	8
2.8	Maintenance Safety.....	8
2.9	Storage Safety.....	9
2.10	Preparation Checklist.....	9
3	Operation	10
3.1	Attachment to Tractor.....	10
3.2	Pre-Operation	10
3.3	Field Operation.....	11
3.4	Transporting	12
3.5	Storage	12
4	Torque Specifications.....	13
5	Machine Components.....	14
5.1	Parts Drawing GB5, 6, & 7	14
5.2	Parts List.....	15
5.3	Parts Drawing GB60, 70, & 80	16
5.4	Parts List.....	17
5.5	Parts Drawing GB800, 900, & 1000	18
5.6	Parts List.....	19
6	Limited Warranty.....	20

1 INTRODUCTION

Congratulations on your purchase of a Gearmore Medium Duty Rear Blade.

Safe, efficient and trouble free operation of your Rear Blade requires that you and anyone else who will be operating or maintaining the machine, read and understand the Safety, Operation, Maintenance and Troubleshooting information contained within the Operator's Manual.

This manual covers the Medium Duty Rear Blades models GB60, GB70, and GB80. Differences are explained where appropriate. Use the Table of Contents as a guide to locate required information.

Keep this manual handy for frequent reference and to pass on to new operators or owners. Call your Gearmore dealer or distributor if you need assistance, information or additional copies of the manuals.

OPERATOR ORIENTATION - The directions left, right, front and rear, as mentioned throughout this manual, are as seen from the driver's seat and facing in the direction of travel.

1.1 SERIAL NUMBER

Always give your dealer the serial number of your Rear Blade when ordering parts or requesting service or other information.

DATE OF PURCHASE: _____

MODEL NUMBER: _____

SERIAL NUMBER: _____

2 SAFETY

SAFETY ALERT SYMBOL

This Safety Alert symbol means **ATTENTION! BECOME ALERT! YOUR SAFETY IS INVOLVED!**



The Safety Alert symbol identifies important safety messages on the Tandem Discs and in the manual. When you see this symbol, be alert to the possibility of personal injury or death. Follow the instructions in the safety message.

Why is SAFETY important to you?

3 Big Reasons

Accidents Disable and Kill

Accidents Cost

Accidents Can Be Avoided

SIGNAL WORDS:

Note the use of the signal words **DANGER**, **WARNING** and **CAUTION** with the safety messages. The appropriate signal word for each message has been selected using the following guide-lines:

SI NO LEE INGLES, PIDA AYUDA A AIGUIEN QUE SI LO LEA PARA QUE LE TRADUZCA LAS MIDIDAS DE SEGURIDAD.

DANGER - Indicates an imminently hazardous situation that, if not avoided, will result in death or serious injury. This signal word is to be limited to the most extreme situations typically for machine components which, for functional purposes, cannot be guarded.

WARNING - Indicates a potentially hazardous situation that, if not avoided, could result in death or serious injury, and includes hazards that are exposed when guards are removed. It may also be used to alert against unsafe practices.

CAUTION - Indicates a potentially hazardous situation that, if not avoided, may result in minor or moderate injury. It may also be used to alert against unsafe practices.

If you have any questions not answered in this manual or require additional copies or the manual is damaged, please contact your dealer.

2.1 GENERAL SAFETY

YOU are responsible for the **SAFE** operation and maintenance of your Rear Blade. **YOU** must ensure that you and anyone else who is going to operate, maintain or work around the Rear Blade be familiar with the operating and maintenance procedures and related **SAFETY** information contained in this manual. This manual will take you step-by-step through your working day and alerts you to all good safety practices that should be adhered to while operating the Rear Blade.

Remember, **YOU** are the key to safety. Good safety practices not only protect you, but also the people around you. Make these practices a working part of your safety program. Be certain that **EVERYONE** operating this equipment is familiar with the recommended operating and maintenance procedures and follows all the safety precautions. Most accidents can be prevented. Do not risk injury or death by ignoring good safety practices.

- Rear Blade owners must give operating instructions to operators or employees before allowing them to operate the machine, and at least annually there after per OSHA (Occupational Safety and Health Administration) regulation 1928.57.
- The most important safety feature on this equipment is a **SAFE** operator. It is the operator's responsibility to read and understand **ALL** Safety and Operating instructions in the manual and to follow these. Most accidents can be avoided.
- A person who has not read and understood all operating and safety instructions is not qualified to operate the machine. An untrained operator exposes himself and bystanders to possible serious injury or death.
- **DO NOT** modify the equipment in any way. Unauthorized modification may impair the function and/or safety and could affect the life of the equipment.

1. Read and understand the Operator's Manual and all safety signs before operating, maintaining or adjusting the Rear Blade.



2. Have a first-aid kit available for use should the need arise and know how to use it.

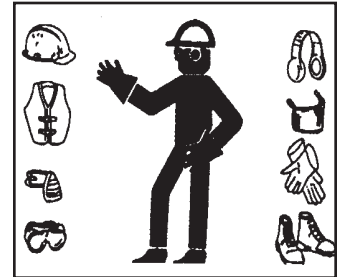


3. Have a fire extinguisher available for use should the need arise and know how to use it.



4. Wear appropriate protective gear. This list includes but is not limited to:

- A hard hat
- Protective shoes with slip resistant soles
- Protective goggles, glasses or face shield
- Heavy gloves
- Protective clothing



5. **NEVER** allow children to operate tractor and Rear Blade or other power equipment.

6. **DO NOT** allow riders.



7. Wear suitable ear protection for prolonged exposure to excessive noise.

8. Lower Rear Blade to the ground, set park brake, remove ignition key and wait for all moving parts to stop before servicing, adjusting and repairing.

9. Clear the area of people, especially small children, before starting.

10. Review safety related items annually with all personnel who will be operating or maintaining the Rear Blade.

2.2 EQUIPMENT SAFETY GUIDELINES

Safety of the operator and bystanders is one of the main concerns in designing and developing a machine. However, every year many accidents occur which could have been avoided by a few seconds of thought and a more careful approach to handling equipment. You, the operator, can avoid many accidents by observing the following precautions in this section. To avoid personal injury or death, study the following precautions and insist those working with you, or for you, follow them.

- In order to provide a better view, certain photographs or illustrations in this manual may show an assembly with a safety shield removed. However, equipment should **never** be operated in this condition. Keep all shields in place. If shield removal becomes necessary for repairs, replace the shield prior to use.
- Replace any safety sign or instruction sign that is not readable or is missing. Location of such safety signs is indicated in this manual.
- **NEVER** use alcoholic beverages or drugs which can hinder alertness or coordination while operating this equipment. Consult your doctor about operating this machine while taking prescription medications.
- **Under no circumstances should young children be allowed to work with this equipment. Do not allow persons to operate or assemble this unit until they have read this manual and have developed a thorough understanding of the safety precautions and of how it works.** Review the safety instructions with all users annually.

- This equipment is dangerous to children and persons unfamiliar with its operation. The operator should be a responsible, properly trained and physically able person familiar with farm machinery and trained in this equipment's operations. If the elderly are assisting with farm work, their physical limitations need to be recognized and accommodated.
- Use a tractor equipped with a Roll Over Protective Structure (ROPS) and a seat belt.
- **NEVER** exceed the limits of a piece of machinery. If its ability to do a job, or to do so safely, is in question - **DON'T TRY IT.**
- Do not modify the equipment in any way. Unauthorized modification may impair the function and/or safety and could affect the life of the equipment.

In addition to the design and configuration of this implement, including Safety Signs and Safety Equipment, hazard control and accident prevention are dependent upon the awareness, concern, prudence and proper training of personnel involved in the operation, transport, maintenance and storage of the machine. Refer also to Safety Messages and operation instruction in each of the appropriate sections of the tractor and machine manuals. Pay close attention to the Safety Signs affixed to the tractor and the machine.

Think SAFETY! Work SAFELY!

2.3 SAFETY TRAINING

Safety is a primary concern in the design and manufacture of our products. Unfortunately, our efforts to provide safe equipment can be wiped out by a single careless act of an operator or bystander.

In addition to the design and configuration of equipment, hazard control and accident prevention are dependent upon the awareness, concern, prudence and proper training of personnel involved in the operation, transport, maintenance and storage of this equipment.

It has been said, "***The best safety feature is an informed, careful operator.***" We ask you to be that kind of an operator. It is the operator's responsibility to read and understand ALL Safety and Operating instructions in the manual and to follow these. Accidents can be avoided.



Working with unfamiliar equipment can lead to careless injuries. Read this manual, and the manual for your tractor, before assembly or operating, to acquaint yourself with the machines. If this machine is used by any person other than yourself, or is loaned or rented, it is the machine owner's responsibility to make certain that the operator, prior to operating:

- a. Reads and understands the operator's manuals.
- b. Is instructed in safe and proper use.

Know your controls and how to stop tractor, engine and machine quickly in an emergency. Read this manual and the one provided with your tractor.

Train all new personnel and review instructions frequently with existing workers. Be certain only a properly trained and physically able person will operate the machinery. A person who has not read and understood all operating and safety instructions is not qualified to operate the machine. An untrained operator exposes himself and bystanders to possible serious injury or death. If the elderly are assisting with farm work, their physical limitations need to be recognized and accommodated.

2.4 SAFETY SIGNS

1. Keep safety signs clean and legible at all times.
2. Replace safety signs that are missing or have become illegible.
3. Replaced parts that displayed a safety sign should also display the current sign.
4. Safety signs are available from your authorized dealer or from Gearmore.

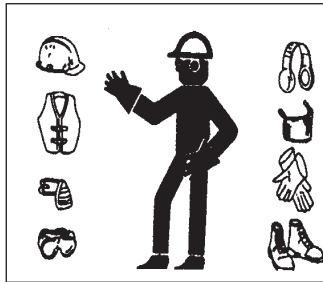
How To Install Safety Signs:

- Be sure that the installation area is clean and dry.
- Be sure temperature is above 50° F (10° C).
- Determine exact position before you remove the backing paper.
- Remove the smallest portion of the split backing paper.
- Align the sign over the specified area and carefully press the small portion with the exposed sticky backing in place.
- Slowly peel back the remaining paper and carefully smooth the remaining portion of the sign in place.
- Small air pockets can be pierced with a pin and smoothed out using the piece of sign backing paper.

2.5 PREPARATION

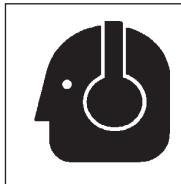
1. Never operate the tractor and machine until you have read and completely understand this manual, the Tractor Operator's Manual and each of the Safety Messages found on the safety signs on the tractor and machine.


2. Personal protection equipment, including hard hat, safety glasses, safety shoes and gloves are recommended during assembly, installation, operation, adjustment, maintaining, repairing, removal or moving the implement. **DO NOT** allow long hair, loose fitting clothing or jewelry to be around equipment.



3. **PROLONGED EXPOSURE TO LOUD NOISE MAY CAUSE PERMANENT HEARING LOSS!**

Tractors with or without equipment attached can often be noisy enough to cause permanent, partial hearing loss. We recommend that you wear hearing protection on a full-time basis if the noise in the Operator's position exceeds 80db. Noise over 85db on a long-term basis can cause severe hearing loss. Noise over 90db adjacent to the Operator over a long-term basis may cause permanent, total hearing loss. **NOTE:** Hearing loss from loud noise (from tractors, chain saws, radios, and other such sources close to the ear) is cumulative over a lifetime without hope of natural recovery.



4. Operate the machine only with a tractor equipped with an approved Roll-Over Protective Structure (ROPS). Always wear your seat belt. Serious injury or even death could result from falling off the tractor --- particularly during a turn-over when the operator could be pinned under the ROPS or the tractor.
- 
5. Clear working area of stones, branches or hidden obstacles that might be hooked or snagged, causing injury or damage.
 6. Keep blade away from overhead power lines. Electrocution can occur without direct contact with an overhead power line.
 7. Operate only in daylight or good artificial light.
 8. Be sure machine is properly mounted, adjusted and in good operating condition.
 9. Before starting, give the machine a "once over" for any loose bolts, worn parts, cracks, leaks, and make necessary repairs. Always follow maintenance instructions.
 10. Ensure that all safety shielding and safety signs are properly installed and in good condition.
 11. Use caution when operating the tractor on uneven terrain.
 12. Move wheels or tires to their widest position for maximum stability.
 13. Decrease speed when making turns.
 14. Use front and rear wheel weights as required.

2.6 OPERATING SAFETY

Please remember it is important that you read and heed the safety signs on the tractor and blade. Clean or replace all safety signs if they cannot be clearly read and understood. They are there for your safety, as well as the safety of others. The safe use of this machine is strictly up to you, the operator.

All things with moving parts are potentially hazardous. There is no substitute for a cautious, safe-minded operator who recognizes potential hazards and follows reasonable safety practices. The manufacturer has designed these Rear Blades to be used with all its safety equipment properly attached to minimize the chance of accidents. Study this manual to make sure you have all safety equipment attached.

Practice raising and lowering the blade when learning to operate the Rear Blade. Become familiar with controls before operating.

If a safety shield or guard is removed for any reason, it must be replaced before the machine is again operated.

Do not operate near the edge of drop-offs or banks.

Do not operate at an angle on steep slopes. Drive up or down but not across. **Always lift blade before turning at ends of field.**

Make allowances for increased length and weight of tractor during operation and moving.

Remove all sticks, stones, roots and wires from working area before starting. Take care not to contact overhead obstructions during operation.

Never operate controls from the ground. Operate only from the operators seat to prevent unexpected movement that can lead to crushing between frame members.

Start operation at a slower comfortable speed; increase tractor speed slowly.

Keep blade away from overhead power lines. Electrocutation can occur without direct contact with an overhead power line.

Never carry, lift or move people on blade. Do not use machine as a work platform.

Always use two people to handle heavy, unwieldy components during assembly, installation, removal or moving.

Never place any part of your body where it would be in danger if movement should occur during assembly, installation, operation, maintaining, repairing, removal or moving.

Do not walk or work under a raised machine or attachment unless it is securely blocked or held in position. Do not depend on the tractor hydraulic system to hold the machine or attachment in place.

Never use alcoholic beverages or drugs, which can hinder alertness or coordination, while operating this equipment. Consult your doctor about operating this machine while taking prescription medications.

Do not allow riders on the machine or tractor at any time. There is no safe place for any riders.

Do not go under raised blade. Keep others away.

Add sufficient amount of weight to front end of tractor to prevent wheels from coming off the ground when starting suddenly with a load.

Always remove the key when leaving the tractor unattended.

Never allow blade to be left in the "up" position when unattended.

Before you operate the machine, check over all pins, bolts and connections to be sure all are securely in place. Replace any damaged or worn parts immediately.

Review safety instructions annually.

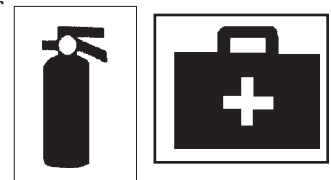
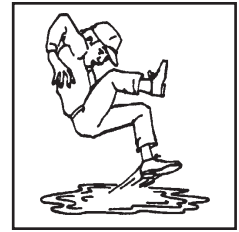
2.7 TRANSPORT SAFETY

1. Comply with state and local laws governing highway safety and movement of farm machinery on public roads.
2. The use of flashing amber lights is acceptable in most localities. However, some localities prohibit their use. Local laws should be checked for all highway lighting and marking requirements.
3. At all times, when driving the tractor and equipment on the road or highway under 20 mph (32 kph) use flashing amber warning lights and a slow moving vehicle (SMV) identification emblem. Do not exceed 20 mph (32 kph). Reduce speed on rough roads and surfaces.
4. Keep tractor in gear to provide engine braking when going downhill. Do not coast.
5. Plan your route to avoid heavy traffic.
6. Keep brake pedals latched together at all times.
7. Do not drink and drive.
8. Be a safe and courteous driver. Always yield to oncoming traffic in all situations, including narrow bridges, intersections, etc. Watch for traffic when operating near or crossing roadways.
9. Turn into curves or go up or down hills only at a low speed and at a gradual steering angle. Make certain that at least 20% of the tractor's weight is on the front wheels to maintain safe steering. Slow down on rough or uneven surfaces.
10. Never allow riders on either tractor or machine. Riders may obstruct the operator's view. They could also be struck by foreign objects or thrown from the machine.



2.8 MAINTENANCE SAFETY

1. Good maintenance is your responsibility. Poor maintenance is an invitation to trouble.
2. Follow good shop practices.
 - Keep service area clean and dry.
 - Be sure electrical outlets and tools are properly grounded.
 - Use adequate light for the job at hand.
3. Make sure there is plenty of ventilation. Never operate the engine in a closed building. The exhaust fumes may cause asphyxiation.
4. Before working on this machine, shut off the engine, set the brakes and remove the ignition key.
5. Never work under equipment unless it is blocked securely.
6. Use personal protection devices such as eye, hand and hearing protectors, when performing any service or maintenance work.
7. Where replacement parts are necessary for periodic maintenance and servicing, genuine factory replacement parts **must** be used to restore your equipment to original specifications. The manufacturer will not be responsible for injuries or damages caused by use of unapproved parts and/or accessories.
8. A fire extinguisher and first aid kit should be kept readily accessible while performing maintenance on this equipment
9. Periodically tighten all bolts, nuts and screws and check that all cotter pins are properly installed to ensure unit is in a safe condition.
10. When completing a maintenance or service function, make sure all safety shields and devices are installed before placing unit in service.



2.9 STORAGE SAFETY

1. Store the unit in an area away from human activity.
2. Do not permit children to play on or around the stored machine.
3. Store the unit in a dry, level area, out of the weather when it is not in use. This helps prevent rusting of the blades and other components.
4. Support the frame with planks or blocks if required.

NOTE: Tines and/or blades should be cleaned immediately after each use for easier cleaning.

SAFETY RECAP

The manufacturer follows the general Safety Standards specified by the American Society of Agricultural Engineers (ASAE) and the Occupational Safety and Health Administration (OSHA). Anyone who will be operating and/or maintaining the Rear Blade must read and clearly understand ALL Safety, Operating and Maintenance information presented in this manual.

Do not operate or allow anyone else to operate this equipment until such information has been reviewed. Annually review this information before the season start-up.

Make these periodic reviews of SAFETY and OPERATION a standard practice for all of your equipment. We feel that an untrained operator is unqualified to operate this machine.

Think SAFETY! Work SAFELY!

2.10 PREPARATION CHECKLIST

- Assembly Completed
- All fasteners torqued to specifications given in Torque Chart (see page 21)
- All decals in place and readable
- All guards in place and in good operating order
- Overall condition good (paint, welds, etc.)
- Operator's Manual has been read and understood
- Operator has been instructed on the safe and proper use of the implement

Prior to use, it is recommended that the following mechanical items be checked:

A. Daily Operation Checks:

1. Check all nuts, bolts and other fasteners. Tighten to their specified torque level.
2. Clean the unit of dirt and trash to minimize rusting and wear.
3. Replace any decals that are worn or damaged.

3 OPERATION



OPERATING SAFETY

1. Read Operator's Manual.
2. Lower blade to the ground, stop engine, set park brake, remove ignition key and wait for all moving parts to stop before servicing, adjusting and repairing.
3. Do not carry people on blade or frame.
4. Add sufficient weight to front end of tractor to prevent wheels from coming off the ground when starting suddenly with a load.
5. Stay away from overhead power lines. Electrocutation can occur without direct contact.
6. Use caution when operating the tractor on uneven terrain. Decrease speed when making turns. Use front and rear wheel weights as required.
7. Use only with a unit with ROPS and a seat belt.
8. Never allow blade to be left in the "up" position when unattended.
9. Always remove the key when leaving the tractor unattended.
10. Review safety instructions.

3.1 ATTACHMENT TO TRACTOR

The implement should be placed on level ground. Place the tractor 3-point lift arm control in "position control" (non-floating) for attaching and detaching the rear mounted blade. "Draft control" or "position control" can be used while operating. Attach the top link to the top hitch mount and adjust so that the frame will be level in the operating position. Back the tractor until the ends of the lift arms can be attached to the bottom clevis pins on the implement. **Never stand between tractor and implement when backing up to implement.** Secure the lift arms to the clevis pins. Slowly move implement throughout the lift cycle of the tractor watching for interference between implement and tractor. Adjust top link, if necessary to provide additional clearance.

To detach from tractor, lower the implement to the ground with 3-point lift arm control in position control. Remove top link from top hitch mount, disconnect hitch arms from bottom clevis pins and pull tractor away from blade.

3.2 PRE-OPERATION

Lower the implement as much as possible and securely support before making any adjustment. Level the implement from side to side and front to rear using adjustments on the tractor's 3-point lift. Care should be exercised during use of the implement to prevent hanging the ends on immovable objects or otherwise use the implement under conditions beyond its designed capacity.

1. Securely fasten your seat belt if the tractor has a ROPS (recommended).
2. Where possible, avoid operating the tractor near ditches, embankments, and holes.
3. Reduce speed when turning, crossing slopes, and on rough, slick, or muddy surfaces.
4. Stay off slopes too steep for safe operation.
5. Watch where you are going, especially at row ends, on roads, and around trees.
6. Do not permit others to ride on implement or tractor.
7. Operate the tractor smoothly - no jerky turns, starts, or stops.
8. Hitch only to the drawbar and hitch points recommended by tractor manufacturers.
9. When tractor is stopped, set brakes securely and use park lock if available.

3.3 FIELD OPERATION



OPERATING SAFETY

1. Read Operator's Manual.
2. Lower rear blade to the ground, stop engine, set park brake, remove ignition key and wait for all moving parts to stop before servicing, adjusting and repairing.
3. Do not carry people on blade or frame.
4. Add weight to front of tractor to prevent wheels from coming off the ground.
5. Stay away from overhead power lines. Electrocutation can occur without direct contact.
6. Use caution when operating on uneven terrain. Decrease speed when making turns.
7. Use only with a unit with ROPS and a seat belt.
8. Never allow blade to be left in the "up" position when unattended.
9. Give complete undivided attention to the job at hand.
10. Do not go under raised implement. Keep others away.

Each operator should review this section of the manual at the start of the season and as often as required to be familiar with the machine.



CAUTION!

Be careful when working with blades, as the edges are sharp. Wear gloves when working around blades.

1. After initial adjustments have been made and tractor is hooked up to Blade, you are ready to start.
2. Lower blade to ground and start moving forward. Your travel speed will be determined by soil conditions. You may find you want more or less angle on the blade to do the job.
3. When turning, always lift implement up out of ground.



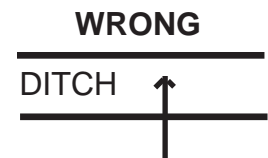
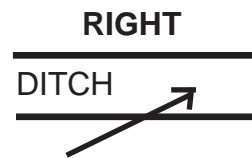
CAUTION!

Damage to the blade can occur if it is not lifted out of the ground before turning.

4. Do not travel backwards. The blade is designed for traveling forward only. Damage to the blade may occur.

Recommended procedure for corners or tight places is:

- a. Lift unit up
 - b. Back up into corner or other tight areas
 - c. Lower blade to ground and proceed going forward
5. Do not cross a ditch at a 90° angle (straight on). Damage to the blade and/or tractor may occur while crossing at a 90° angle. Always cross a ditch on a diagonal.



3.4 TRANSPORTING



TRANSPORT SAFETY

1. Make sure you are in compliance with all local regulations regarding transporting equipment on public roads and highways including lights, reflectors and the SMV.
2. Maximum transport speed for implement is 20 mph (32 kph). **DO NOT EXCEED**. Never travel at a speed which does not allow adequate control of steering and stopping. Reduce speed on rough roads and surfaces.
3. Do not allow anyone to ride on the implement or tractor during transport.
4. Sudden braking can cause a towed implement to swerve and upset.
5. **DO NOT** tow a load that is more than double the weight of the tractor.

When transporting the machine, review and follow these instructions:

1. Be sure all bystanders are clear of the machine.
2. A safety chain will help control towed implement should it separate from the tractor. **DO NOT** use safety chain for towing.
3. Be sure you have installed extra weights on the tractor if required.
4. Clean the SMV emblem, lights and reflectors and be sure they are working. Comply with all local regulations.
5. Carry implement low when moving or transporting.
6. Stay away from overhead power lines. Electrocution can occur without direct contact.
7. Be sure your machine can clearly be seen by overtaking and oncoming traffic.
8. Do not allow riders.
9. Always use hazard flashers on the tractor when transporting unless prohibited by law.

3.5 STORAGE



STORAGE SAFETY

1. Store the unit in an area away from human activity.
2. Do not permit children to play on or around the stored machine.
3. Store the unit in a dry, level area. Support the frame with planks if required.

After the season's use, the machine should be thoroughly inspected and prepared for storage. Repair or replace any worn or damaged components to prevent any unnecessary down time at the start of next season. To insure a long, trouble free life, this procedure should be followed when preparing the unit for storage:

1. Clear the area of bystanders, especially small children.
2. Thoroughly wash the machine using a pressure washer to remove all dirt, mud, debris and residue.
3. Inspect the implement for damage or entangled material. Repair or replace damaged parts. Remove all entangled material.
4. Touch up all paint nicks and scratches to prevent rusting. Spray the cutting edges with a rust inhibitor or paint to prevent rust.
5. Select an area that is dry, level, free of debris and away from human activity.
6. Inspect all nuts for tightness. Torque loose nuts to correct torque value.
7. If the machine cannot be placed inside, cover with a waterproof tarpaulin and tie securely in place.
8. Replace any decals that are worn or damaged.
10. Do not allow children to play on or around the stored implement.

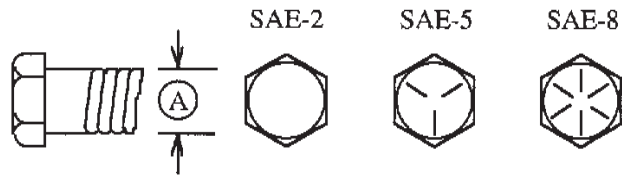
4 TORQUE SPECIFICATIONS

CHECKING BOLT TORQUE

The tables shown below give correct torque values for various bolts and capscrews. Tighten all bolts to the torques specified in chart unless otherwise noted. Check tightness of bolts periodically, using bolt torque chart as a guide. Replace hardware with the same strength bolt.

ENGLISH TORQUE SPECIFICATIONS

Bolt Diameter "A"	Bolt Torque *					
	SAE 2		SAE 5		SAE 8	
	N.m	(lb-ft)	N.m	(lb-ft)	N.m	(lb-ft)
1/4"	8	(6)	12	(9)	17	(12)
5/16"	13	(10)	25	(19)	36	(27)
3/8"	27	(20)	45	(33)	63	(45)
7/16"	41	(30)	72	(53)	100	(75)
1/2"	61	(45)	110	(80)	155	(115)
9/16"	95	(70)	155	(115)	220	(165)
5/8"	128	(95)	215	(160)	305	(220)
3/4"	225	(165)	390	(290)	540	(400)
7/8"	230	(170)	570	(420)	880	(650)
1"	345	(225)	850	(630)	1320	(970)

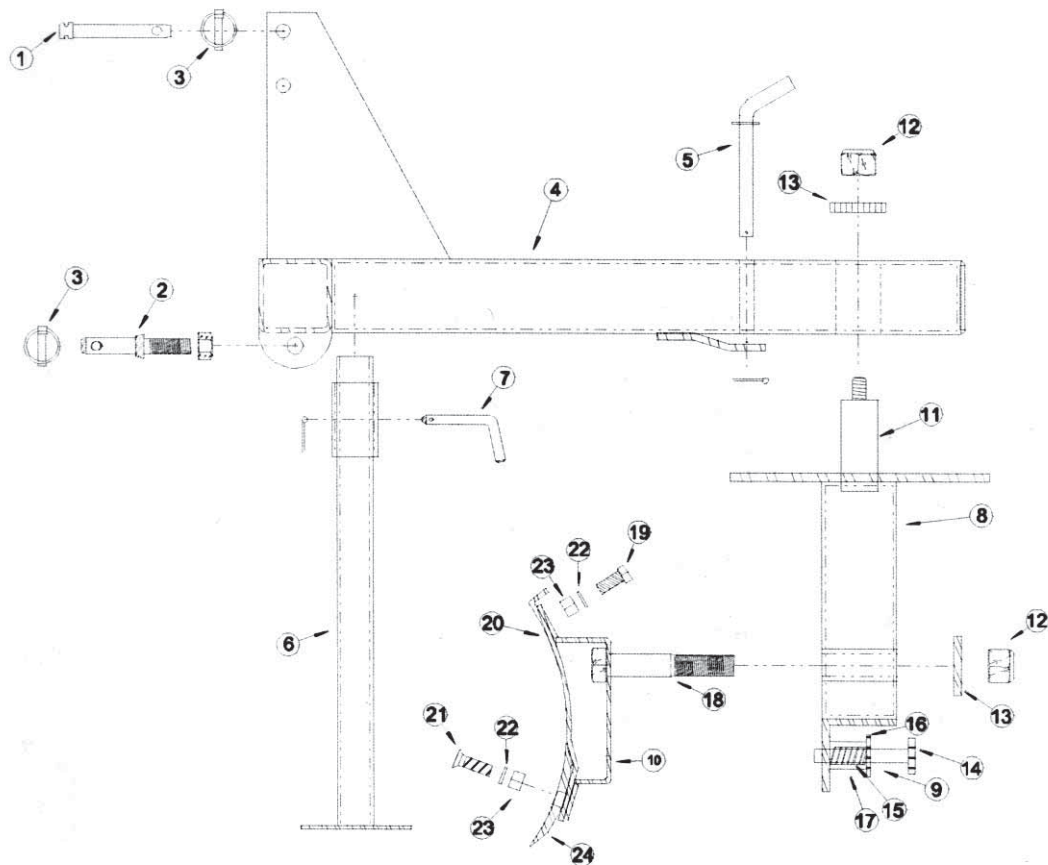


Torque figures indicated above are valid for non-greased or non-oiled threads and heads unless otherwise specified. Therefore, do not grease or oil bolts or capscrews unless otherwise specified in this manual. When using locking elements, increase torque values by 5%.

* Torque value for bolts and capscrews are identified by their head markings.

5 MACHINE COMPONENTS

5.1 PARTS DIAGRAM GB5, 6, & 7



5.2 PARTS LIST

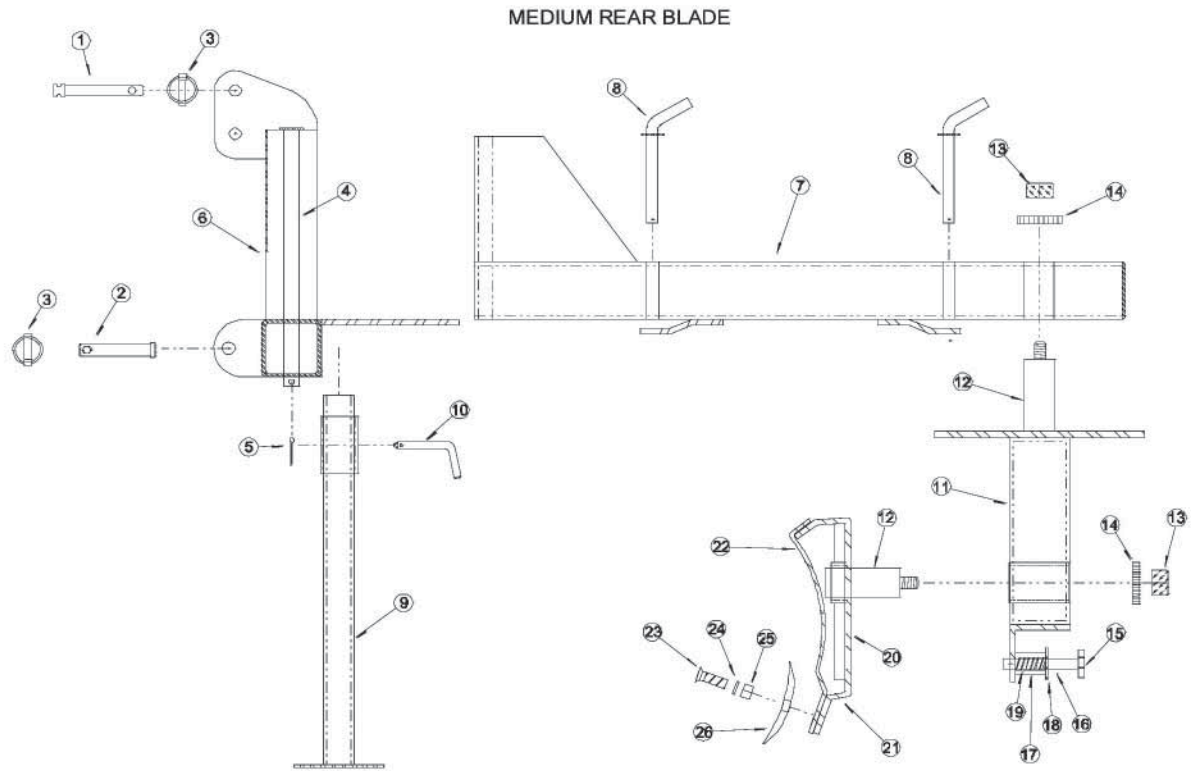
<u>REF. #</u>	<u>QTY.</u>	<u>PART NO.</u>	<u>DESCRIPTION</u>
1	1	P075500C1TL	Cat. I Top Link Pin
2	2	P078175C1MP	Cat. I Implement Pin
3	3	P716175LY	Lynch Pin $7/16$ " x $1 3/4$ "
4	1	BM038A	Boom Assembly (includes 3-pt. and boom)
5	1	R04134A	Swivel Pin
6	1	T01201A	Jack Stand Assembly (tube w/foot)
7	1	P050300BL	Jack Stand Pin (w/hair pin)
8	1	PD131A	Pedestal Assy (includes pedestal tube w/swivel plate, king pin w/hardware, and tilt lock pin assy.)
9	1	R04671A	Tilt Lock Pin Assy (includes tilt pin, sleeve, spring, & washer)
10	1	P02213A	Small Tilt Plate Assy (includes tilt bolt w/nut & washer, and tilt plate)
11	1	R14RB01*	Pedestal King Pin
12	2	N125L*	King/Tilt Pin $1 1/4$ " Lock Nut
13	2	P02043*	King/Tilt Pin Washer ($3/8$ " plate)
14	1	R046711A*	Tilt Lock Pin
15	1	S075200COM*	Lock Pin Compression Spring
16	1	W075L*	$3/4$ " Lock Washer
17	1	X174011*	Lock Pin Sleeve
18	1	B125700*	Tilt Pin
19	2	B058150	Tilt Plate Bolt
20	1	P014913	GB5 Moldboard Assy.
20	1	P014914	GB6 Moldboard Assy.
20	1	P014915	GB7 Moldboard Assy.
21	As Req'd	B058200	$5/8$ " x 2" Plow Bolt
22	As Req'd	W058L	$5/8$ " Lock Washer Gr. 5
23	As Req'd	N058H	$5/8$ " Hex Nut Gr. 5
24	1	CE60	$59 1/2$ " Cutting Edge GB5
24	1	CE72	$71 1/2$ " Cutting Edge GB6
24	1	CE84	$83 1/2$ " Cutting Edge GB7

* Note: These parts are included in their appropriate assemblies as shown above, or they may be ordered separately under these part numbers.

QUANTITY CHART

<u>PART NO.</u>	<u>GB5</u>	<u>GB6</u>	<u>GB7</u>
B058200	5	6	7
W058L	7	8	9
N058H	7	8	9

5.3 PARTS DIAGRAM GB60, 70, & 80



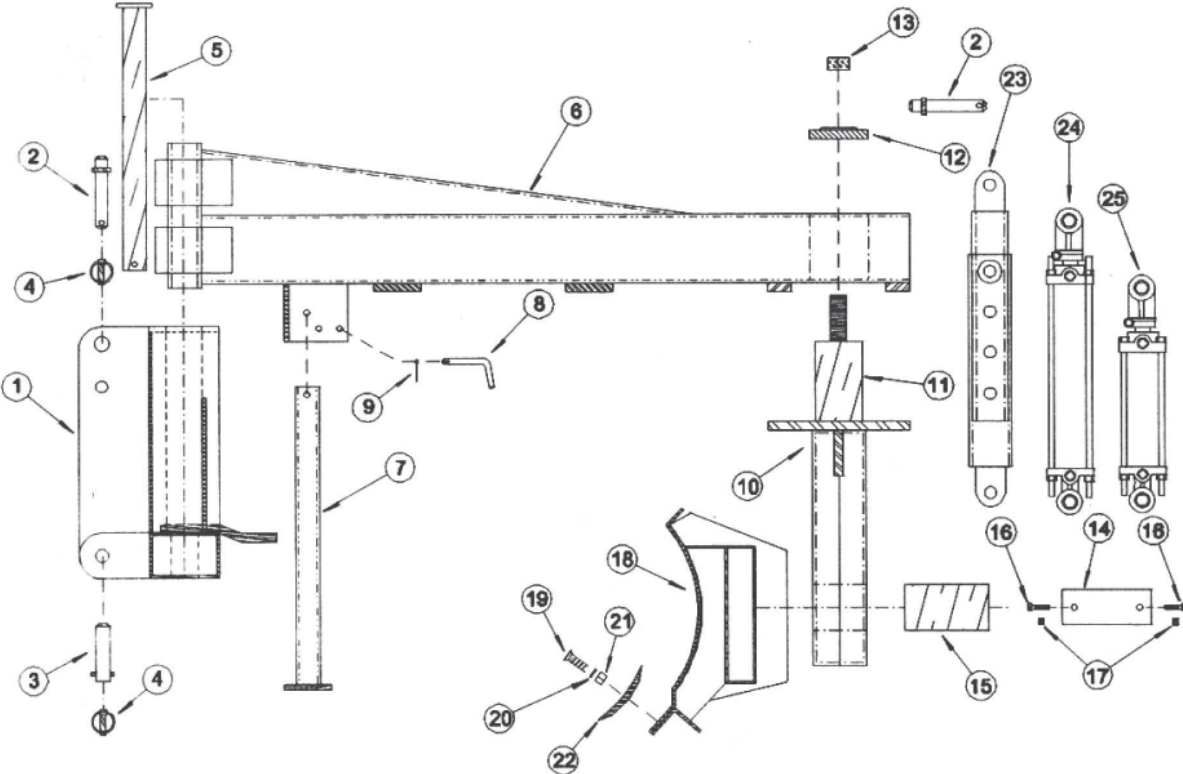
5.4 PARTS LIST

<u>REF. #</u>	<u>QTY.</u>	<u>PART NO.</u>	<u>DESCRIPTION</u>
1	1	P075500C1TL	Cat. I Top Link Pin
2	2	P078375C1D	Cat. I Draw Pin
3	3	P716175LY	Lynch Pin $\frac{7}{16}$ " x $1\frac{3}{4}$ "
4	1	R00404A	Main Shaft Assembly
5	1	P11	Hair Pin for Main Shaft Pin
6	1	F12401A1	3-Pt. Assembly (includes main beam, top link ears and draw ears - quick attach compatible)
7	1	BM042A	Boom Assy. (includes boom, mast & lock tabs)
8	2	R04134A	Swivel & Offset Pin w/Hair Pin
9	1	T01201A	Jackstand Assy (tube w/foot)
10	1	P050300BL	Jackstand Pin w/Hair Pin
11	1	PD131MA	Pedestal Assy. (includes king pin w/hardware, pedestal tube w/swivel plate and tilt lock pin assy.)
12	2	R14RB01*	King Pin/Tilt Pin
13	2	N125L*	King/Tilt Pin $1\frac{1}{4}$ " Lock Nut
14	2	P02043*	King/Tilt Pin Washer
15	1	R04671A	Tilt Lock Pin Assy. (includes lock pin, lock spring, washer and sleeve)
16	1	R046711A*	Lock Pin
17	1	S075200COM*	Lock Pin Compression Spring
18	1	W075L*	$\frac{3}{4}$ " Lock Washer
19	1	X174011*	Lock Pin Sleeve
20	1	P024151A	Tilt Plate Assy. (includes tilt plate & tilt pin w/hardware)
21	1	P024151*	Tilt Plate
22	1	P01420A	GB60 Moldboard Assy.
22	1	P01422A	GB70 Moldboard Assy.
22	1	P01423A	GB80 Moldboard Assy.
23	As Req'd	B058200	$\frac{5}{8}$ " x 2" Plow Bolt
24	As Req'd	W058L	$\frac{5}{8}$ " Lock Washer Gr. 5
25	As Req'd	N058H	$\frac{5}{8}$ " Hex Nut Gr. 5
26	1	CE72	$71\frac{1}{2}$ " Cutting Edge GB60
26	1	CE84	$83\frac{1}{2}$ " Cutting Edge GB70
26	1	CE96	$95\frac{1}{2}$ " Cutting Edge GB80

* Note: These parts are included in their appropriate assemblies as shown above, or they may be ordered separately under these part numbers.

QUANTITY CHART			
<u>PART NO.</u>	<u>GB60</u>	<u>GB70</u>	<u>GB80</u>
B058200	6	7	8
W058L	6	7	8
N058H	6	7	8

5.5 PARTS DIAGRAM GB800, 900, & 1000



5.6 PARTS LIST

<u>REF. #</u>	<u>QTY.</u>	<u>PART NO.</u>	<u>DESCRIPTION</u>
1	1	P034103A	3-Pt. Assy (includes mast plate, offset plate, 3-pt. shaft, top link ears, crossmember, draw ears, top link pin, & draw pins)
2	1	P100500C2TL	Cat. II Top Link Pin
3	2	P118500C2D	Cat. II Draw Pin
4	3	P716175LY	Lynch Pin
5	1	R084106	3-Point Shaft
6	1	T184101A	Boom Assy (includes boom, mast & lock tabs, lock pins and jack stand)
7	1	T015113A	Jack Stand (includes tube and foot)
8	1	P050300BL	Jack Stand Pin
9	1	P11	Hair Pin
10	1	C055120A	Pedestal Assy (includes pedestal w/king pin)
11	1	R115171A*	Pedestal King Pin
12	1	P055106	Large Rear Blade King Pin Washer
13	1	N125L	1 1/4" Lock Nut
14	1	F125211	Tilt Pin Keeper Plate
15	1	R115101	Large RB Tilt Pin
16	2	B038150	3/8" x 1 1/2" Bolt For Keeper Plate
17	2	N038L	3/8" Lock Nut
18	1	P015100A	GB800 Moldboard Assy. (includes moldboard w/cutting edge)
18	1	P015111A	GB900 Moldboard Assy. (includes moldboard w/cutting edge)
18	1	P015122A	GB1000 Moldboard Assy. (includes moldboard w/cutting edge)
19	As Req'd	B058200P	5/8" x 2" Plow Bolt
20	As Req'd	N058H	5/8" Hex Nut For Plow Bolt
21	As Req'd	W058L	5/8" Lock Washer For Plow Bolt
22	1	CE96	96" Double Beveled Cutting Edge GB800
22	1	CE108	108" Double Beveled Cutting Edge GB900
22	1	CE120	120" Double Beveled Cutting Edge GB1000
23	2	ML314*	3" x 14" Mechanical Links for Swing & Offset
23	1	ML38*	3" x 8" Mechanical Link for Tilt
24	2	C314*	3" x 14" Hydraulic Cylinder for Swing & Offset
25	1	C38*	3" x 8" Hydraulic Cylinder for Tilt

Note: * Mechanical links and hydraulic cylinders can be mixed and matched in combination for swing, offset, and tilt.

Note: Hydraulic hose kits are available

QUANTITY CHART

<u>PART NO.</u>	<u>GB60</u>	<u>GB70</u>	<u>GB80</u>
B058200P	8	9	10
W058L	8	9	10
N058H	8	9	10

7 LIMITED WARRANTY



GEARMORE, INC., warrants each new Gearmore product to be free from defects in material and workmanship for a period of twelve (12) months from date of purchase to the original purchaser. This warranty shall not apply to implements or parts that have been subject to misuse, negligence, accident, or that have been altered in any way.

Our obligation shall be limited to repairing or replacement of any part, provided that such part is returned within thirty (30) days from date of failure to Gearmore through the dealer from whom the purchase was made, transportation charges prepaid.

This warranty shall not be interpreted to render us liable for injury or damages of any kind or nature, direct, consequential or contingent, to person or property. This warranty does not extend to loss of crops, loss because of delay in harvesting or any other expenses, for any other reasons.

Gearmore in no way warrants engines, tires, or other trade accessories, since these items are warranted separately by these respective manufacturers.

Gearmore reserves the right to make improvements in design or changes in specification at any time, without incurring any obligations to owners or units previously sold.

GEARMORE, INC.
13477 Benson Ave.
Chino, CA 91710

Always refer to and heed machine operating warning decals on machine.

The serial number of this product is stored in our computer database, thus submitting a warranty registration card is not required.