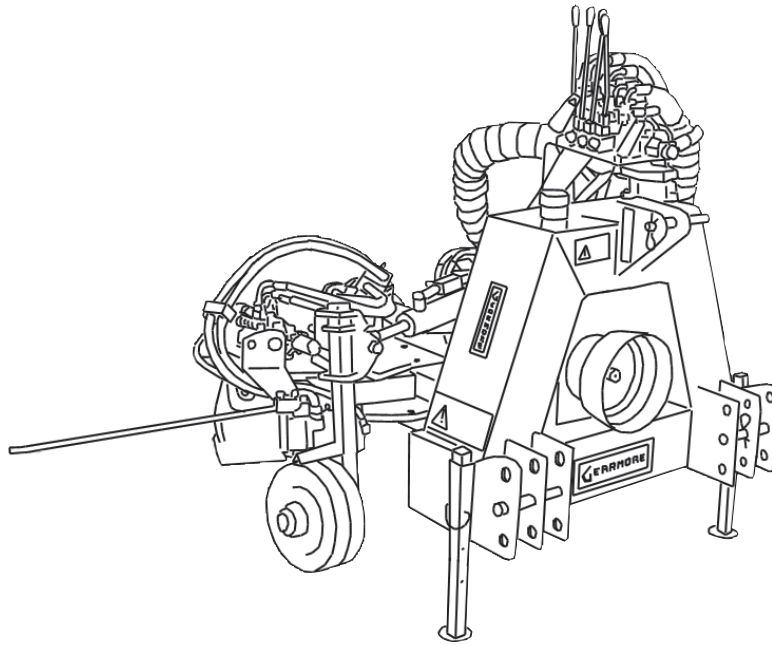


GEARMORE INC.

SPEDOVATORS

NARROW ROW - DOUBLE PUMP



Parts Manual

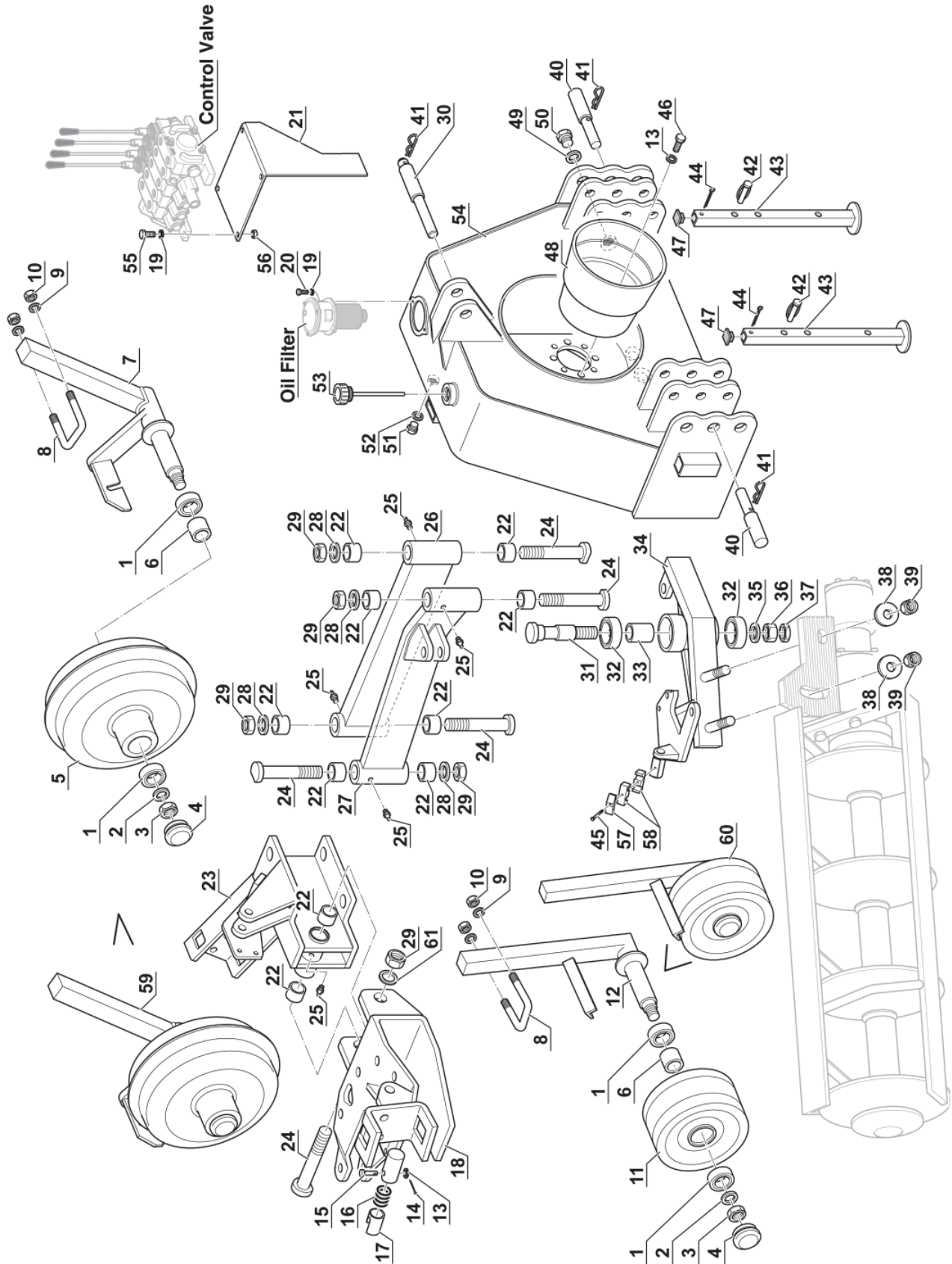
For Models R5114 & R5115

August 2008

TABLE OF CONTENTS

SECTION	DESCRIPTION	PAGE
1	Chassis Components	1
1.1	Part Numbers - Chassis	2 - 3
2	Rod Regulator Components.....	4
2.1	Part Numbers - Rod Regulator	5
3	Distributor Components.....	6
3.1	Part Numbers - Distributor.....	6
4	Hydraulic Components	7
4.1	Part Numbers - Hydraulics	8
4.2	Hydraulic Components	9
4.3	Part Numbers - Hydraulics	10
5	Cylinder Components.....	11
5.1	Part Numbers - Cylinder.....	12
6	Plow Rake Components.....	13
6.1	Part Numbers - Plow Rake.....	14
7	Valve Components	15
7.1	Part Numbers - Valve.....	16
8	Plant Cleaner Blade Components	17
8.1	Part Numbers - Cleaner Blade.....	17
9	Leveler Blade Components	18
9.1	Part Numbers - Leveler Blade	18
10	Cutter Blade Components.....	19
10.1	Part Numbers - Cutter Blade.....	20
11	Plow Share Components	21
11.1	Part Numbers - Plow Share	22
12	Rotating Cutter Components	23
12.1	Part Numbers - Rotating Cutter.....	24
13	Rotating Brush Components	25
13.1	Part Numbers - Rotating Brush.....	26
14	Limited Warranty.....	27

1 CHASSIS COMPONENTS



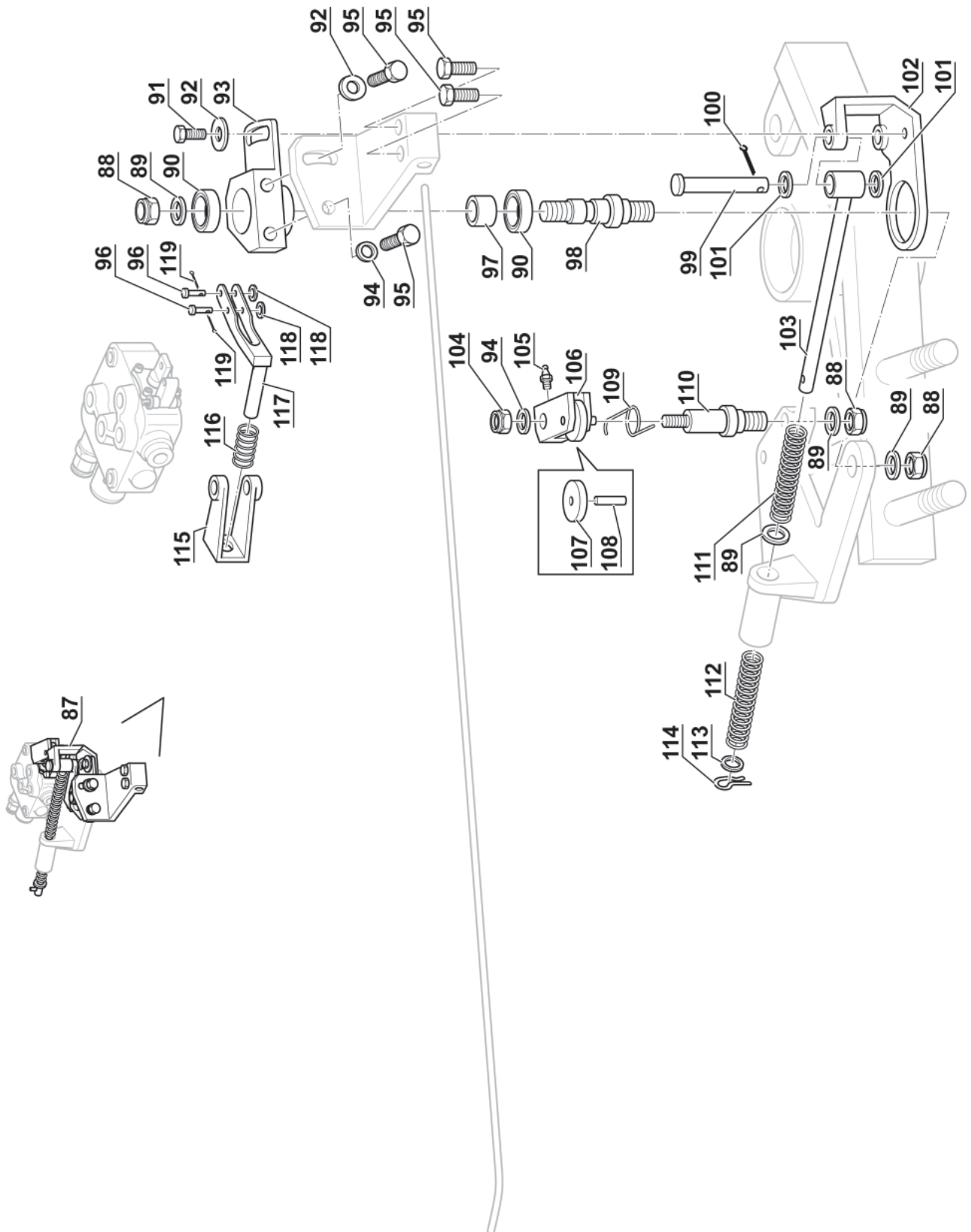
1.1 PART NUMBERS - CHASSIS

<u>REF #</u>	<u>PART NUMBER</u>	<u>DESCRIPTION</u>
1	M6C62060RS	Bearing
2	M2RONP1020	Flat Washer
3	M2DEA01M20	Nut
4	M40101C062	Cap
5	M40101R310	Wheel
6	0101511	Distance Piece
7	0601087	Wheel Support
8	0675510	Connecting Plate
9	M2RONP1Z16	Flat Washer
10	M2DENZ1M16	Nut
11	M40101R253	Wheel
12	0144086	Wheel Support
13	M2RONP1010	Flat Washer
14	M2COP00325	Pin
15	0103504	Eccentric Pin Plug
16	0103521	Eccentric Pin Spring
17	0103514	Eccentric Pin
18	0501069	Head
19	M2RONP1Z08	Flat Washer
20	M2TEZ08020	Screw
21	0501073	Support Bracket
22	M6B3038030	Bushing
23	0601062	Head Support Staffs
24	2501501	Boom Fixing Pin
25	M2INGM8125	Greasing Nipple
26	0601064	Left Boom
27	0601063	Right Boom
28	M2RONP1027	Flat Washer
29	M2DEAF1M27	Nut
30	0101062	Plug
31	0101506	Plug
32	M6C63060RS	Bearing
33	0101507	Distance Piece
34	0101060	Distributor Carrier Boom
35	M2RONP1030	Flat Washer
36	M2DESF2M30	Nut
37	M2DENF3M30	Nut
38	0102503	Knurled Washer
39	M2DENZ1M20	Nut
40	M4S3601063	Plug
41	M2COPLA004	Pin
42	M2COPMO008	Snap Pin
43	0501056	Support Foot

1.1 PART NUMBERS - CHASSIS (continued)

<u>REF #</u>	<u>PART NUMBER</u>	<u>DESCRIPTION</u>
44	M2COPZ0650	Pin
45	M2TEZ08045	Screw
46	M2TEZ10030	Screw
47	M8TQ300	Square Plug
48	M8CF001	Counterhood
49	M5RB00001	Bonded Washer
50	M50603591	Blind Plug
51	M5TM00012	Blind Plug
52	M5RB00012	Bonded Washer
53	M50103504	Oil Level Plug
54	0601066	Frame
55	M2TEZ08035	Screw
56	M2DEA01M08	Nut
57	M5CDC2200	Collar Platelet
58	M5CDE2200	Collar
59	0601022	Completed Wheel
60	0144014	Completed Wheel
61	M2RONP1Z27	Flat Washer

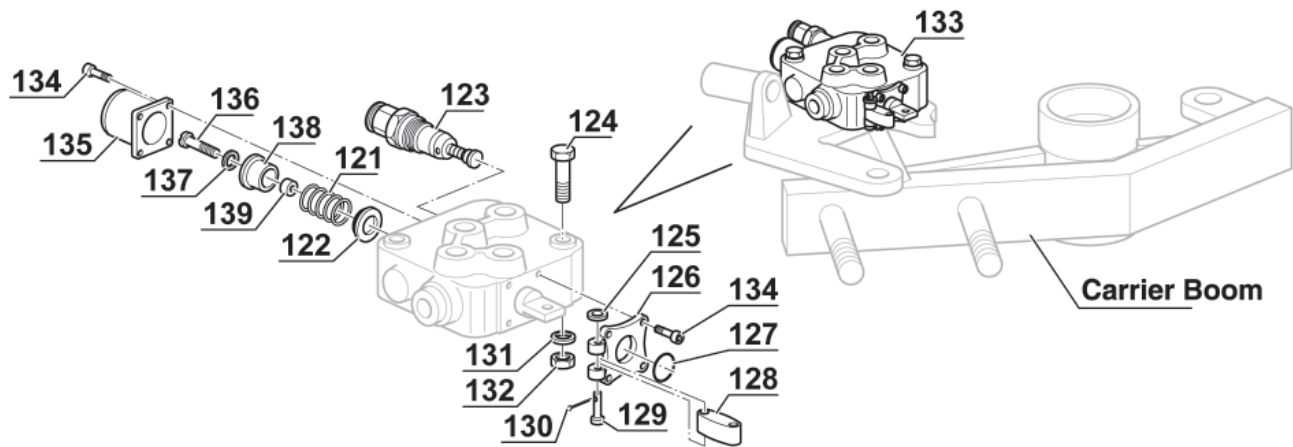
2 ROD REGULATOR COMPONENTS



2.1 PART NUMBERS - ROD REGULATOR

<u>REF #</u>	<u>PART NUMBER</u>	<u>DESCRIPTION</u>
87	0103002	Complete Rod Regulator
88	M2DEA01M14	Nut
89	M2RONP1Z14	Flat Washer
90	M6C62020RS	Bearing
91	M2TEZ12040	Screw
92	0101514	Washer
93	0103510	Support
94	M2RONP1Z12	Flat Washer
95	M2TEZ12025	Screw
96	0103518	Plug for Biscuit
97	0103507	Distance Piece
98	0103508	Pin
99	0103517	Tie-Rod Coupling Plug
100	M2COP00325	Pin
101	M2RONP1010	Flat Washer
102	0103516	Adjustment Staff
103	0103051	Tie Rod
104	M2DEAF1M12	Nut
105	M2INGM8125	Greasing Nipple
106	0103001	Complete Ratchet
107	0103515	Roller
108	M2SSP10045	Spirol Plug
109	0103525	Ratchet Retainer Spring
110	0103511	Pin
111	0103522	Threaded Spring 2
112	0103524	Threaded Spring 3
113	M2RONP1Z15	Flat Washer
114	M2COPLA05B	Pin
115	0103513	Bracket
116	0103520	Threaded Spring 3
117	0103512	Fork
118	M2RONP1Z06	Flat Washer
119	M2COP00220	Pin

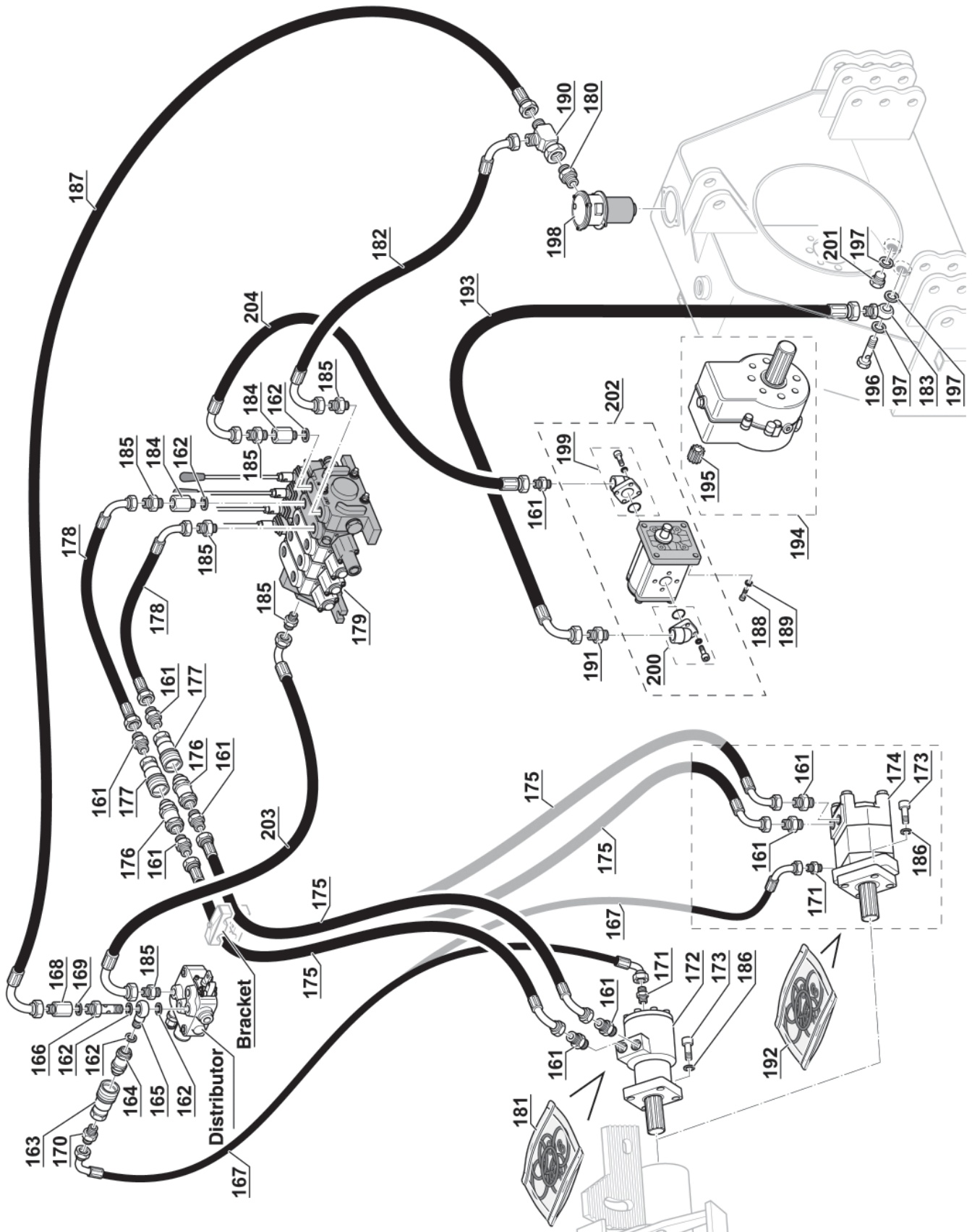
3 DISTRIBUTOR COMPONENTS



3.1 PART NUMBERS - DISTRIBUTOR

<u>REF #</u>	<u>PART NUMBER</u>	<u>DESCRIPTION</u>
121	M50103016	Recall Spring
122	M50103015	Low Spring Disc
123	M5VMD2100	Complete Valve
124	M2TEZ08070	Screw
125	M2RONP1Z06	Flat Washer
126	M50103018	Distributor Flange
127	M50103019	OR Distributor
128	M50103023	Biscuit
129	0103519	Plug for Flange
130	M2COP00220	Pin
131	M2MDE18091	Cup Spring
132	M2DEA01M08	Nut
133	M50103001	Distributor
134	M2TCE05016	Screw
135	M50103011	Distributor Cap
136	M50103014	Screw
137	M50103013	Flat Washer
138	M50103017	Upper Spring Disc
139	M50103012	Distance Piece

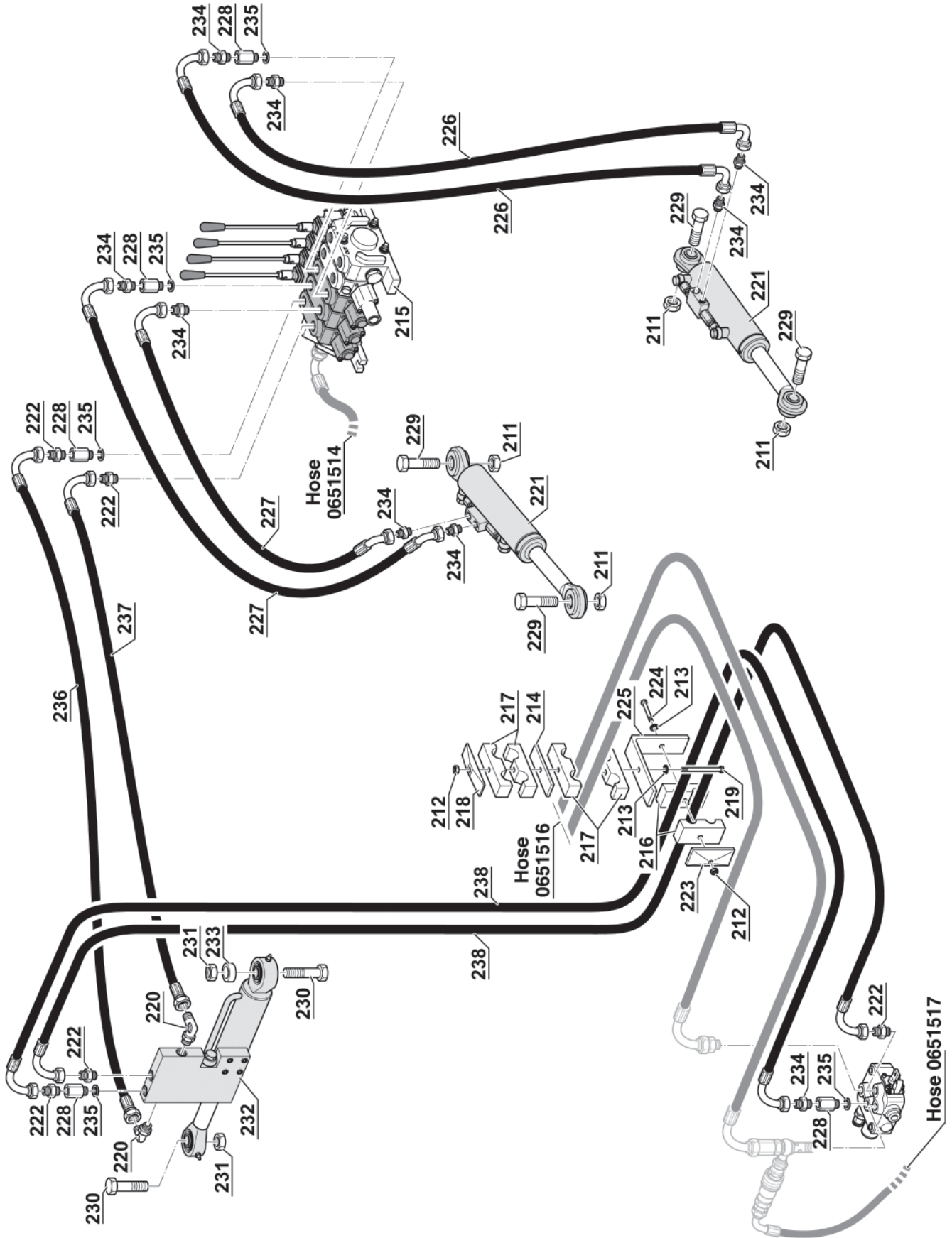
4 HYDRAULIC COMPONENTS



4.1 PART NUMBERS - HYDRAULIC COMPONENTS

<u>REF #</u>	<u>PART NUMBER</u>	<u>DESCRIPTION</u>
161	M5JR07812	Reducer
162	M5RB0038	Bonded Washer
163	M51R31F38	Rapid Coupling F
164	M51R31M38	Rapid Coupling M
165	M5ROF1M40	Eye Coupling
166	M5BUCA338	Hollow Screw
167	0651517	Tube
168	M5JK07812	Coupling
169	M5RB00012	Bonded Washer
170	M5JR91638	Reducer
171	M5JR91614	Reducer
172	M5MO1D008	Orbital Motor
173	M2TCE10035	Screw
174	M5MO1D009	Orbital Motor
175	0651516	Tube
176	M51R31M12	Rapid Coupling M
177	M51R31F12	Rapid Coupling F
178	0651512	Tube
179	M5DE00022	Distributor
180	M5JR07834	Reducer
181	M5EM00003	ARS Gasket Kit
182	1651503	Tube
183	M5JO56M56	Eye Coupling
184	M5R138MF2	Coupling
185	M5JR07838	Reducer
186	M2RONGRP10	Grower Washer
187	0651513	Tube
188	M2TCE08025	Screw
189	M2RONP1Z08	Flat Washer
190	M5J078MMF	T-Coupling
191	M5JR91634	Reducer
192	M5EM00001	EPMS Gasket Kit
193	0651501	Tube
194	M50503304	Multiplier
195	M50503400	Half-Coupling
196	M5BUCA001	Hollow Screw
197	M5RB00001	Bonded Washer
198	M50103304	Oil Filter
199	M5FL90012	Flange
200	M5FL90034	Flange
201	M50603591	Blind Plug
202	M50503150	Pump Complete with Flange
203	0651514	Tube
204	0651502	Tube

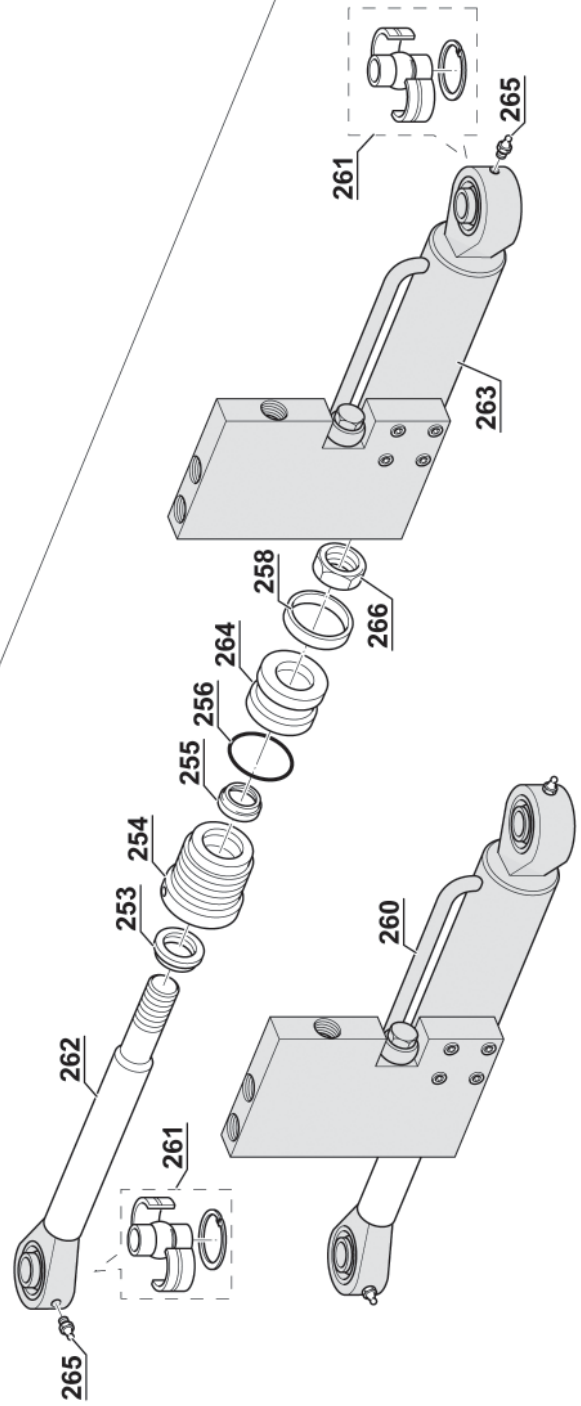
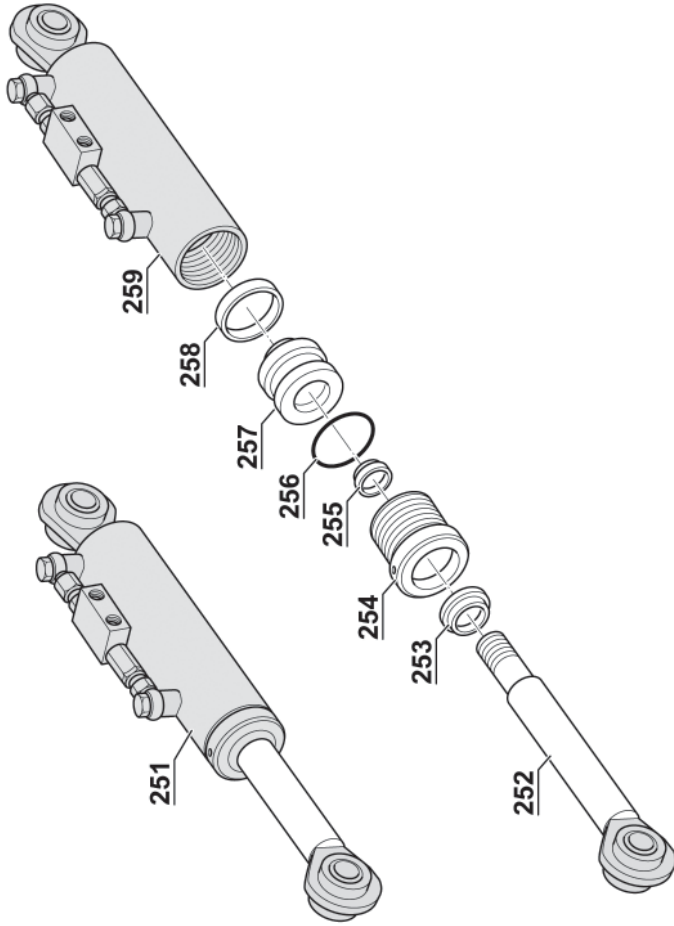
4.2 HYDRAULIC COMPONENTS (Continued)



4.3 PART NUMBERS - HYDRAULIC COMPONENTS (continued)

<u>REF #</u>	<u>PART NUMBER</u>	<u>DESCRIPTION</u>
211	M2DEA01M20	Nut
212	M2DEA01M08	Nut
213	M2RONP1Z08	Flat Washer
214	M5CDP2200	Platelet
215	M5DE00022	Distributor
216	M5CDE1800	Collar
217	M5CDE2200	Collar
218	M5CDC2200	Collar Platelet
219	M2TEZ08100	Screw
220	M5JG03438	L Coupling
221	0603515	Lifting Cylinder
222	M5JR03438	Reducer
223	M5CDC1800	Collar Platelet
224	M2TE008050	Screw
225	1501504	Bracket
226	0651519	Tube
227	0651510	Tube
228	M5R138MF2	Coupling
229	M2TEZ20100	Screw
230	0101505	Cylinder Fixing Screw
231	M2DEZF2M18	Nut
232	0103559	Cylinder
233	0103568	Distance Piece
234	M5JR91638	Reducer
235	M5RB00038	Bonded Washer
236	0651518	Tube
237	0651515	Tube
238	0651509	Tube

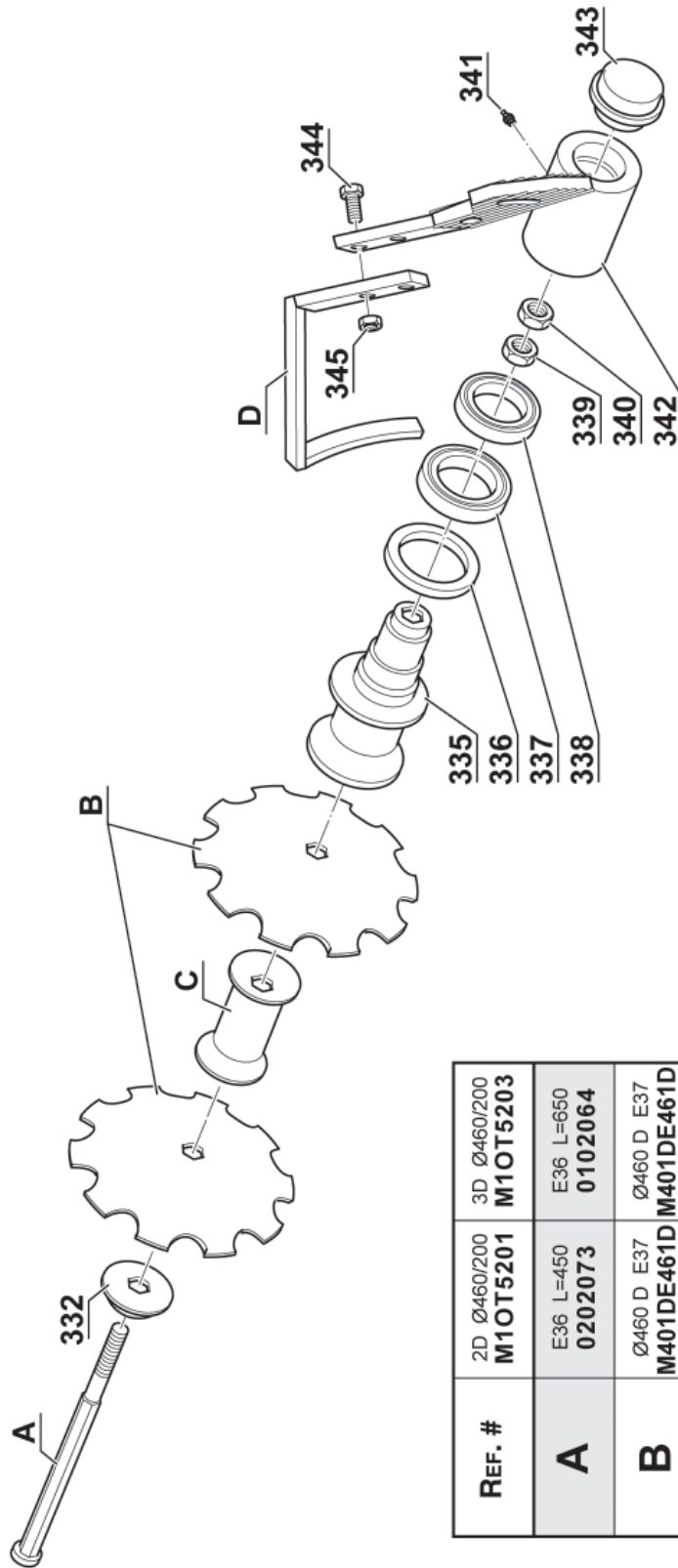
5 CYLINDER COMPONENTS



5.1 PART NUMBERS - CYLINDER

<u>REF #</u>	<u>PART NUMBER</u>	<u>DESCRIPTION</u>
251	0603515	Lifting Cylinder
252	M50203223	Cylinder Rod
253	M50103213	Ring
254	M50103212	Sleeve
255	M50103211	Ring
256	M50103218	OR Sleeve
257	M50103217	Piston
258	M50103216	Ring
259	M50203224	Cylinder Pipe
260	0103559	Cylinder D.E.
261	M50103256	Spherical Joint Kit
262	M50103254	Cylinder Rod D.E.
263	M50103257	Cylinder Pipe D.E.
264	M50103259	Piston
265	M2INGM8125	Greasing Nipple
266	M2DENF3M20	Nut

6 PLOW RAKE COMPONENTS

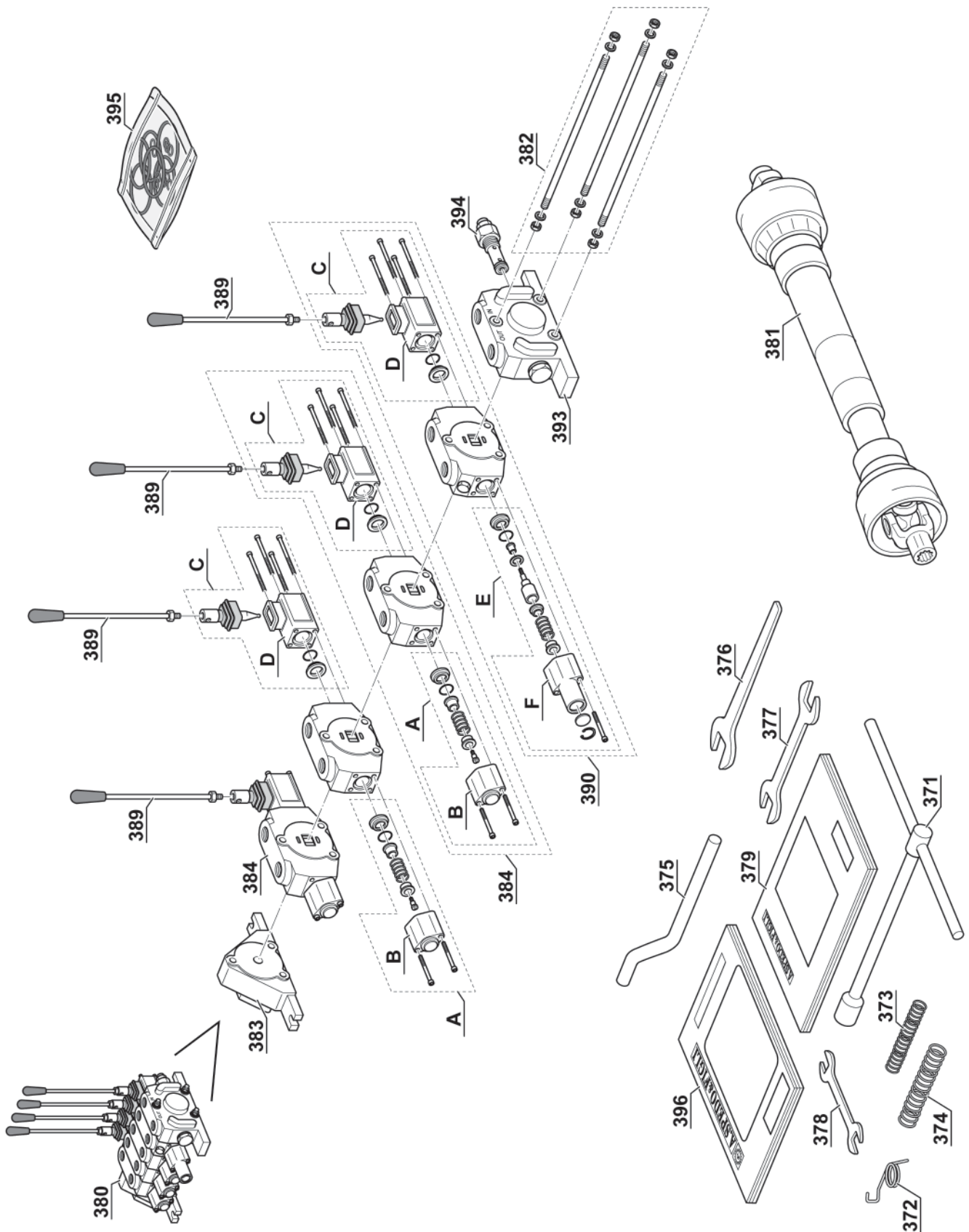


REF. #	2D Ø460/200 M10T5201	3D Ø460/200 M10T5203
A	E36 L=450 0202073	E36 L=650 0102064
B	Ø460 D E37 M401DE461D	Ø460 D E37 M401DE461D
C	Mod. 200 E37 M4SLGA2001	Mod. 200 E37 M4SLGA2001
D	0202057	0102057

6.1 PART NUMBERS - PLOW RAKE

<u>REF #</u>	<u>PART NUMBER</u>	<u>DESCRIPTION</u>
331	A	Plow Rake Pin
332	M4SARF3705	Disc Holding Washer
333	B	Plow Rake Disc
334	C	Distance Piece
335	0102051	Bearing Holder Spacer
336	M6A6209010	Seal Ring
337	M6C6210000	Bearing
338	M6C6307000	Bearing
339	M2DESF2M27	Nut
340	M2DENF3M27	Nut
341	M2INGM8125	Greasing Nipple
342	0102053	Plow Rake Support
343	M40102C080	Cap
344	M2TE014050	Screw
345	M2DEN01M14	Nut
346	D	Plow Rake Ground Leveller

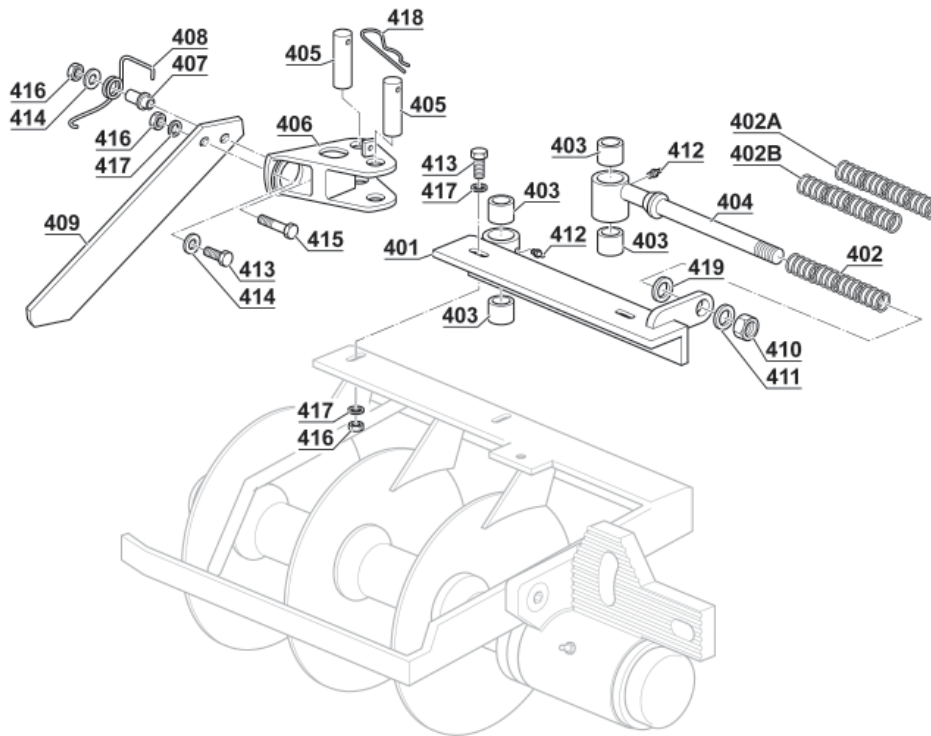
7 VALVE COMPONENTS



7.1 PART NUMBERS - VALVE

<u>REF #</u>	<u>PART NUMBER</u>	<u>DESCRIPTION</u>
371	M8TRS07	Wrench
372	0103525	Jack Holder Spring
373	0103523	Threaded Spring
374	0103526	Threaded Spring
375	0201503	Plug
376	M8TRS02	Supplied Wrench
377	M8TRS04	Supplied Wrench
378	M8TRS01	Supplied Wrench
379		Use & Maintenance Handbook
380	M5DE00022	Distributor
381	M8AC1B2	Driveline
382	M5ED00003	Pull Rod Kit DCV30/4
383	M5ED00062	Output Block DCV 30
384	M5ED00031	Cylinder Control Element
A	M5ED00015	Cap Kit DCV 30
B	M5ED00102	Distributor Cap DCV 30
C	M5ED00010	Lever Kit DCV 30
D	M5ED00101	Support for DCV 30
389	M50103589	Distributor Lever
390	M5ED00041	Engine Control Element
E	M5ED00020	Coupling Kit
F	M5ED00103	Distributor Cap Coupling
393	M5ED00061	Input Block DCV 30
394	M50503021	Complete Valve
395	M5ED00024	Gasket Kit
396	M9C5073020	Parts Manual

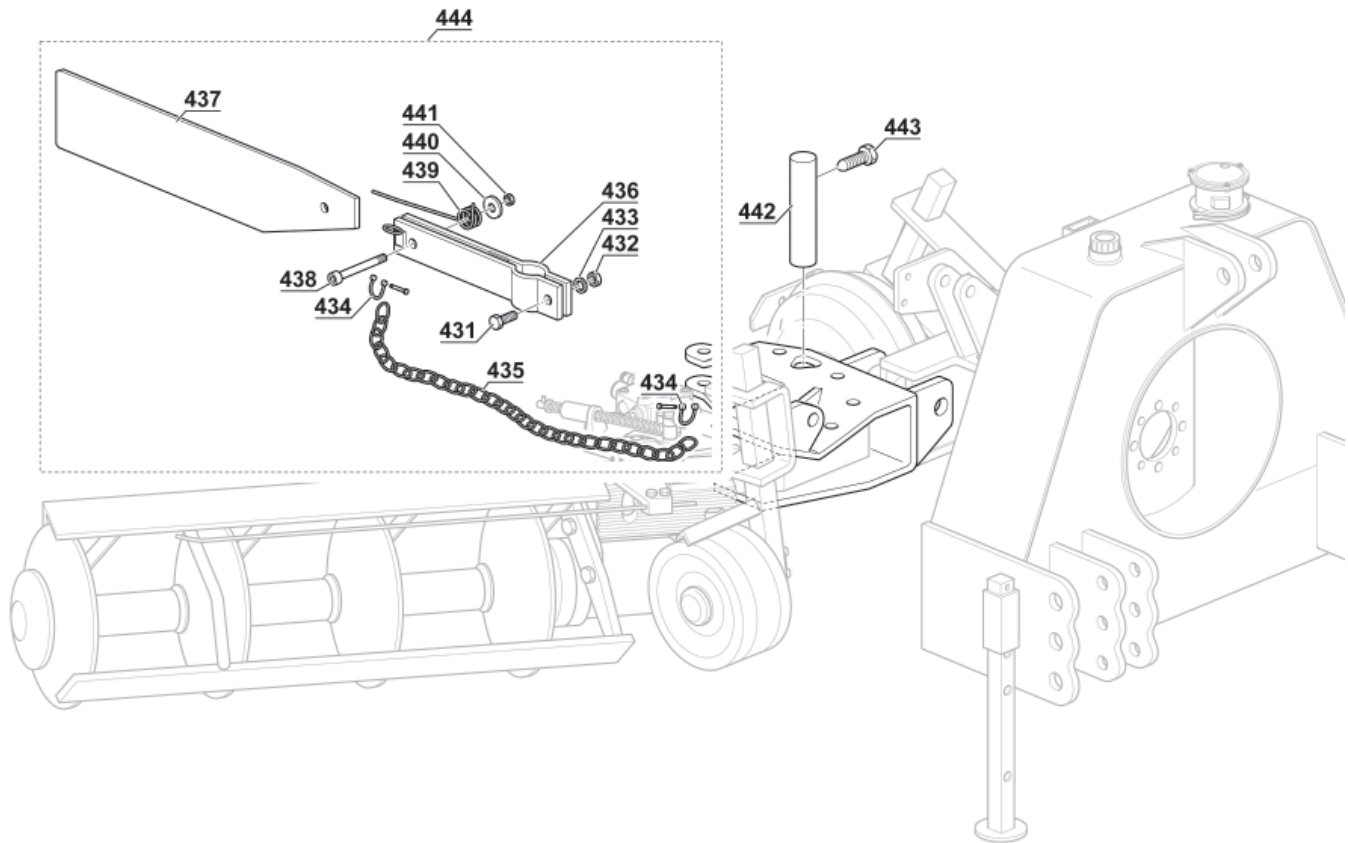
8 PLANT CLEANER BLADE COMPONENTS



8.1 PART NUMBERS - PLANT CLEANER BLADE

<u>REF #</u>	<u>PART NUMBER</u>	<u>DESCRIPTION</u>
401	0125051	Plant Cleaner Blade Coupling
402	RT00002881	Blade Spring
402A	RT00002882	Blade Spring
402B	RT00002883	Blade Spring
403	M6B2030020	Bushing
404	0125053	Spring Holder Pin
405	0125504	Plug
406	0125503	Fork
407	0125510	Spring Guide Pin
408	0125506	Spring
408A	0125505	Spring
409	0125511	Vane
409A	0125512	Vane
410	M2DEAF1M20	Nut
411	M2RONP1A20	Flat Washer
412	M2INGM8125	Greasing Nipple
413	M2TEZ12040	Screw
414	0101514	Washer
415	M2TEZ12070	Screw
416	M2DEA01M12	Nut
417	M2RONP1Z12	Flat Washer
418	M2COPLA005	Pin
419	M2RONP1Z20	Flat Washer

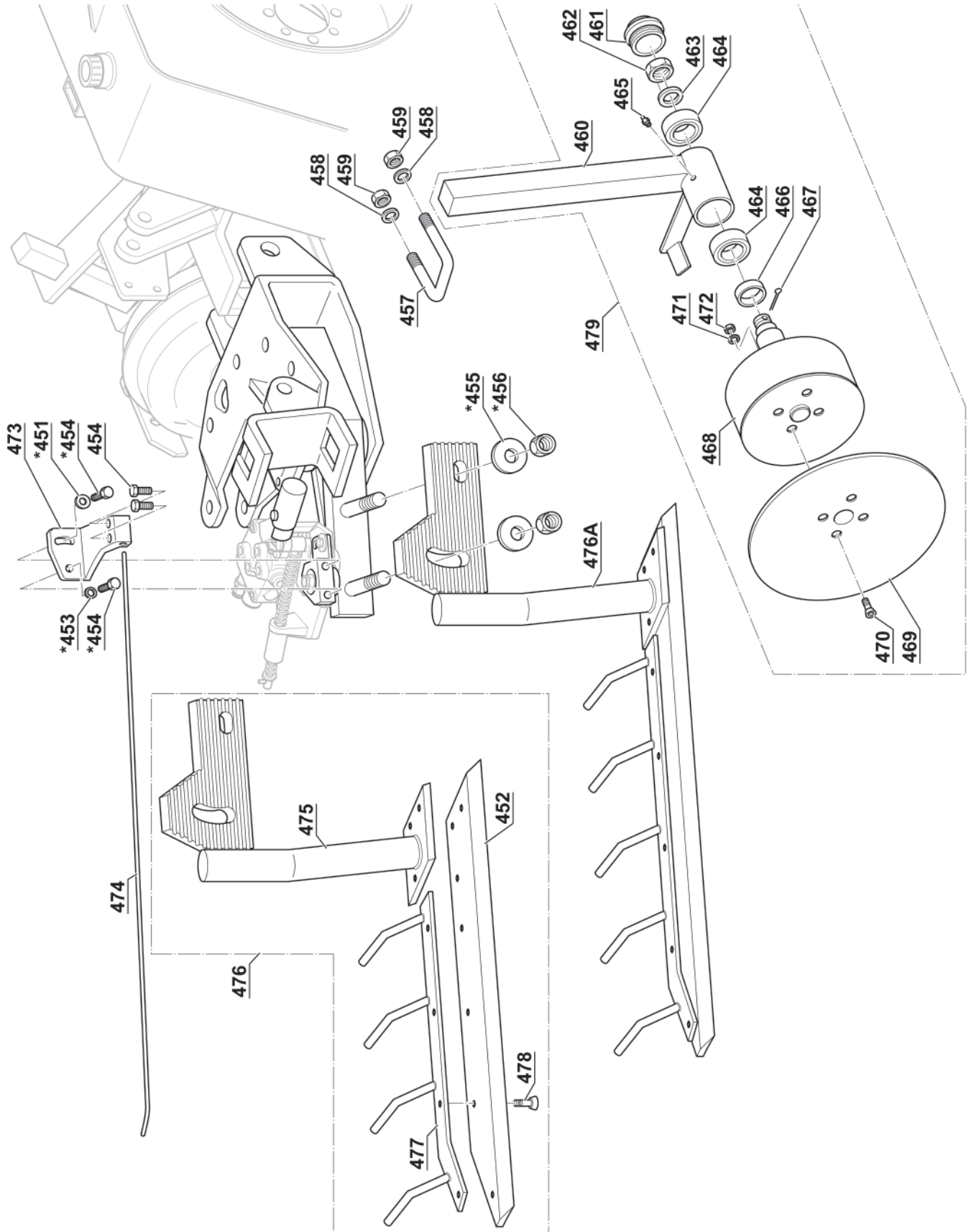
9 LEVELER BLADE COMPONENTS



9.1 PART NUMBERS - LEVELER BLADE

<u>REF #</u>	<u>PART NUMBER</u>	<u>DESCRIPTION</u>
431	M2TEZ20070	Screw
432	M2DENZ1M20	Nut
433	M2RONGR020	Grower Washer
434	M2GR000010	Straight Shackle
435	0127503	Chain
436	0127051	Staff
437	0127062	Plate x Ground Leveler Blade
438	M2TCE14100	Screw
439	0127501	Spring x Ground Leveler Blade
440	M2RONP1Z15	Flat Washer
441	M2DEA01M14	Nut
442	0501118	Blade Holder Stem
443	1001503	Lock Nut
444	M1OT0505	Round Leveler Blade

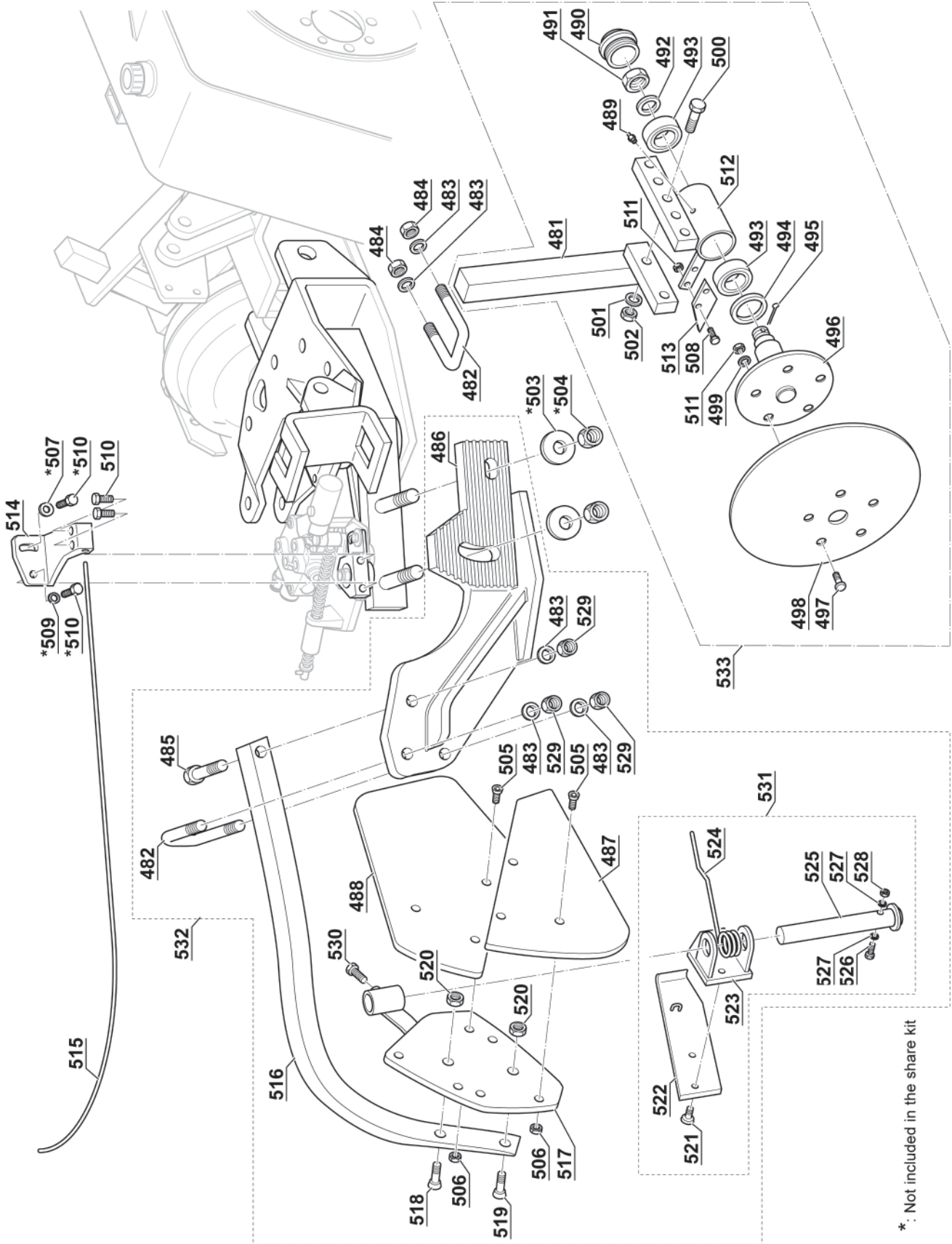
10 CUTTER BLADE COMPONENTS



10.1 PART NUMBERS - CUTTER BLADE

<u>REF #</u>	<u>PART NUMBER</u>	<u>DESCRIPTION</u>
451	0101514	Washer
452	M4LACL9163	Cutter Blade
452A	M4LACL9080	Cutter Blade
453	M2RONP1Z12	Galvanized Washer
454	M2TEZ12025	Screw
455	0102503	Knurled Washer
456	M2DENZ1M20	Nut
457	0675510	Connecting Plate
458	M2RONP1Z16	Flat Washer
459	M2DENZ1M16	Nut
460	0135060	Support for Scraper/Cutter Unit
461	M40103C062	Cap
462	M2DECF1M27	Crowned Nut
463	M2RONP1027	Flat Washer
464	M6C3220600	Roller Bearing
465	M2INGM8125	Greasing Nipple
466	M6A3506210	Seal Ring
467	M2COP00550	Pin
468	0135057	Disc - Carrier Pin
469	M44FD1320L	Disc 4 Holes
470	M2TSE10030	Screw
471	M2RONP1010	Flat Washer
472	M2DEN02M10	Nut
473	0103509	Rod Staff
474	0145563	Rod
474A	0145562	Rod
475	0135053	Shank
476	0135003	Cutter
476A	0135005	Cutter
477	0135054	Comb
477A	0136054	Comb
478	M2TSE12020	Screw
479	0135012	Complete Disc

11 PLOW SHARE COMPONENTS

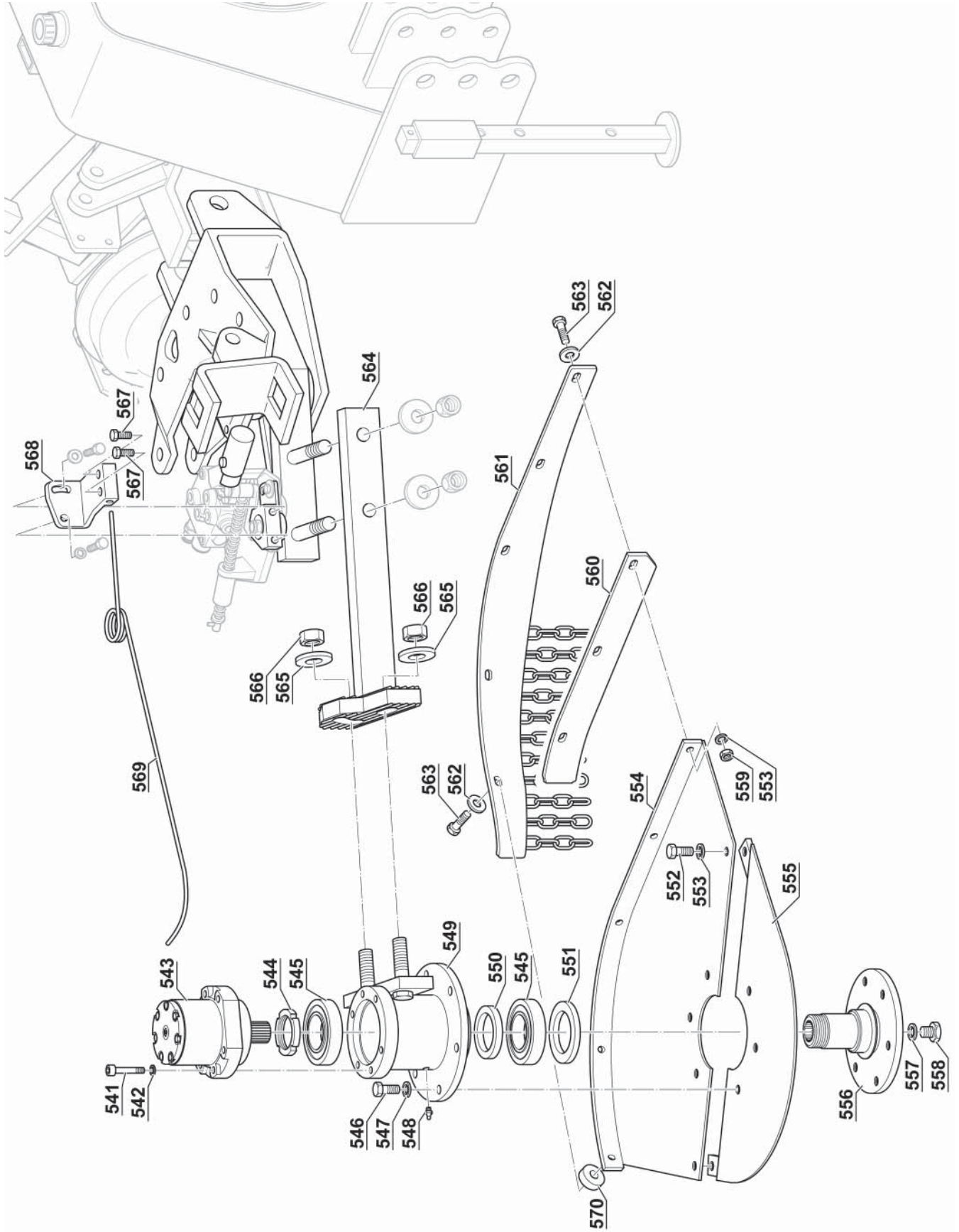


*: Not included in the share kit

11.1 PART NUMBERS - PLOW SHARE

<u>REF #</u>	<u>PART NUMBER</u>	<u>DESCRIPTION</u>
481	0126065	Disc Support Staff
482	0675510	Connecting Plate
483	M2RONP1Z16	Flat Washer
484	M2DENZ1M16	Nut
485	M2TEZ16080	Screw
486	0126058	Plow Beam Support Staff
487	1301501	Plow Share
488	1301502	Turn Furrow
489	M2INGM8125	Greasing Nipple
490	M40103C072	Cap
491	M2DECF1M27	DE Crowned Nut
492	M2RONP1027	Flat Washer
493	M6C3220700	Roller Bearing
494	M6A4507210	Seal Ring
495	M2COP00550	Pin
496	1001051	Disc Unit Disc - Holder Pin
497	M2T [*] TDE1235	Bolt
498	M45FD1410L	Disc 5 Holes
499	M2RONP1012	Flat Washer
500	M2TEZ20090	Screw
501	M2RONGR020	Grower Washer
502	M2DENZ1M20	Nut
503	0102503	Knurled Washer
504	M2DENZ1M20	Nut
505	M2TSE10030	Screw
506	M2DEN02M10	Nut
507	0101514	Washer
508	M2TE012030	Screw
509	M2RONP1Z12	Galvanized Washer
510	M2TEZ12025	Screw
511	M2DEN02M12	Nut
512	1001064	Support
513	1001531	Scraper
514	0103509	Rod Staff
515	0126503	Rod
516	1301521	Plow Beams
517	1301061	Plow Share Support Plate
518	M2TSE12070	Screw
519	M2TSE12050	Screw
520	M2DEM00M12	DE Metal Block Nut
521	M2TSE12020	Screw
522	1301157	Vane
523	1301095	Fork
524	1003507	Spring
525	1301156	Pin
526	M2TEZ10060	Galvanized Screw
527	M2RONP1010	Flat Washer
528	M2DEA01M10	DE UpperSelf-Lock Nut
529	M2DEA01M16	Nut
530	0101503	Lock Nut
531	M1OA0110	Plant Cleaner Blade
532	0126010	Plow Share
533	0126009	Complete Disc

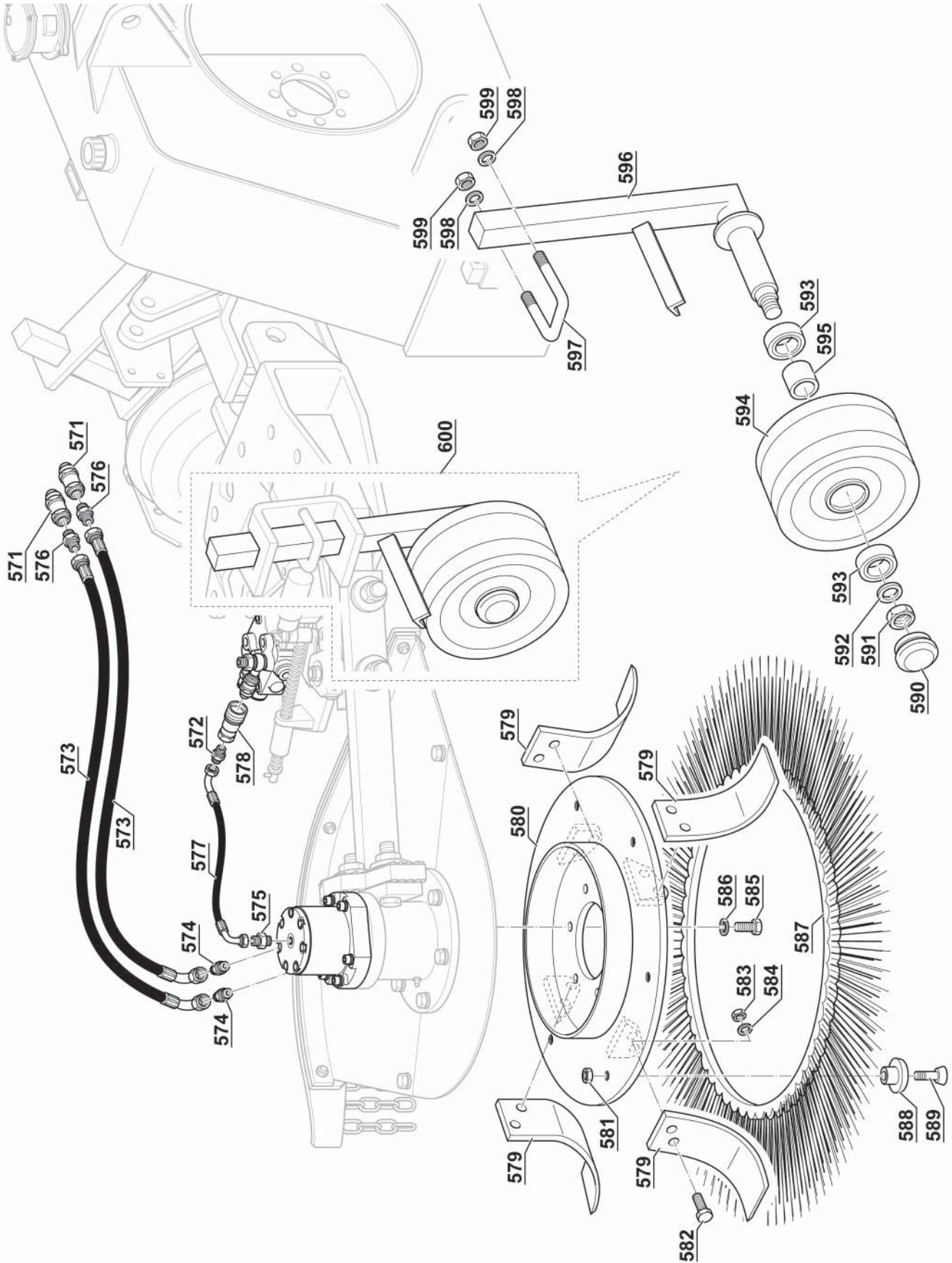
12 ROTATING CUTTER COMPONENTS



12.1 PART NUMBERS - ROTATING CUTTER

<u>REF #</u>	<u>PART NUMBER</u>	<u>DESCRIPTION</u>
541	M2TCE08040	Screw
542	M2RONGR008	Grower Washer
543	M5MO1D15	Motor
544	M2GHA05015	Self Locking Nut
545	M6C6210000	Bearing
546	M2TE010025	Screw
547	M2RONCT010	Contact Washer
548	M2INGM8125	Greasing Nipple
549	0144063	Support
550	0144501	Distance Piece
551	M6A6209010	Seal Ring
552	M2TE010016	Screw
553	M2RONP1010	Flat Washer
554	0144067	Carter (large)
555	0144068	Carter (narrow)
556	0144062	Bearing Holder Spacer
557	M5RB00034	Bonded Washer
558	M50103501	Blind Plug
559	M2DEA01M10	Nut
560	0144502	Rubber Band
561	M4LACL9163	Protection Blade
562	M2RONPIG11	Flat Washer
563	M2TE010040	Screw
564	0144083	Milling Machine Support Staff
565	0102503	Knurled Washer
566	M2DENZ1M20	Nut
567	M2TEZ12025	Screw
568	0103509	Rod Staff
569	0144503	Rod
570		Distance Piece

13 ROTATING BRUSH COMPONENTS



13.1 PART NUMBERS - ROTATING BRUSH

<u>REF #</u>	<u>PART NUMBER</u>	<u>DESCRIPTION</u>
571	M51R31M38	Rapid Coupling M
572	M5JR91638	Reducer
573	0651516	Tube
574	M5JR07838	Reducer
575	M5JR91614	Reducer
576	M5JR07812	Reducer
577	0651516	Tube
578	M51R31F38	Rapid Coupling F
579	M401ZA4010	Hoe
580	0144064	Cut Holder Plate
581	M2DEA01M10	Nut
582	M2TEF10040	Screw
583	M2DEAF1M10	Nut
584	M2RONGRP10	Grower Washer
585	M2TE010025	Screw
586	M2RONCT010	Contact Washer
587	0144506	Brush
588	0144508	Spacer Brush Holder
589	M2TSE10040	Screw
590	M40101C062	Cap
591	M2DEA01M20	Nut
592	M2RONP1020	Flat Washer
593	M6C62060RS	Bearing
594	M40101R253	Wheel
595	0101511	Distance Piece
596	0144086	Wheel Support
597	0675510	Connecting Plate
598	M2RONP1Z16	Flat Washer
599	M2DENZ1M16	Nut
600	0144014	Complete Wheel

14 LIMITED WARRANTY



GEARMORE, INC., warrants each new Gearmore product to be free from defects in material and workmanship for a period of twelve (12) months from date of purchase to the original purchaser. This warranty shall not apply to implements or parts that have been subject to misuse, negligence, accident, or that have been altered in any way.

Our obligation shall be limited to repairing or replacement of any part, provided that such part is returned within thirty (30) days from date of failure to Gearmore through the dealer from whom the purchase was made, transportation charges prepaid.

This warranty shall not be interpreted to render us liable for injury or damages of any kind or nature, direct, consequential or contingent, to person or property. This warranty does not extend to loss of crops, loss because of delay in harvesting or any other expenses, for any other reasons.

Gearmore in no way warrants engines, tires, or other trade accessories, since these items are warranted separately by these respective manufacturers.

Gearmore reserves the right to make improvements in design or changes in specification at any time, without incurring any obligations to owners or units previously sold.

GEARMORE, INC.
13477 Benson Ave.
Chino, CA 91710

Always refer to and heed machine operating warning decals on machine.

The serial number of this product is stored in our computer database, thus submitting a warranty registration card is not required.