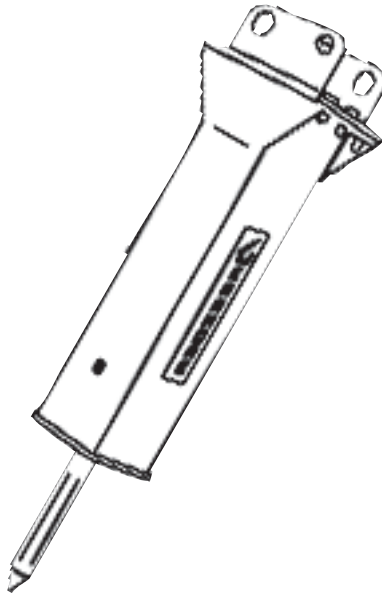


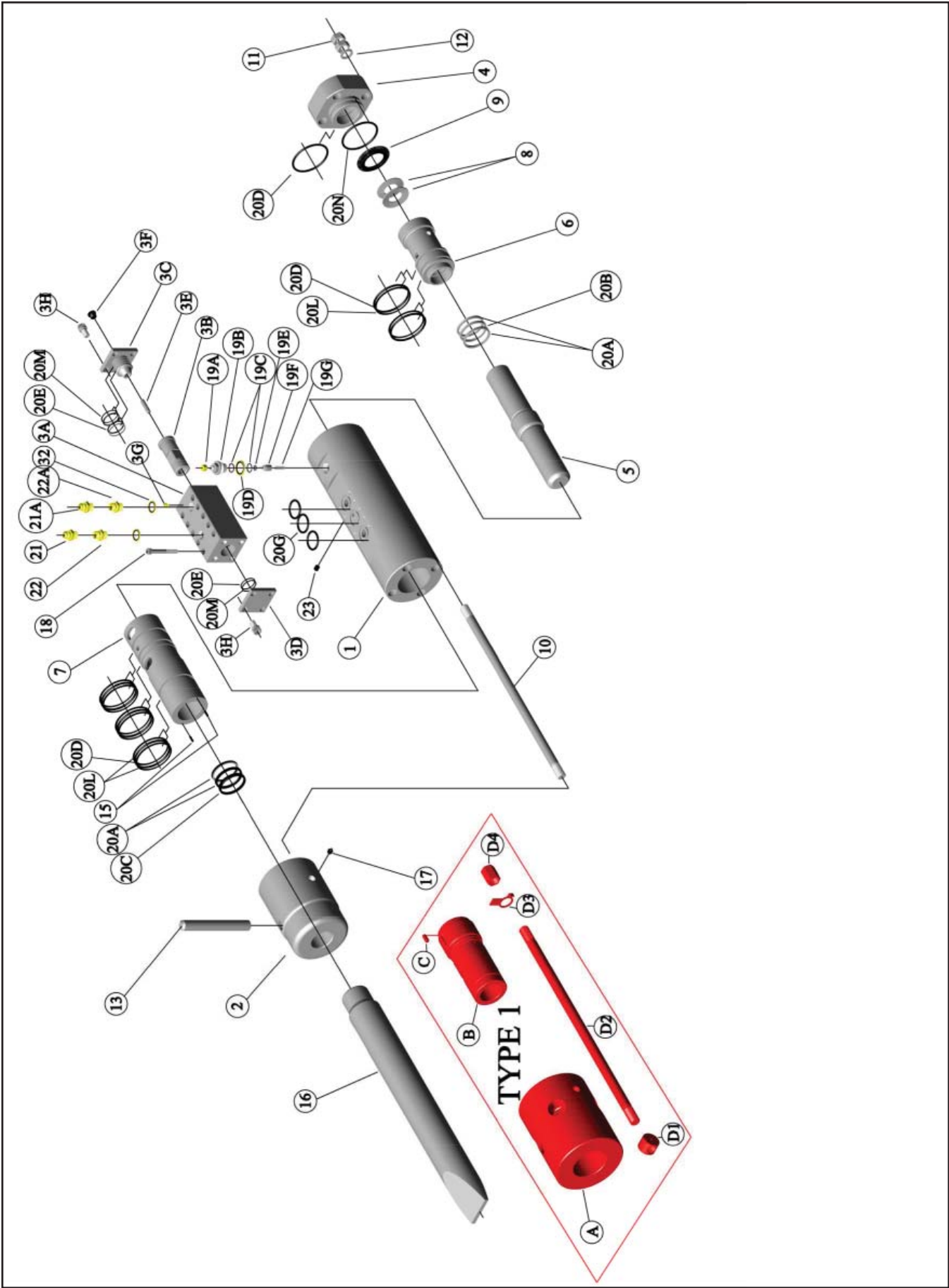


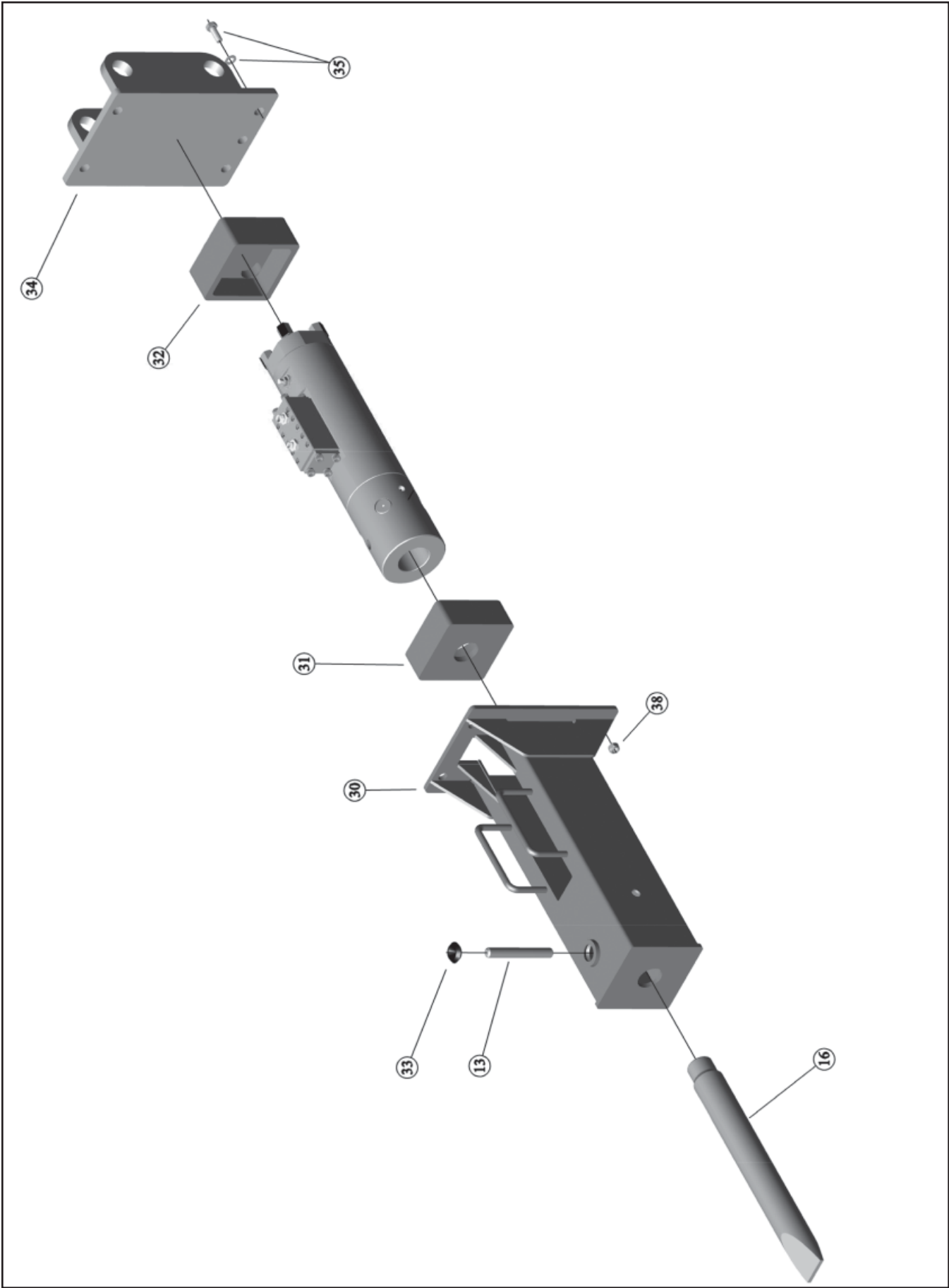
HYDRAULIC BREAKER



**Parts Manual
For Models G50**

January 2008





<u>REF#</u>	<u>QTY.</u>	<u>PART NO.</u>	<u>DESCRIPTION</u>
1	1	G50-001	Main Body
2	1	G50-002A	Chuck Housing
3	1	G50-003C	Valve Housing Complete
3A	1	G50-003	Valve Housing (Bare)
3B	1	G50-019	Valve Spool
3C	1	G50-020	Main Valve Top Plate
3D	1	G50-021	Main Valve Bottom Plate
3E	1	G50-029	Plunger
3F	1	ARC-003	18mm Pressure Plug
3G	1	ARC-100	8mm Pressure Plug
3H	8	ARC-051	Socket Head Capscrew (Top & Bottom Valve Plate)
4	1	G50-004	Cylinder Head
5	1	G50-006	Piston
6	1	G50-007	Upper Cylinder Liner
7	1	G50-008	Lower Cylinder Liner
8	2	G50-009	Disc Washers
9	1	G50-010	Spacer
10	4	G50-013A	Tie Rod
11	8	G50-014A	Top Nut
12	4	ARC-069	Tie Rod Washer
13	1	G50-017	Tool Retainer Pin
14	2	ARC-047	1/2" Dowty Seal
15	2	ARC-095	Dowel Pin
16A	1	G50-026P	Tool (Point)
16B	1	G50-026C	Tool (Chisel)
17	1	ARC-005	Grease Nipple
18	10	ARC-052	Socket Head Capscrew (Valve to Main Body)
19	1	ARC-008	Gas Valve Assembly
19A	1	ARC-008A	Gas Valve Dust Cap
19B	1	ARC-008B	Gas Valve Body
19C	2	ARC-008C	"O" Ring
19D	1	ARC-008D	1" Dowty Washer
19E	1	ARC-008E	"O" Ring
19F	1	ARC-008F	Gas Valve Shuttle
19G	1	ARC-008G	Gas Valve Spring
20	1	G50-059	Seal Kit Complete
20A	4	G50-059-1	"U" Seal
20B	1	G50-059-2	"U" Seal Rubber Quad
20C	1	G50-059-3	Wiper Ring

<u>REF#</u>	<u>QTY.</u>	<u>PART NO.</u>	<u>DESCRIPTION</u>
20D	6	G50-059-4	"O" Ring Cylinder Liner & Cylinder Head
20E	3	G50-059-5	"O" Ring Main Valve Top Plate/Bottom Plate
20G	3	G50-059-7	"O" Ring Valve to Main Body
20L	8	G50-059-11	P.T.F.E. Back Up Ring Cylinder Liner
20M	3	G50-059-12	P.T.F.E. Back Up Ring Main Valve Top Plate/Bottom Plate
20N	1	G50-059-13	"O" Ring Cylinder Head to Main Body
21	1	ARC-025	Inlet Adapter $\frac{1}{2}$ " BSP x $\frac{3}{4}$ " JIC - 8 Male Couplings
21A	1	ARC-026	Outlet Adapter $\frac{1}{2}$ " BSP x $1\frac{1}{16}$ " JIC - 12 Male Couplings
22	1	ARC-018	Inlet Adapter $\frac{1}{2}$ " x $\frac{1}{2}$ " BSP Male Couplings
22A	1	ARC-019	Outlet Adapter $\frac{1}{2}$ " x $\frac{3}{4}$ " BSP Male Couplings
23	1	ARC-002	$\frac{1}{4}$ " BSP Plug
30	1	G50-150	Hammer Box
31	1	G50-101	Lower Buffer
32	1	G50-100	Top Buffer
33	1	ARC-010	Rubber Donut
34	1	ARB-4000	Top Mount Bracket
34A	1	ARB-4001	Skid Steer Bracket
35	5	ARC-013	Top Bracket Bolt Assembly
	1	ARC-118	Decal Set
	1	ARC-012	Gas Charging Kit
	2	ARH-001	No. 8 JIC Female (Both Ends) $\frac{1}{2}$ " NB Hyd. Hose x 77" Long
A		N/A	Item A has been replaced with Item #2 (G50-002A) Chuck Housing Complete). Item #2 (G50-002A) has Items B & C as integral parts. When retrofitting Item #2 to a Type 1 hammer new tie rod assemblies must also be fitted. - Part No.G50-013A (Tie Rod) & G50-014A (Top Nut).
B	1	G50-012	Combo Bush
C	1	ARC-001	Dowel Pin
D1	4	G50-015	Bottom Nut
D2	4	G50-13	Tie Rod
D3	4	ARC-069	Tie Rod Washer
D4	4	G50-014	Top Nut