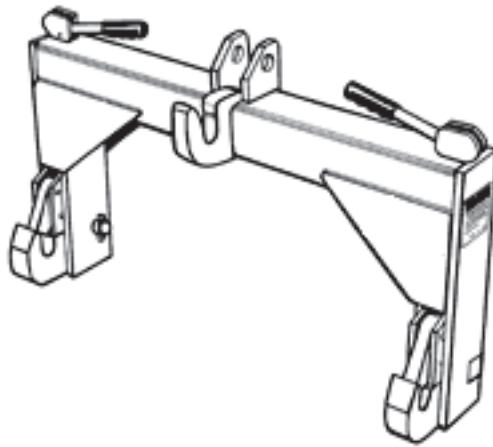




TRACTOR QUICK HITCH CATEGORY 2



Assembly & Operation Manual

June 2007

TABLE OF CONTENTS

SECTION	PAGE
1 Safety Information	1
1.1 Training	1
1.2 Before Operation	1
2 Specifications	2
3 Operating the Quick Hitch.....	3
4 Accessories	4
5 Limited Warranty	5

SAFETY INFORMATION



- ❑ To avoid accident or injury, *do not* allow anyone to operate this equipment without proper instructions. Any person who operates this equipment must be instructed in and be capable of the safe operation of the unit, its attachments and all controls.



- ❑ **DO NOT** allow children to operate machine, or adults to operate it without proper instructions.

TRAINING

The major advantage of the Quick Hitch is to attach the implement without placing yourself between the tractor and the implement.

If the implement has a PTO shaft, the tractor must be shut off and nobody should be on the tractor when attaching the PTO shaft to the tractor.

Read this operator's manual, implement and tractor manual before operating.

BEFORE OPERATION

Always wear relatively tight and belted clothing when operating implement. Loose clothing should not be worn, as it could get caught in the moving parts or controls. Wear sturdy, rough-soled work shoes and protective equipment for eyes, hands, hearing, and head. **Never** operate tractor or implements in bare feet, sandals, or sneakers.

Never permit any person other than the operator to ride on board the tractor at any time. **DO NOT** allow riders on implement at any time.

Clear area of stones, branches or other debris that might be thrown, causing injury or damage.

Operate only in daylight or good artificial light.

Ensure implements are properly mounted, adjusted and in good operating condition.

Ensure all PTO and other safety shielding is properly installed and in good condition.

Read and observe **all safety decals** on the tractor and implements.

SPECIFICATIONS

GEARMORE® **TRACTOR QUICK HITCH**

Our Cat. 2 Quick Hitch was designed to make changing implements easier, safer, and faster. Thus eliminating lifting and moving heavy implements into position for mounting to the tractor. You can safely change implements in seconds.

- ❑ Operator can engage and secure implements from the tractor seat
- ❑ Reduces chance of personal injury as there is no need to put yourself between the tractor and the implement, except for attaching driveshafts
- ❑ Automatic lock with quick release handles
- ❑ Heavy all steel construction
- ❑ Optional hydraulic top link cylinders are available for easier hook-up



Ordering the optional hydraulic top link is strongly recommended, as it greatly aids aligning to the implement 3-point hitch when not "parked" perpendicular to the ground.

SPECIAL NOTE: Some implement manufacturers do not build to ASAE standards. Always check with your dealer to make sure the implements you order will fit the ASAE quick hitch.

MODEL #	DESCRIPTION	WEIGHT
GQH-2	Cat. 2 Quick Hitch - Complete with 1 1/8" mounting pins and adapter bushings - 100 HP Max.	135#

OPERATING THE QUICK HITCH

1. With latch handles lowered, back Quick Hitch points against implement mounting pins.
2. Raise tractor 3-point hitch to engage implement draw pins.
3. Your implement is secured without smashed toes or strained back.
4. Raise latch handles and reverse this sequence to disconnect.

NOTE: If light weight implement is being used, latch handles may have to be raised to properly engage implement.

ACCESSORIES

The Cat. 2 Quick Hitches come with 1 accessory.

1. Kit part number **HF141130** shouldered bushings for pinning to cantilever pins to secure quick hitch in place.



Since only one shouldered bushing kit is sent with each quick hitch, it will be necessary to order additional bushings for your other implements.



GEARMORE, INC., warrants each new Gearmore product to be free from defects in material and workmanship for a period of twelve (12) months from date of purchase to the original purchaser. This warranty shall not apply to implements or parts that have been subject to misuse, negligence, accident, or that have been altered in any way.

Our obligation shall be limited to repairing or replacement of any part, provided that such part is returned within thirty (30) days from date of failure to Gearmore through the dealer from whom the purchase was made, transportation charges prepaid.

This warranty shall not be interpreted to render us liable for injury or damages of any kind or nature, direct, consequential or contingent, to person or property. This warranty does not extend to loss of crops, loss because of delay in harvesting or any other expenses, for any other reasons.

Gearmore in no way warrants engines, tires, or other trade accessories, since these items are warranted separately by these respective manufacturers.

Gearmore reserves the right to make improvements in design or changes in specification at any time, without incurring any obligations to owners or units previously sold.

GEARMORE, INC.
13477 Benson Ave.
Chino, CA 91710

Always refer to and heed machine operating warning decals on machine.

The serial number of this product is stored in our computer database, thus submitting a warranty registration card is not required.