



# **3-PT. CHAIN LIFT HARROW**

**Operation, Service  
& Parts Manual For  
G4-3P/H4X4, G6-3P/H6X6,  
& G8-3P/H8X6**

Revised December 2009

# TABLE OF CONTENTS

Introduction/Assembly .....	1
Operating Instructions .....	2
Safety Instructions .....	3
Chain Harrow Assembly .....	4 - 5
Limited Warranty .....	6

Date of Purchase: \_\_\_\_\_

Model Number: \_\_\_\_\_

Serial Number \_\_\_\_\_

# INTRODUCTION

*We welcome you as an owner of a Gearmore Lifiable Chain Harrow. Please read this manual carefully and follow the instructions to get the most value out of this product.*

## ASSEMBLY INSTRUCTIONS

With normal maintenance you should receive years of use out of the Gearmore Lifiable Chain Harrow.

1. Fold open the harrow 3-point boom.
2. Bolt the boom brace to the top of the a-frame using the bolt that is in place.
3. Tighten the 3-point hitch pins.
4. Attach 1/4" x 16" long chains at the end of the boom.

**NOTE:** The chains are stored inside the boom.

5. Attach the drawbar to the a-frame by placing the 1/2" diameter rod into the U shaped brackets on the underside of the a-frame. Use a heavy hammer to close the hook in a locked position. this will prevent the drawbar from accidently coming off during operation.
6. Attach the chain harrow to drawbar in the position required (see "**How To Use Chain Harrow Section**" for details).
7. Attach lifting chains to the harrow allowing enough slack in the chain so there is no tension on the chains when the harrow is in the operating position.

# OPERATING INSTRUCTIONS

Know your controls and how to stop tractor engine and chain harrow quickly in an emergency. ***READ THIS OPERATOR'S MANUAL AND THE MANUAL PROVIDED WITH YOUR TRACTOR.***

Your harrow is designed to be used 3 distinctly different ways.

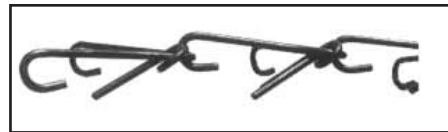
## 1. AGGRESSIVE ACTION



**AGGRESSIVE ACTION**  
Tines stand up at 75° angle

Attach to drawbar with the tines almost straight (perpendicular to the ground). You usually use this position when busting up clods, break-up and mixing in manure, preparing seed bed, etc.

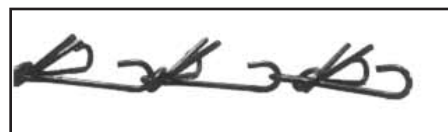
## 2. LIGHT ACTION



**LIGHT ACTION**  
Reversed tines angles farther back

Attach opposite end of chain harrow to drawbar. This will put the tines at about a 30 degree angle to the ground. You usually use this position when thatching pastures, incorporating seed, etc.

## 3. MINIMUM ACTION



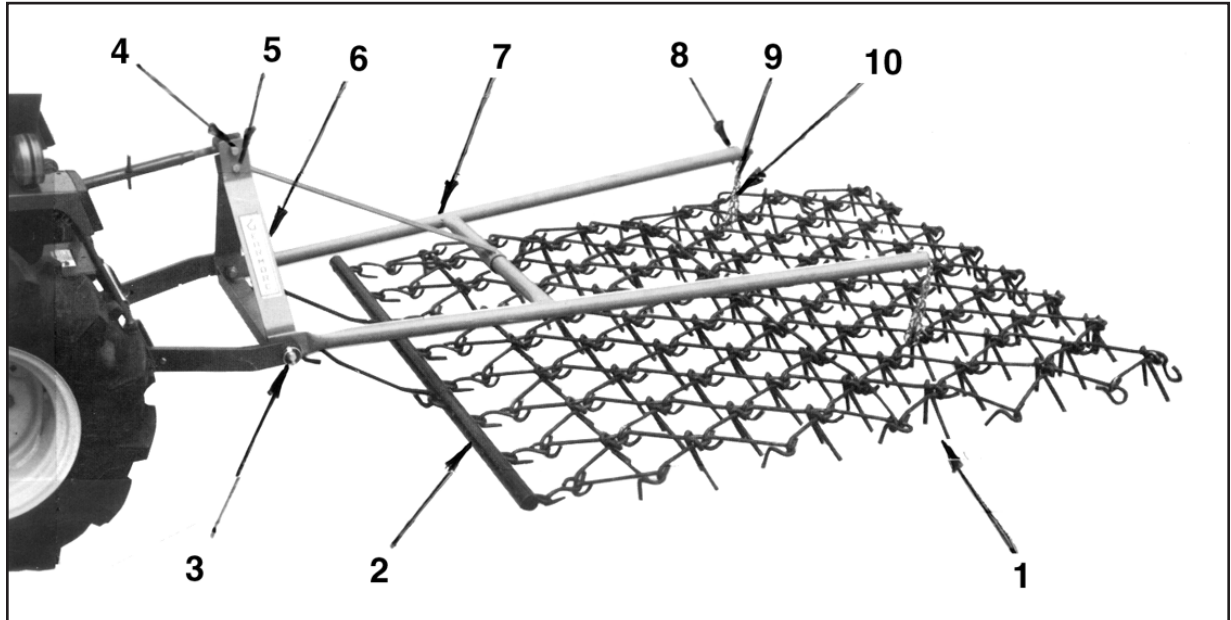
**MINIMUM ACTION**  
Tines up in smoothing position

Turn chain harrow upside down with either end attached to the drawbar. This position is best for dirt and gravel maintenance, such as roads, horse arenas, ball diamonds, etc. The unit will smooth rough spots, fill holes and incorporate moisture.

# OPERATIONAL SAFETY

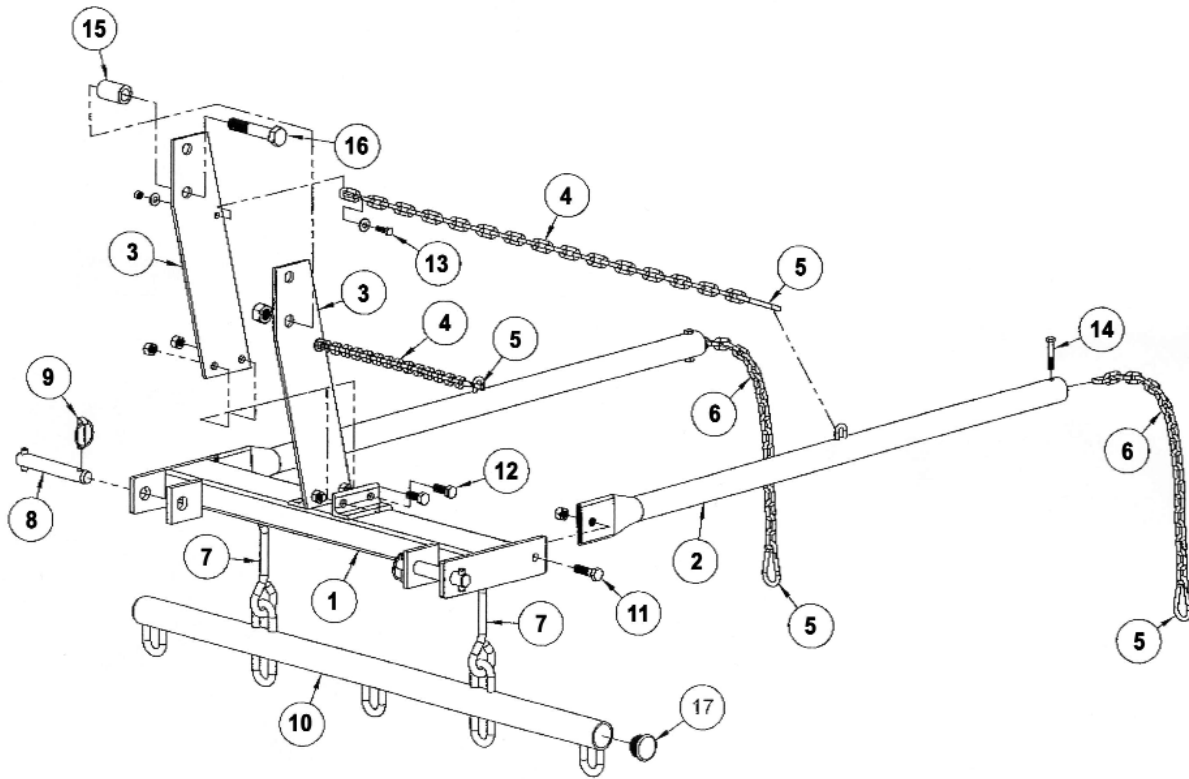
- Read the operator's manual before using any equipment.
- **NEVER** allow children or unqualified persons to operate tractor and chain harrow or other power equipment.
- Know how to stop the tractor quickly in the event of an emergency.
- Instruct children and other persons to stay away from the tractor and chain harrow when it is in operation.
- **ALWAYS** remove the key when leaving the tractor unattended.
- Give complete undivided attention to the job at hand.
- **NEVER** allow riders on tractor or harrow.
- Stop the engine when dismounting from the tractor.
- **NEVER** add weight to the harrow as the lifting system is designed to pick-up the weight of the harrow only.
- Keep hands and feet away from harrow while tractor is running.

# HARROW PARTS DRAWING



<u>REF. #</u>	<u>QTY.</u>	<u>PART NO.</u>	<u>DESCRIPTION</u>
1	1	H6X6	Chain Section 6' x 6'
1	1	H8X6	Chain Section 8' x 6'
2	1	HC01	Drawbar w/Rods 6'
2	1	HC10	Drawbar w/Rods 8'
3	2	HC02	Cat. I Hitch Pins
4	1	HC03	Cat. I Top Pin
5	1	HC04	Bolt w/Nut 1/2" x 3 1/2"
6	1	HC05	A-Frame
7	1	HC06	Boom Assembly 6'
7	1	HC11	Boom Assembly 8'
8	2	HC07	Bolt w/Nylock Nut 5/16" x 2 1/2"
9	2	HC08	Chain 3/16" x 16" Long
10	2	HC09	Clip Link, Chain

# G4-3P HARROW PARTS DRAWING



<u>REF. #</u>	<u>QTY.</u>	<u>PART NO.</u>	<u>DESCRIPTION</u>
1	1	G4-100	Carrier Frame Weldment
2	2	G4-101	Pipe Hanger
3	2	302P-1	Top Link Plate
4	2	G4-103	3/16" Chain 30 1/2" Long
5	4	G6-103	5/16" Spring Snap
6	2	G6-102	3/16" Chain 15" Long
7	2	302P-11	Drawbar Link
8	2	P7234	Cat. I Clevis Pin
9	2	P791	Lynch Pin
10	1	G4-104	4' Drawbar Weldment w/2 Drawbar Links
11	2	G4-105	3/4" x 1 3/4" NC Gr. 5 Cap Screw w/Nylock Nut
12	4	G4-106	3/4" x 1 1/4" NC Gr. 5 Cap Screw w/Nylock Nut
13	2	G4-107	5/16" x 1" NC Gr. 5 Cap Screw w/2 Flat Washers and Nylock Nuts
14	2	G4-102	5/16" x 2" NC Gr. 5 Cap Screw w/Nylock Nut
15	1	G6-107	Top Link Bushing
16	1	G6-108	3/4" x 4" NC Gr. 5 Cap Screw w/Nylock Nut
17	2	G6-105	Drawbar Cap

# LIMITED WARRANTY



GEARMORE, INC., warrants each new Gearmore product to be free from defects in material and workmanship for a period of twelve (12) months from date of purchase to the original purchaser. This warranty shall not apply to implements or parts that have been subject to misuse, negligence, accident, or that have been altered in any way.

Our obligation shall be limited to repairing or replacement of any part, provided that such part is returned within thirty (30) days from date of failure to Gearmore through the dealer from whom the purchase was made, transportation charges prepaid.

This warranty shall not be interpreted to render us liable for injury or damages of any kind or nature, direct, consequential or contingent, to person or property. This warranty does not extend to loss of crops, loss because of delay in harvesting or any other expenses, for any other reasons.

Gearmore in no way warrants engines, tires, or other trade accessories, since these items are warranted separately by these respective manufacturers.

Gearmore reserves the right to make improvements in design or changes in specification at any time, without incurring any obligations to owners or units previously sold.

GEARMORE, INC.  
13477 Benson Ave.  
Chino, CA 91710

Always refer to and heed machine operating warning decals on machine.

The serial number of this product is stored in our computer database, thus submitting a warranty registration card is not required.