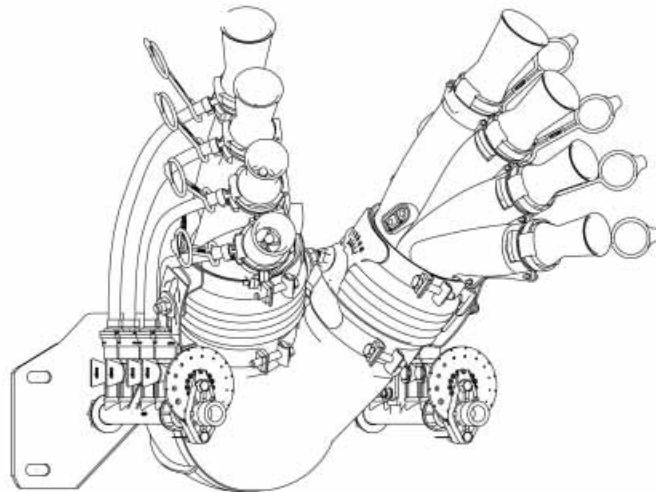




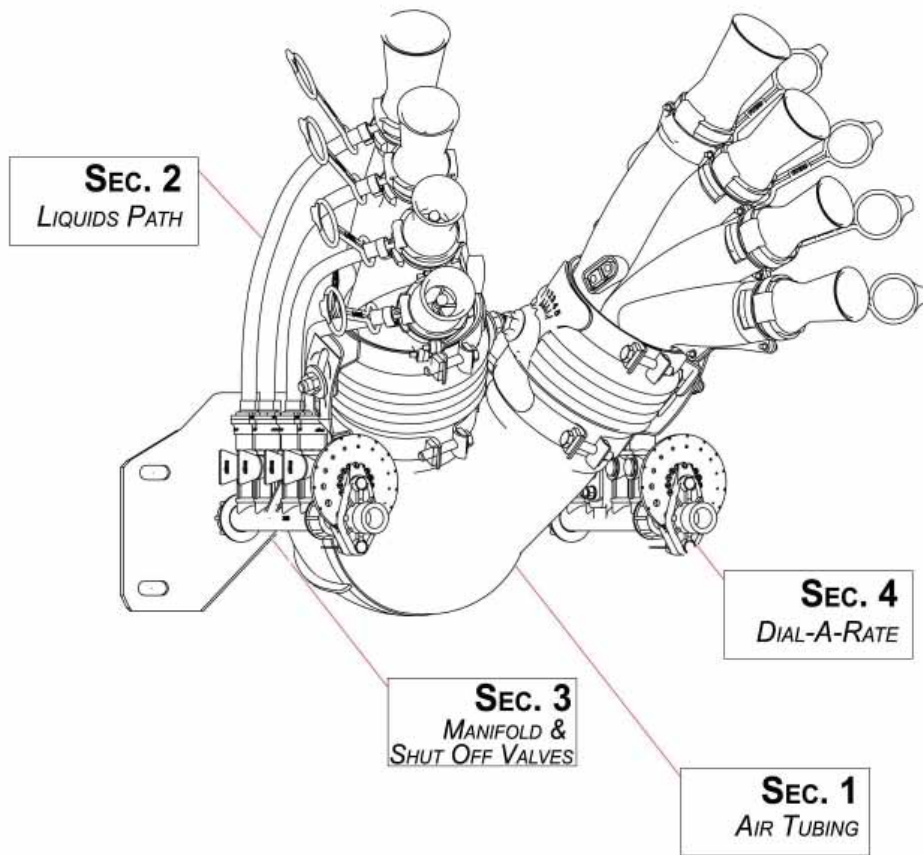
# VENTURI AIR SPRAYERS NARROW ROW HEAD



## Parts Manual For TST445P12 Narrow 4+4 Head For P45 Sprayers

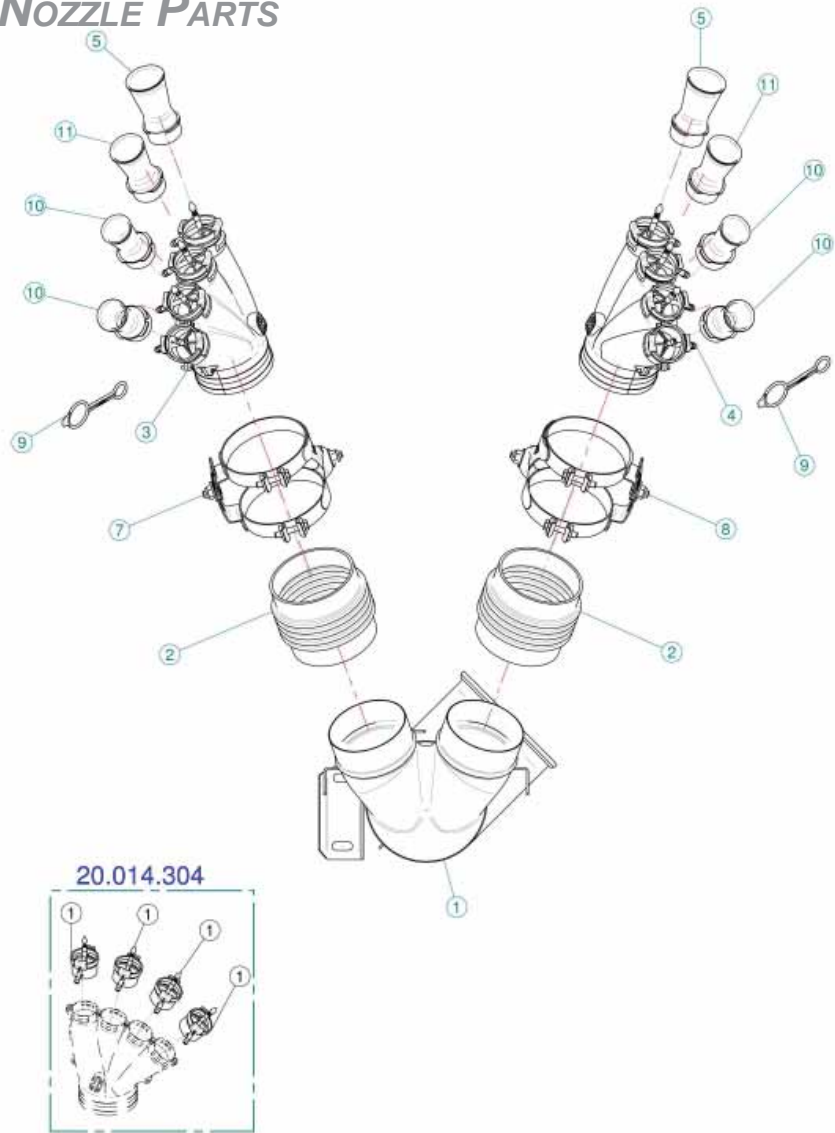
July 2013

# TABLE OF CONTENTS



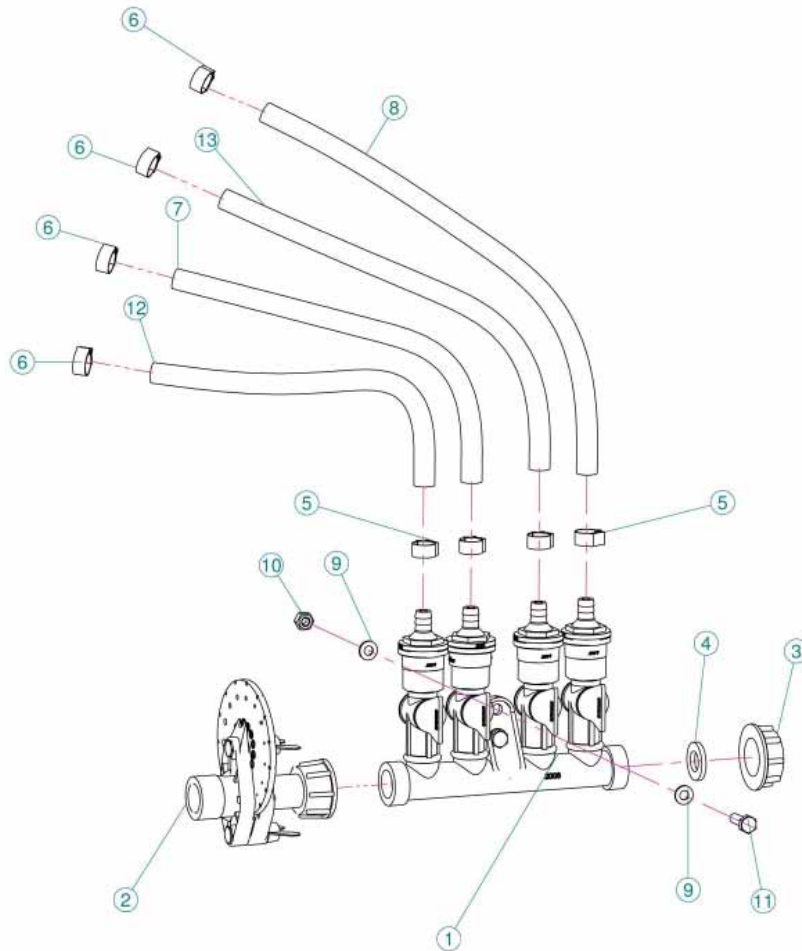
<u>SECTION</u>	<u>DESCRIPTION</u> .....	<u>PAGE</u>
1	Nozzle Parts .....	1
2	Liquid Parts .....	2
3	Manifold & Shut-Off Valves .....	3
4	Dial-A-Rate .....	4

# Sec. 01 - NOZZLE PARTS



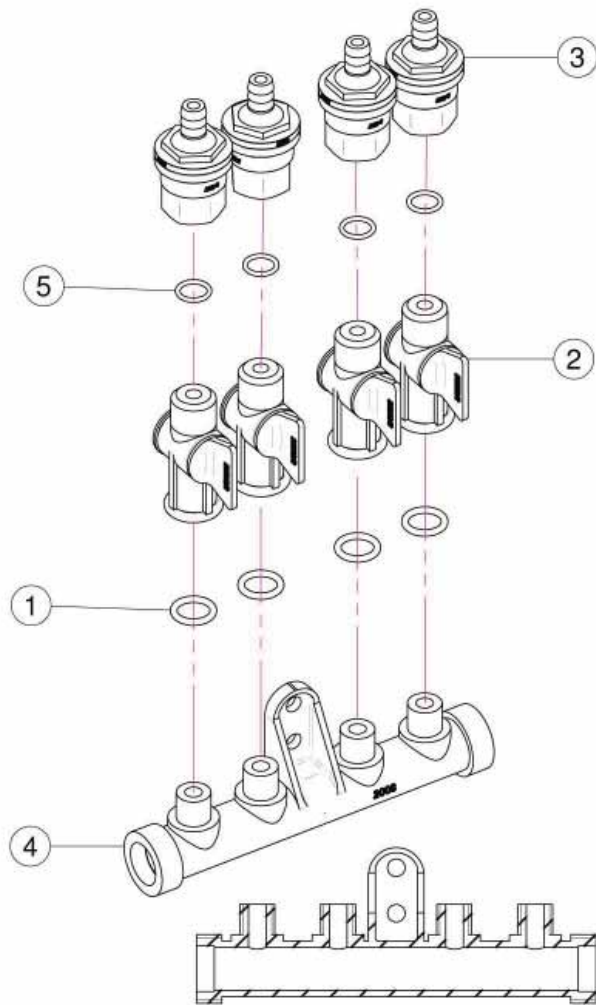
<u>REF.</u>	<u>QTY.</u>	<u>PART NO.</u>	<u>DESCRIPTION</u>
1	1	20.377.000	Body
2	2	02.021.000	Flexible Sleeve
3	1	20.014.304CSX	Four Outlets Left
4	1	20.014.304CDX	Four Outlets Right
5	2	00.010.050	Nozzle 10/50
7	1	21.080.000	Right Clamp Ø 127
8	1	21.081.000	Left Clamp Ø 127
9	8	20.697.000	Nozzle Stop
10	4	00.006.050	Nozzle 6/50
11	2	00.008.050	Nozzle 8/50
<b>20.014.304</b>			
1	4	20.016.01C	Venturi Body

## Sec. 02 - LIQUID PARTS



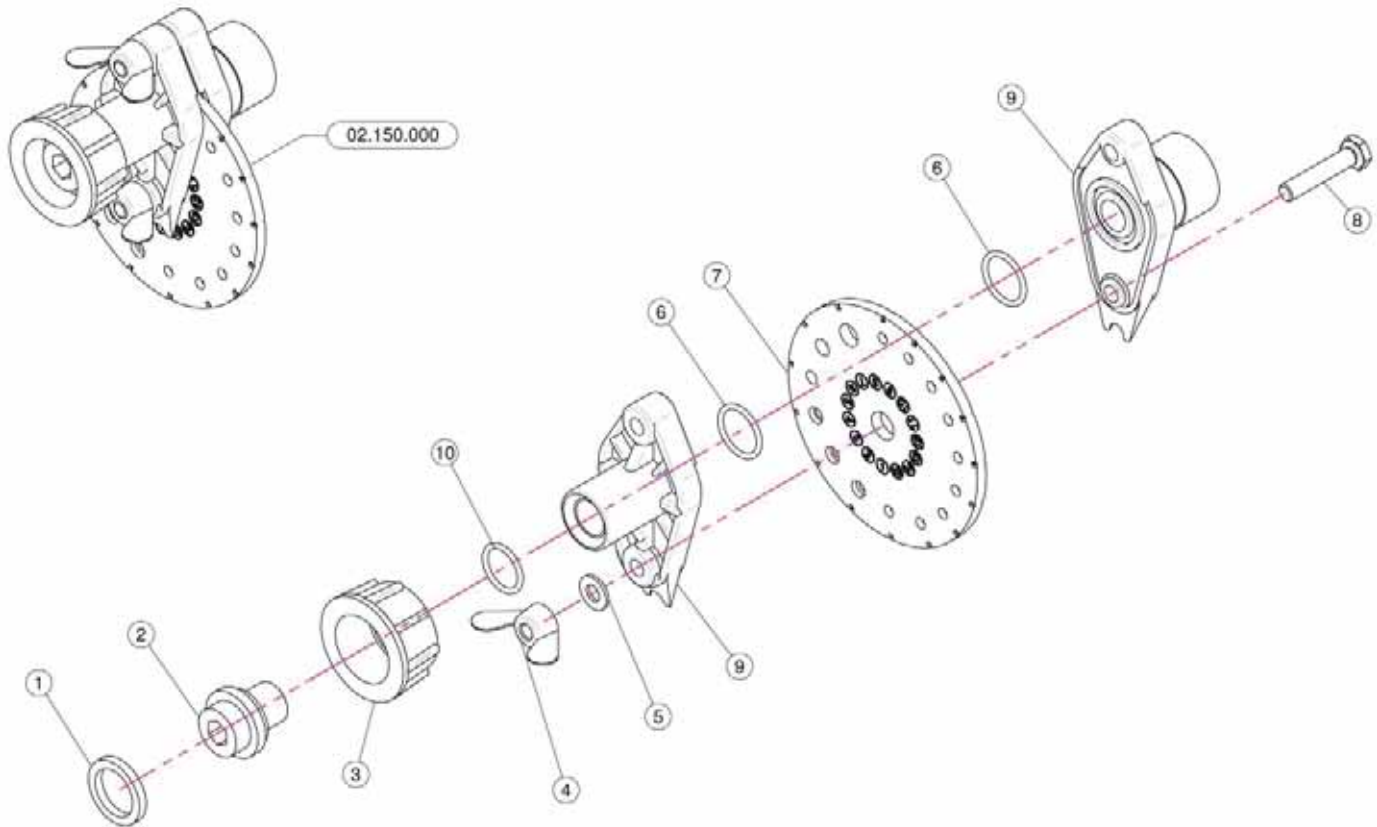
<u>REF.</u>	<u>QTY.</u>	<u>PART NO.</u>	<u>DESCRIPTION</u>
1	1	02.008.304C	4 Taps Liquid Manifold
2	1	02.150.000	Rotation Disk Regulation
3	1	02.182.000	Female 3/4" Cap
4	1	02.030.010	Gasket
5	4	FC.013.5.015	Hose Clamp
6	4	FC.012.5.014	Hose Clamp
7	As Req'd	02.217.000	Hose D.8 x 13 L=280 (Per Foot)
8	As Req'd	02.217.000	Hose D.8 x 13 L=340 (Per Foot)
9	4	RP.006.000	Washer D.6
10	2	D0.06.5588G	Nut M6
11	2	TE.006.020T	Screw TE M6 x 20
12	As Req'd	02.217.000	Hose D.8 x 13 L=330 (Per Foot)
13	As Req'd	02.217.000	Hose D.8 x 13 L=330 (Per Foot)

## Sec. 03 - MANIFOLD & SHUT-OFF VALVES



<u>REF.</u>	<u>QTY.</u>	<u>PART NO.</u>	<u>DESCRIPTION</u>
		<b>02.008.304C</b>	<b>Complete Assembly</b>
1	8	OR.000.117	13.1 x 18.34 x 2.62 O-Ring Gasket
2	8	20.202.100	Tap Assembly
3	8	00.227.01C	Anti-Drip Valve
4	2	02.008.000	Sprayheads Liquid Manifold
5	8	OR.002.043	10.82 x 14.38 x 1.78 Nbr 70 O-Ring Gasket

## Sec. 04 - *DIAL-A-RATE*



<u>REF.</u>	<u>QTY.</u>	<u>PART NO.</u>	<u>DESCRIPTION</u>
1	1	02.349.000	17 x 23 x 3 Flat Gasket
2	1	02.117.000	Adaptor Nipple
3	1	2002030	3/4" Fly Nut
4	2	DF.OTT.006	Wing Nut M6
5	2	RP.006.000I	INOX Washer D.6
6	2	OR1560178	D.15.6 x 1.78 O-Ring
7	1	02.148.000	Regulator Disc
8	2	TE.006.030I	INOX M6 x 30 Bolt
9	1	02.147.000	Regulator Body
10	1	OR1242178	O-Ring D.12.37 x 2.62