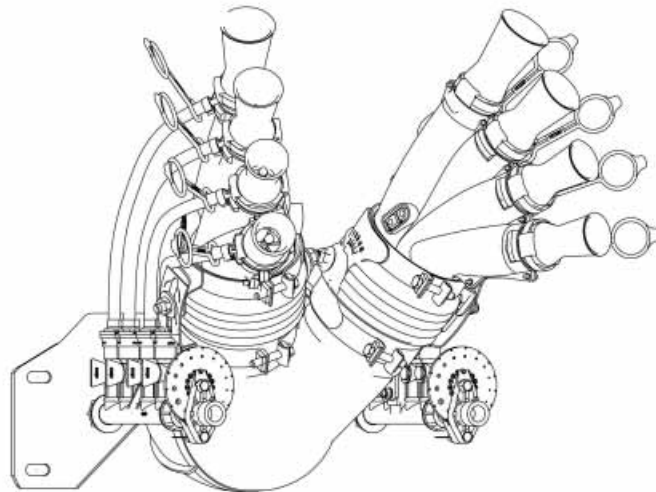




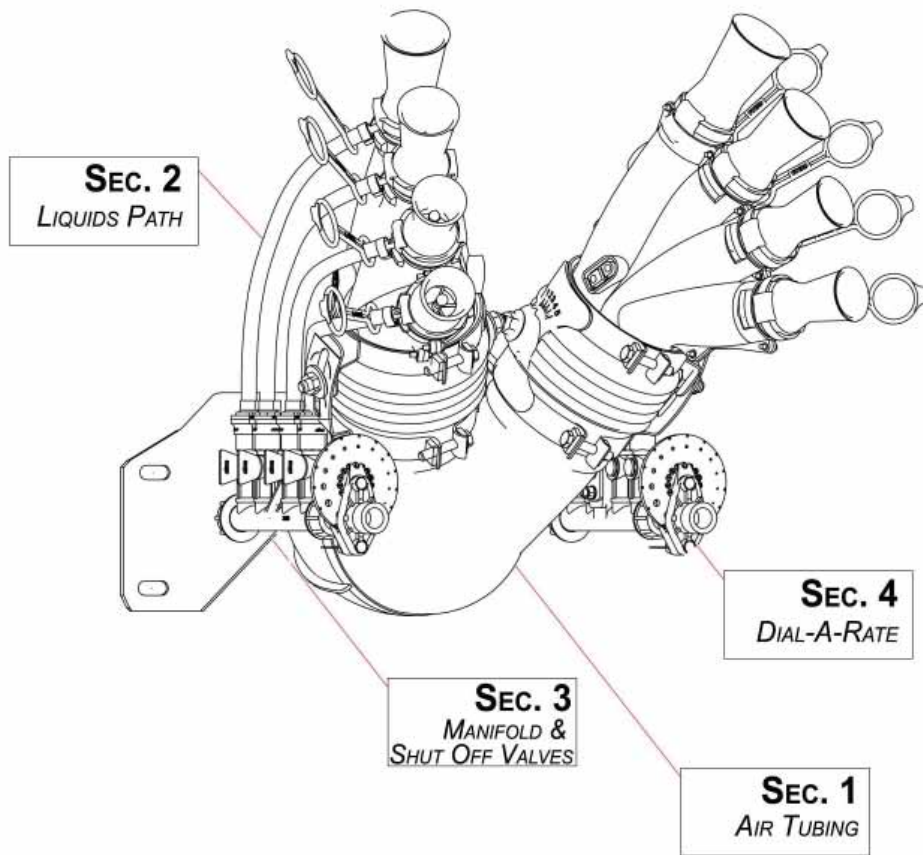
VENTURI AIR SPRAYERS NARROW ROW HEAD



**Parts Manual For
TST442P12 Head
For P42 Sprayers**

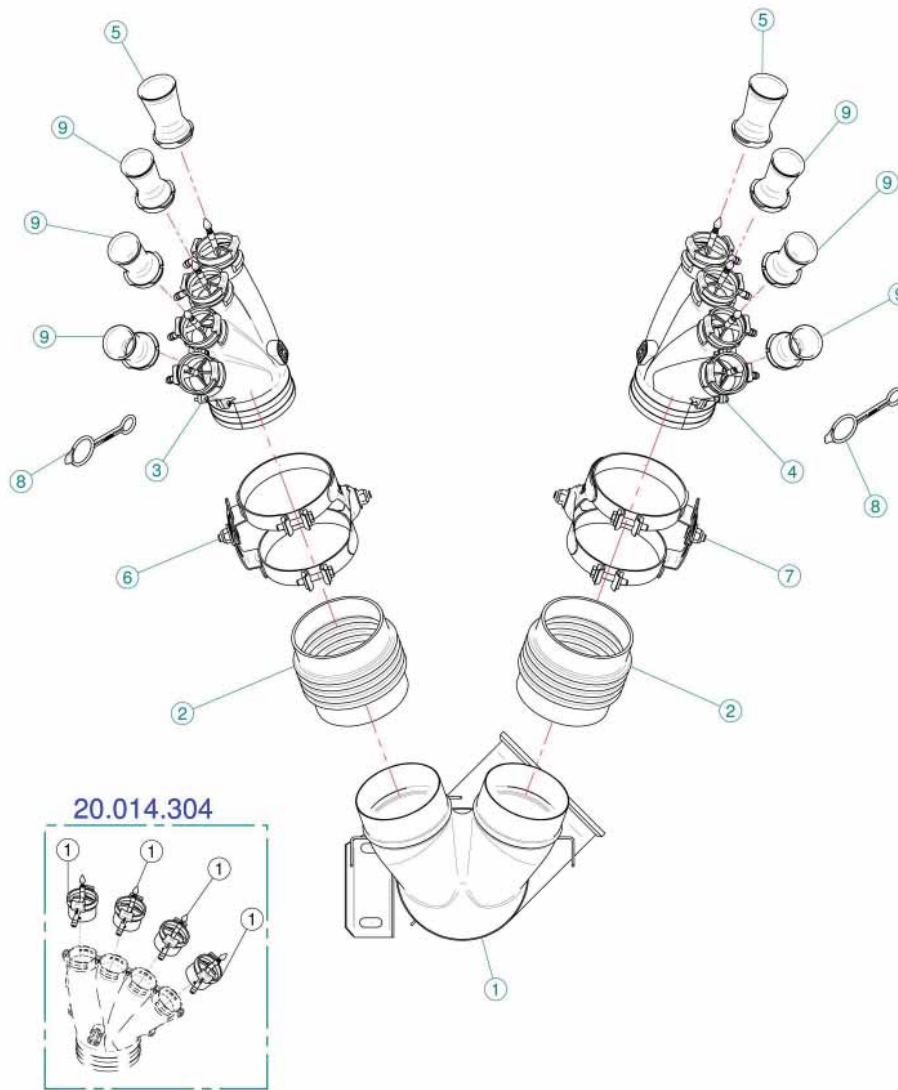
June 2013

TABLE OF CONTENTS



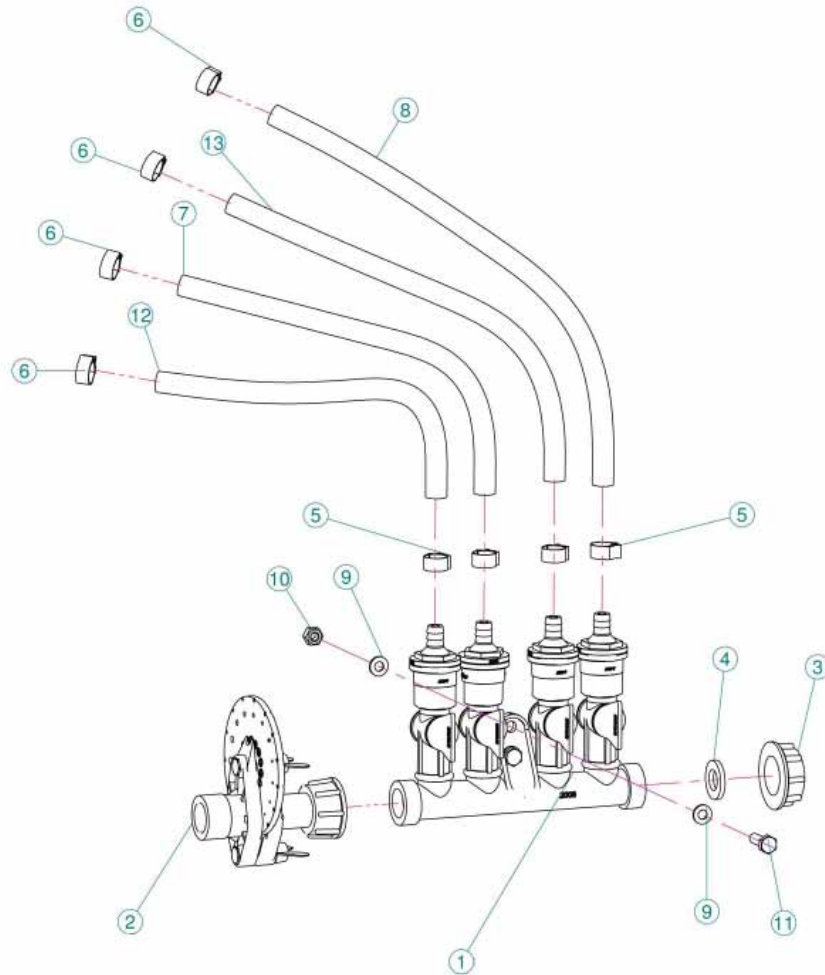
<u>SECTION</u>	<u>DESCRIPTION</u>	<u>PAGE</u>
1	Nozzle Parts	1
2	Liquid Parts	2
3	Manifold & Shut-Off Valves	3
4	Dial-A-Rate	4

Sec. 01 - NOZZLE PARTS



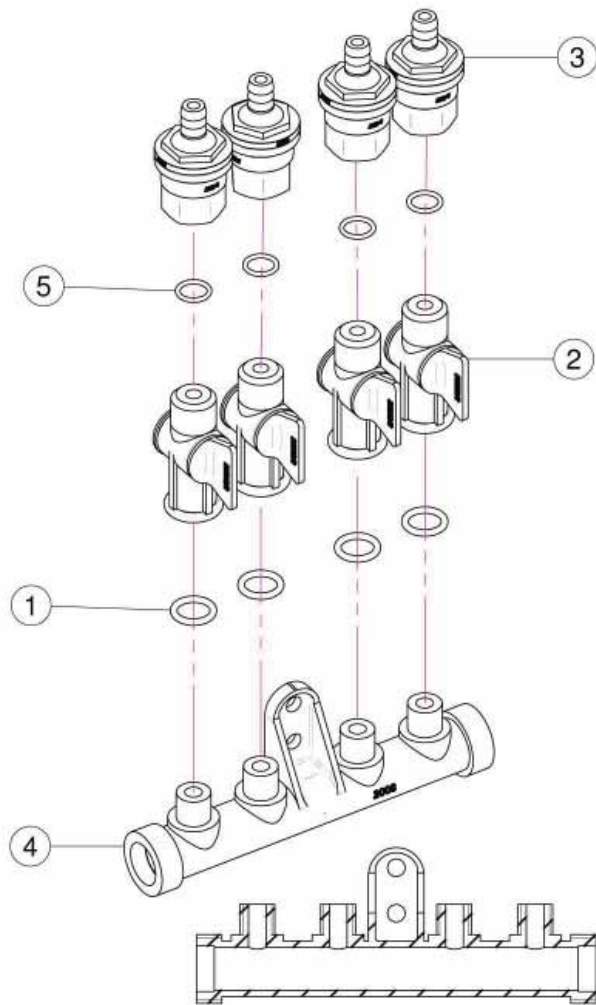
<u>REF.</u>	<u>QTY.</u>	<u>PART NO.</u>	<u>DESCRIPTION</u>
1	1	02.377.000	Body Head
2	2	02.021.000	Flexible Sleeve
3	1	20.014.304CSX	4 Outlets With Distributor
4	1	20.014.304CDX	4 Outlets With Distributor
5	2	00.008.050	Nozzle 8/50
6	1	21.080.000	Right Clamp 127
7	1	21.081.000	Left Clamp 127
8	8	20.697.000	Nozzle Stop
9	6	00.006.050	Nozzle 6/50
20.014.304			
1	4	20.016.01C	Venturi Body

Sec. 02 - LIQUID PARTS



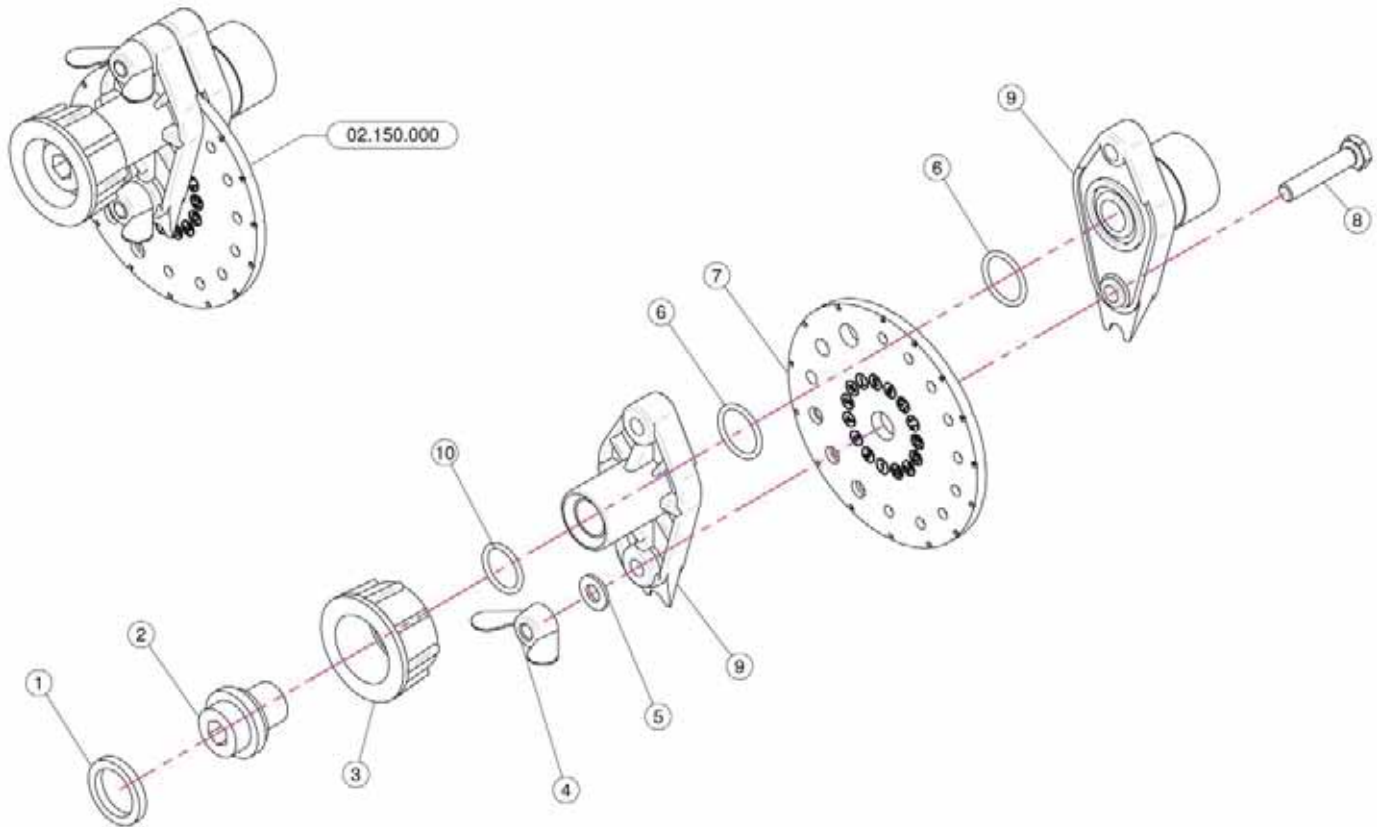
<u>REF.</u>	<u>QTY.</u>	<u>PART NO.</u>	<u>DESCRIPTION</u>
1	2	02.008.304C	4 Taps Liquid Manifold
2	2	02.150.000	Rotation Disc Regulation
3	2	02.182.000	Female 3/4" Cap
4	2	02.030.010	Gasket
5	8	FC.013.5.015	Hose Clamp
6	8	FC.012.5.014	Hose Clamp
7	2	02.217.000	Hose D.8 x 13 L=280 (Per Foot)
8	2	02.217.000	Hose D.8 x 13 L=340 (Per Foot)
9	8	RP.006.000	Washer D.6
10	4	D0.06.5588G	Nut M6
11	4	TE.006.020T	Screw TE M6 x 20
12	2	02.217.000	Hose D.8 x 13 L=240 (Per Foot)
13	2	02.217.000	Hose D.8 x 13 L=330 (Per Foot)

Sec. 03 - MANIFOLD & SHUT-OFF VALVES



<u>REF.</u>	<u>QTY.</u>	<u>PART NO.</u>	<u>DESCRIPTION</u>
		02.008.304C	Complete Assembly
1	8	OR.000.117	13.1 x 18.34 x 2.62 O-Ring Gasket
2	8	20.202.100	Tap Assembly
3	8	00.227.01C	Anti-Drip Valve
4	2	02.008.000	Sprayheads Liquid Manifold
5	8	OR.002.043	10.82 x 14.38 x 1.78 Nbr 70 O-Ring Gasket

Sec. 04 - *DIAL-A-RATE*



<u>REF.</u>	<u>QTY.</u>	<u>PART NO.</u>	<u>DESCRIPTION</u>
1	1	02.349.000	17 x 23 x 3 Flat Gasket
2	1	02.117.000	Adaptor Nipple
3	1	2002030	3/4" Fly Nut
4	2	DF.OTT.006	Wing Nut M6
5	2	RP.006.000I	INOX Washer D.6
6	2	OR1560178	D.15.6 x 1.78 O-Ring
7	1	02.148.000	Regulator Disc
8	2	TE.006.030I	INOX M6 x 30 Bolt
9	1	02.147.000	Regulator Body
10	1	OR1242178	O-Ring D.12.37 x 2.62