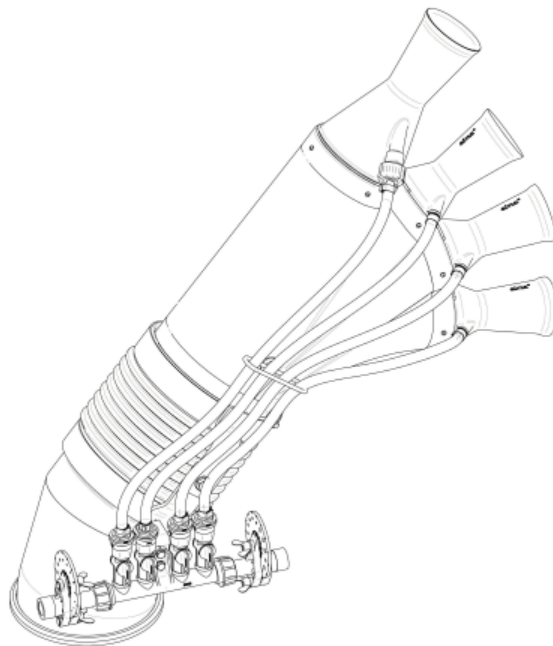




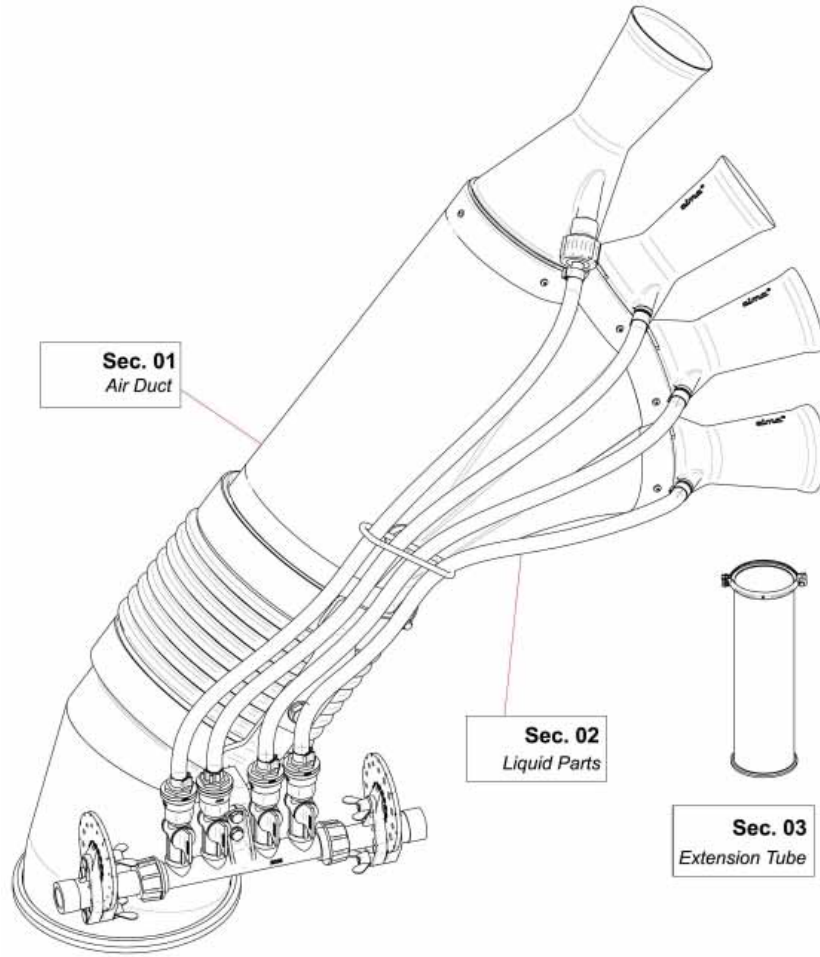
VENTURI AIR SPRAYERS TREE CANNON Low Position



**Parts Manual For
TOL0005012 Cannon
For P50 & L50 Sprayers**

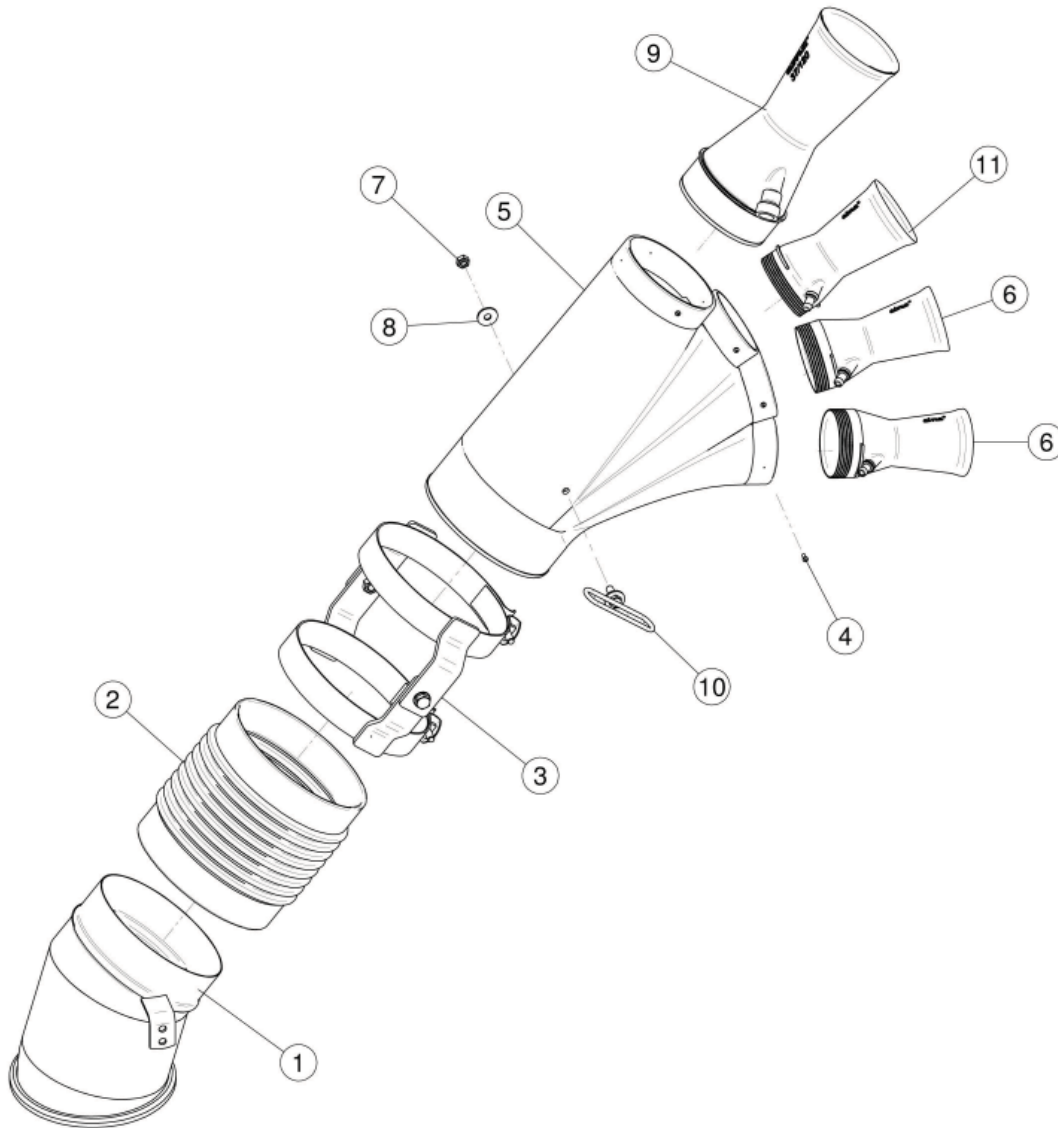
July 2013

TABLE OF CONTENTS



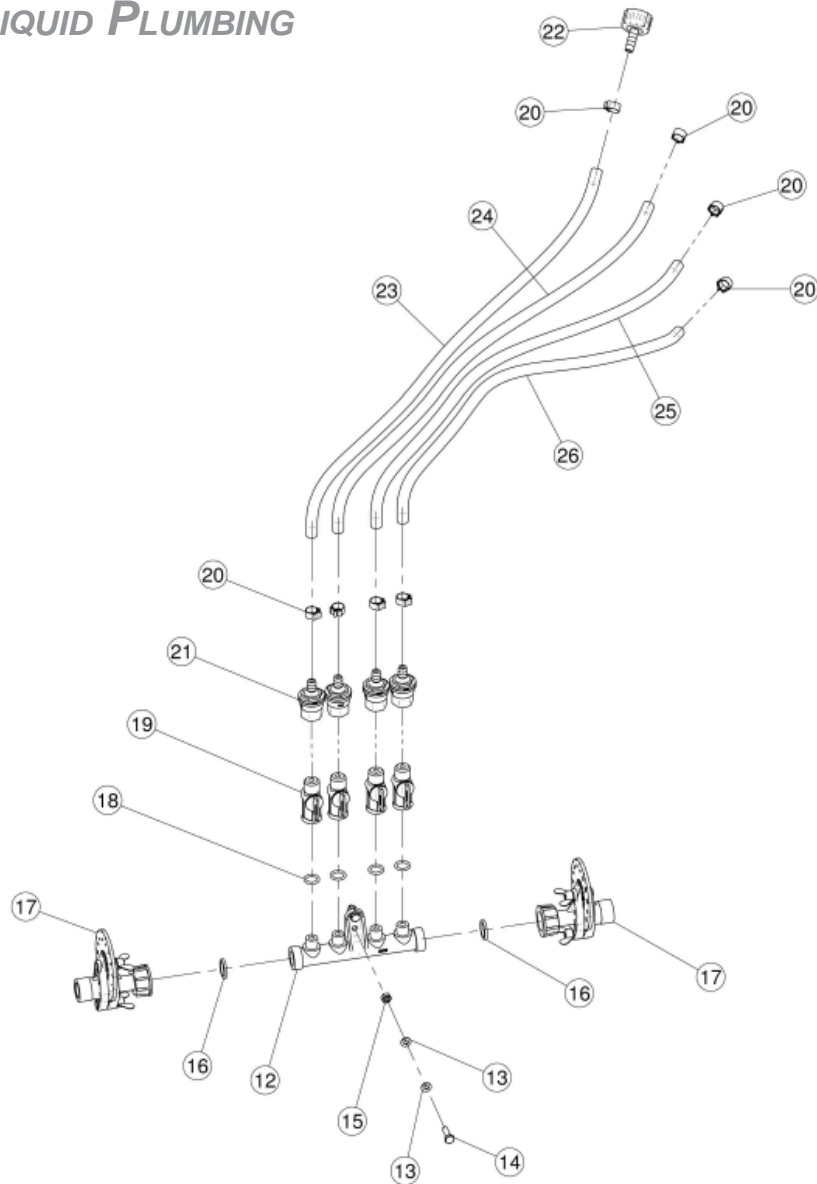
<u>SECTION</u>	<u>DESCRIPTION</u>	<u>PAGE</u>
1	Air Duct/Nozzle Parts	1
2	Liquid Parts	2
3	Extension Tubes & Clamp	3
4	Manifold & Shut-Off Valves.....	4
5	Dial-A-Rate	5

Sec. 01 - AIR DUCT / NOZZLE PARTS



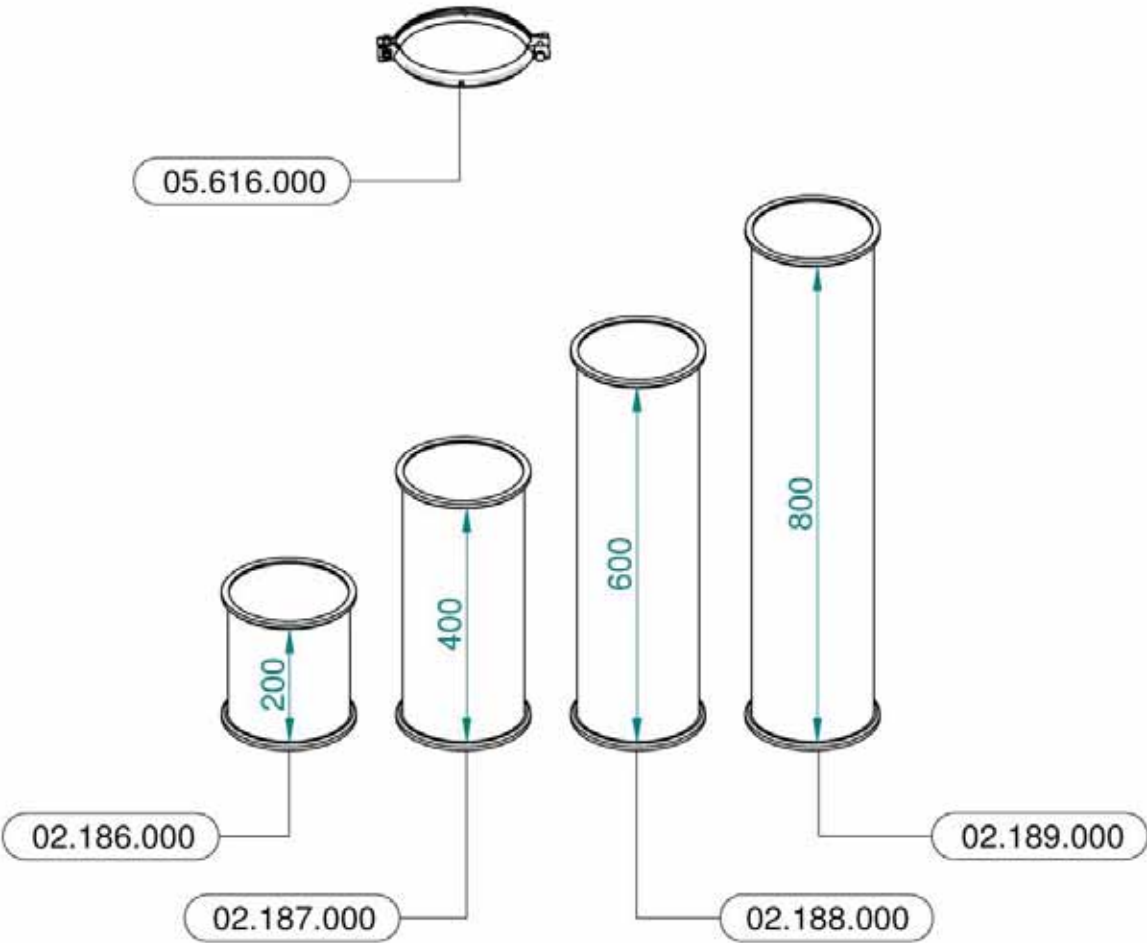
<u>REF.</u>	<u>QTY.</u>	<u>PART NO.</u>	<u>DESCRIPTION</u>
1	1	02.803.000	Olive Head Bottom Body D.175
2	1	02.146.010	Flexible Sleeve
3	1	02.804.000	Olive Head Clamp
4	13	TA.03.5.09.5I	Self Threading D.3.5 x 9.5
5	1	00.533.000	Olive Body
6	2	10.017.080	Nozzle 17/80
7	1	DO.08.5588G	Nut M8
8	1	RP.008.024	Washer D.8 x 24
9	1	10.037.120	Nozzle 37/120
10	1	21.036.000	Bracket
11	1	10.022.080	Nozzle 22/80

Sec. 02 - LIQUID PLUMBING

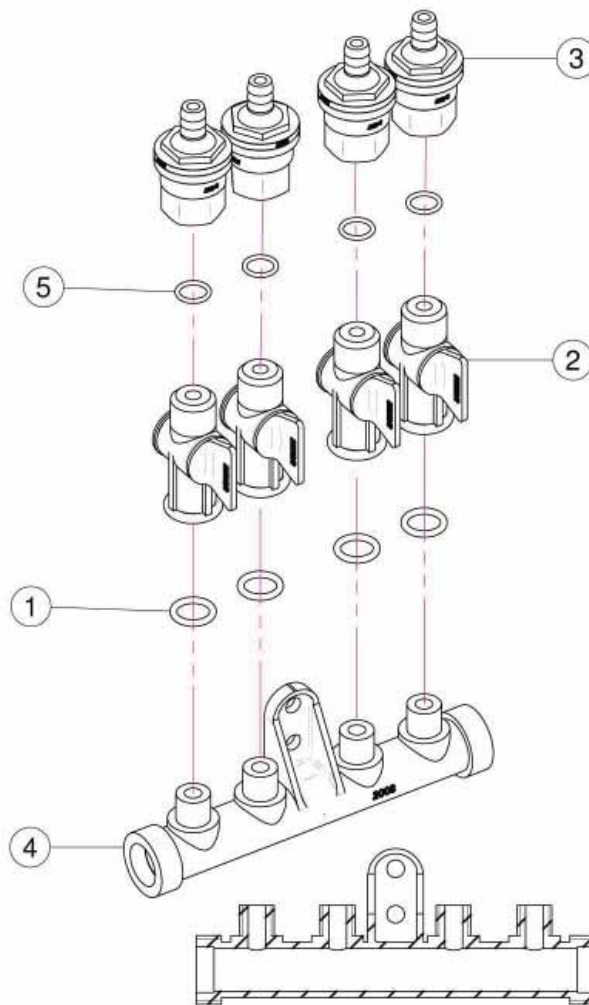


<u>REF.</u>	<u>QTY.</u>	<u>PART NO.</u>	<u>DESCRIPTION</u>
12	1	02.008.000	Sprayheads Liquid Manifold
13	4	RP.006.000	Washer D.6
14	2	TE.006.020T	Screw TE M6 x 20
15	2	DO.06.5588G	Nut M6
16	2	02.349.000	17 x 23 x 3 Flat Gasket
17	2	02.150.000	Rotation Disk Regulation
18	4	OR.000.117	13.1 x 18.34 x 2.62 O-Ring Gasket
19	4	20.202.100	Tap Assembly
20	8	FC.013.5.015	Hose Clamp
21	4	00.227.01C	Antidrip Valve
22	1	21.010.000	Complete R.H. D.10 Union
23	As Req'd	02.217.000	Hose D.8 x 13 L=520 (Per Foot)
24	As Req'd	02.217.000	Hose D.8 x 13 L=560 (Per Foot)
25	As Req'd	02.217.000	Hose D.8 x 13 L=490 (Per Foot)
26	As Req'd	02.217.000	Hose D.8 x 13 L=490 (Per Foot)

Sec. 03 - EXTENSION TUBES & CLAMPS

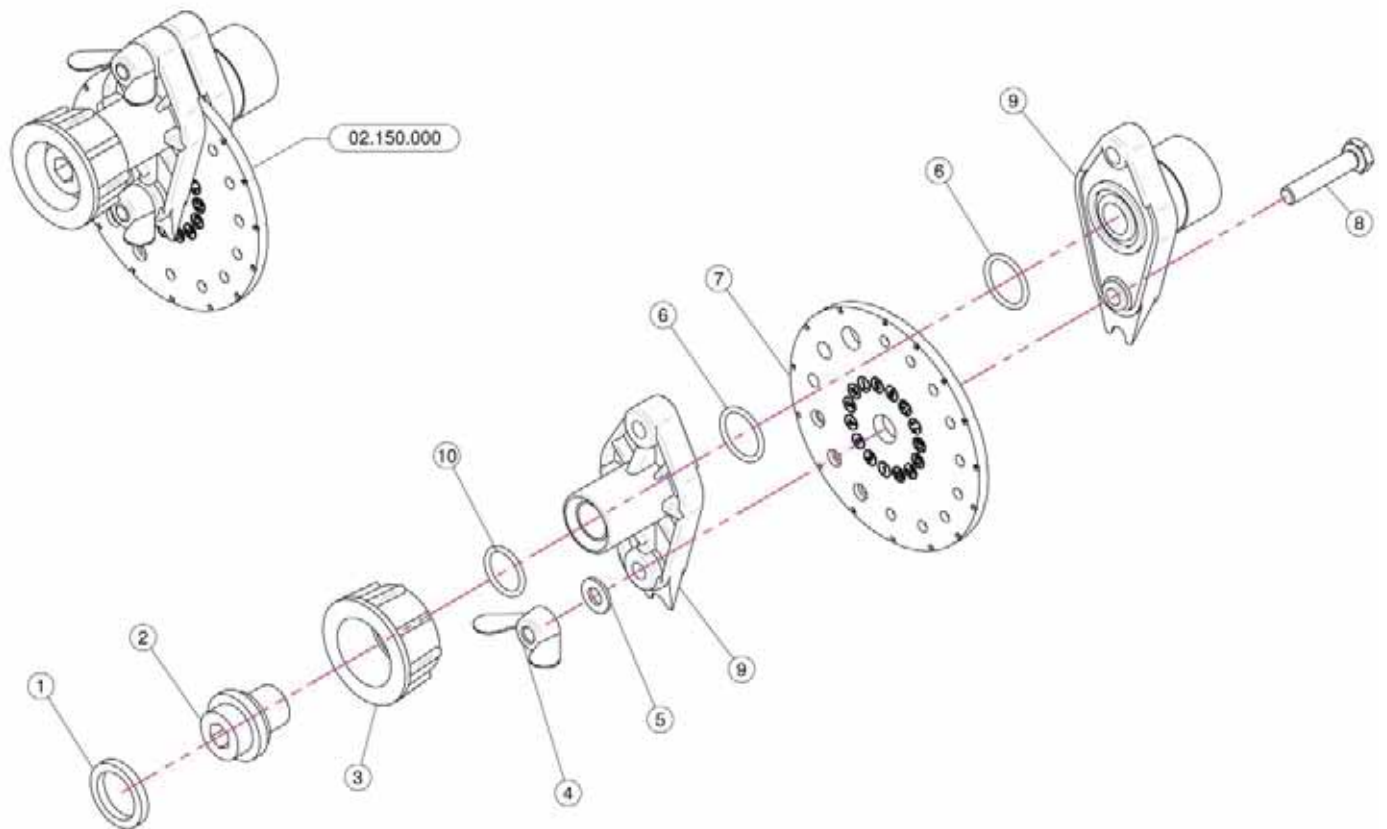


Sec. 04 - MANIFOLD & SHUT-OFF VALVES



<u>REF.</u>	<u>QTY.</u>	<u>PART NO.</u>	<u>DESCRIPTION</u>
		02.008.304C	Complete Assembly
1	4	OR.000.117	13.1 x 18.34 x 2.62 O-Ring Gasket
2	4	20.202.100	Tap Assembly
3	4	00.227.01C	Anti-Drip Valve
4	1	02.008.000	Sprayheads Liquid Manifold
5	4	OR.002.043	10.82 x 14.38 x 1.78 Nbr 70 O-Ring Gasket

Sec. 05 - DIAL-A-RATE



<u>REF.</u>	<u>QTY.</u>	<u>PART NO.</u>	<u>DESCRIPTION</u>
1	1	02.349.000	17 x 23 x 3 Flat Gasket
2	1	02.117.000	Adaptor Nipple
3	1	2002030	3/4" Fly Nut
4	2	DF.OTT.006	Wing Nut M6
5	2	RP.006.000I	INOX Washer D.6
6	2	OR1560178	D.15.6 x 1.78 O-Ring
7	1	02.148.000	Regulator Disc
8	2	TE.006.030I	INOX M6 x 30 Bolt
9	1	02.147.000	Regulator Body
10	1	OR1242178	O-Ring D.12.37 x 2.62