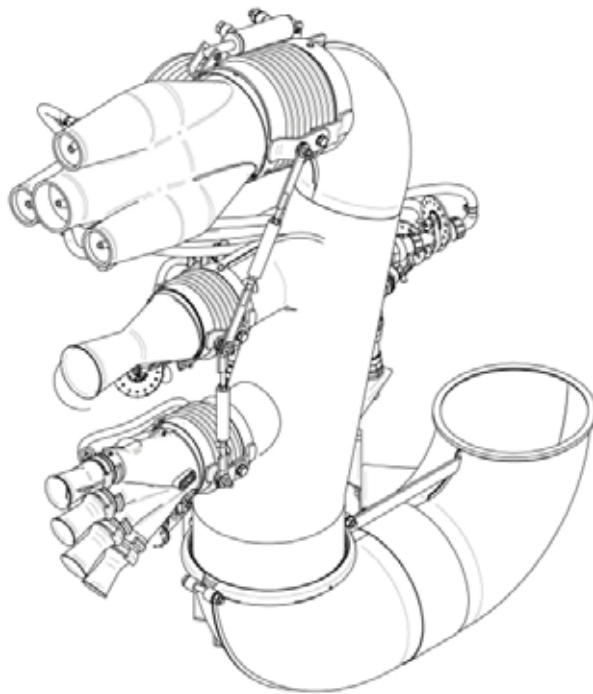




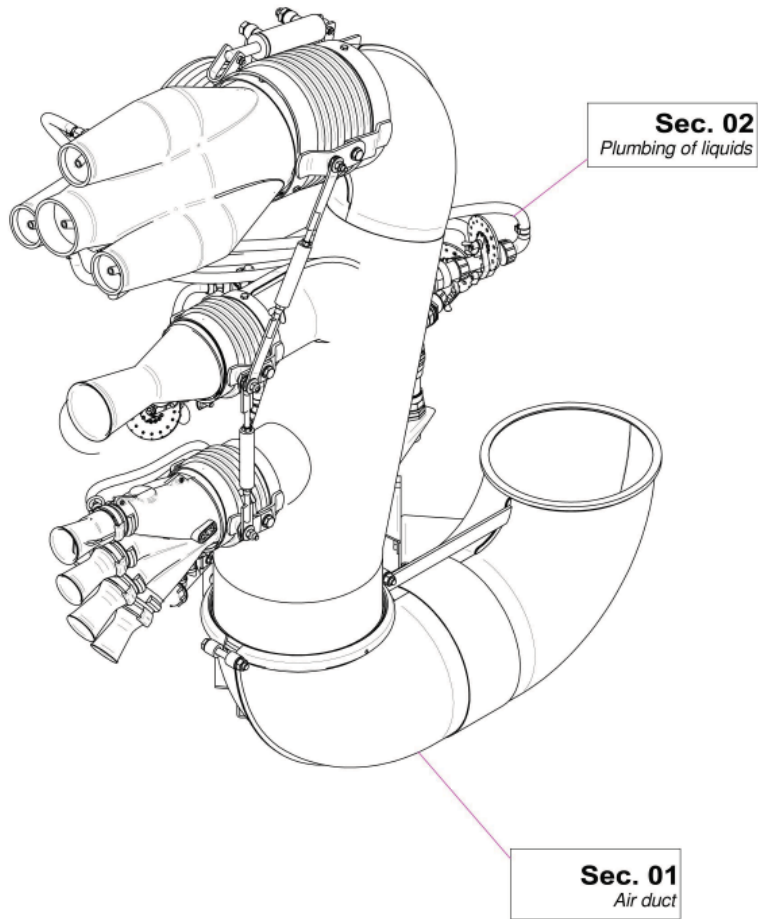
VENTURI AIR SPRAYERS HORIZONTAL CANNONS Low Position



**Parts Manual For
TGC1805512 Cannon
For P55 Sprayers**

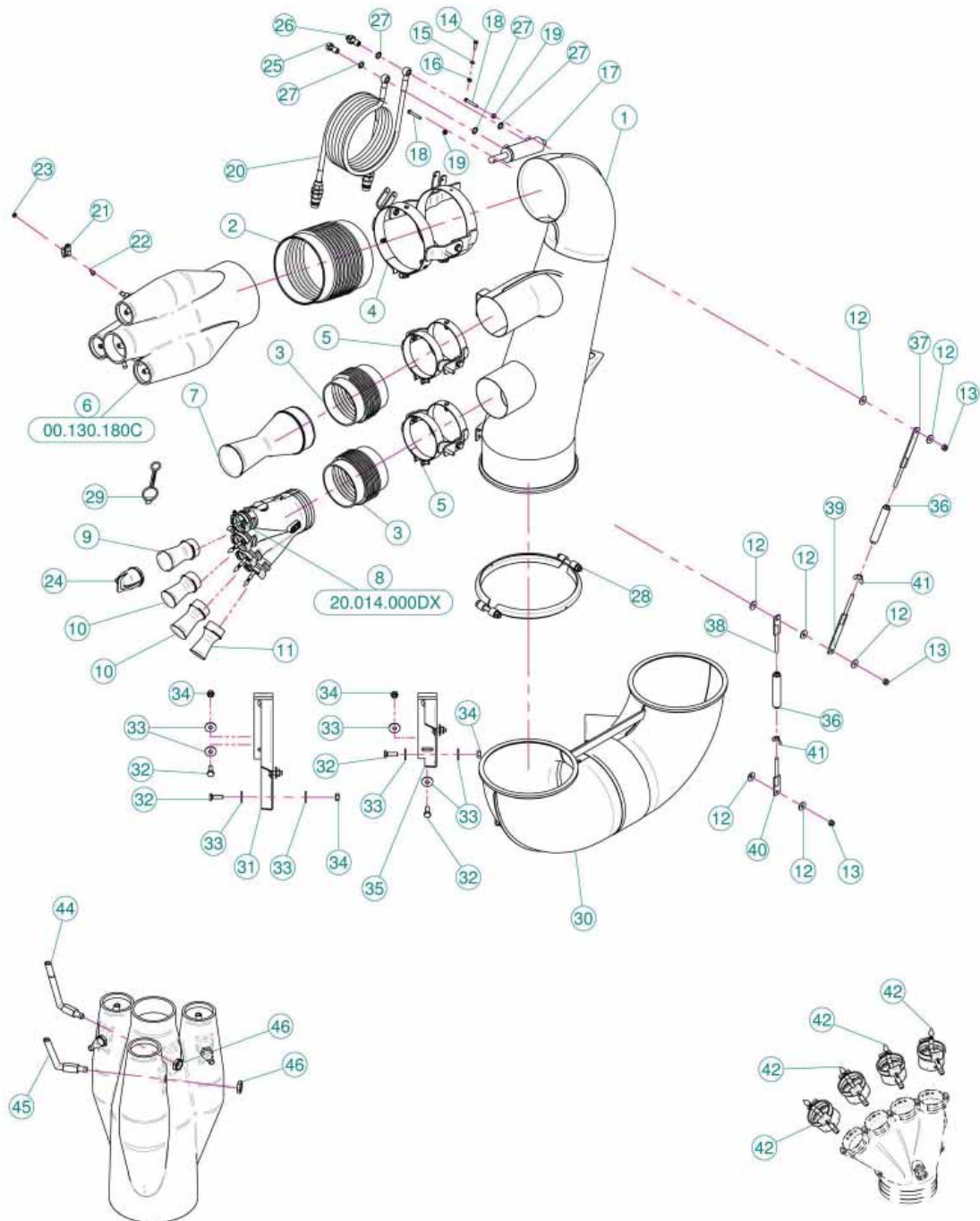
July 2013

TABLE OF CONTENTS



<u>SECTION</u>	<u>DESCRIPTION</u>	<u>PAGE</u>
1	Air Duct/Nozzle Parts	1-2
2	Liquid Parts	3-4
3	Manifold & Shut-Off Valves.....	5
4	Dial-A-Rate	6

Sec. 01 - AIR DUCT / NOZZLE PARTS

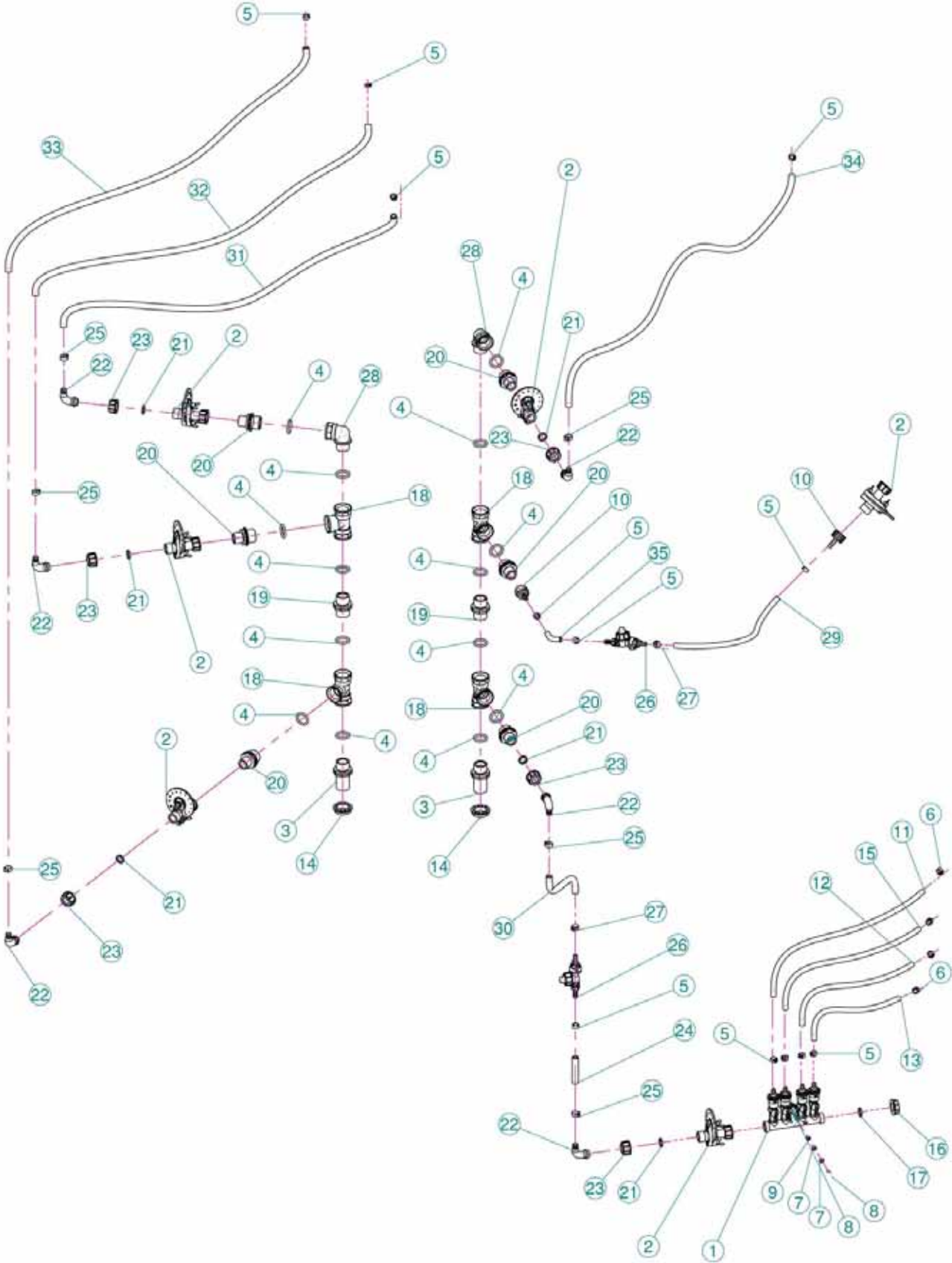


<u>REF.</u>	<u>QTY.</u>	<u>PART NO.</u>	<u>DESCRIPTION</u>
1	1	02.813.010	Sliding Nozzle Can non Body
2	1	02.146.010	Flexible Sleeve
3	2	02.021.000	Flexible Sleeve
4	1	02.735.300	Cannon Sprayer Clamp D.175
5	2	02.140.220	Cannon Sprayer Clamp D.127
6	1	00.130.180C	Complete Nozzle 130/180

Sec. 01 - AIR DUCT / NOZZLE PARTS

<u>REF.</u>	<u>QTY.</u>	<u>PART NO.</u>	<u>DESCRIPTION</u>
7	1	10.022.5.120	Nozzle 22.5/120
8	1	20.014.000SX	Four Outlets
9	1	00.010.050	Nozzle 10/50
10	2	00.008.050	Nozzle 8/50
11	1	00.006.050	Nozzle 6/50
12	7	RP.008.024	Washer D.8 x 24
13	3	DA.008.0AG	Self Locking Nut M8
14	6	TE.006.020T	Screw TE M6 x 20
15	6	RP.006.000	Washer D.6
16	6	D0.06.5588G	Nut M6
17	1	02.840.04C	Jack
18	2	TC.06.40.071	INOX Screw M6 x 40
19	2	DA.006.0AG	Self Locking Nut - High M6
20	2	20.900.370	Oil Pipe For Jack L=3700
21	1	FG.018.000	Sticker
22	1	TCC.06.16	Cross Slotted Screw M6 x 16
23	1	DOT.06.5587	M6 Brass Nut 5587
24	1	02.127.000	Cap Nozzle Plug
25	1	02.408.000	Jack Eye Right Union
26	1	20.718.000	Flow Regulator
27	4	02.472.000	Copper Washer
28	1	05.813.000	Clamp D.275
29	1	20.697.000	Nozzle Stop
30	1	05.802.050	Elbow 180° D.250
31	1	05.802.051	Elbow Fixing Bracket
32	8	TE.010.030T	Screw TE M10 x 30
33	16	RP.010.030	Washer D.10 x 30 mm
34	8	D0.10.5587G	Nut M10
35	1	05.802.151	Elbow Fixing Bracket
36	2	50.359.000	Stretcher For Cannon Sprayhead
37	1	50.360.000	Right Plate With Threaded Bar
38	1	50.362.000	Right Plate With Threaded Bar
39	1	50.361.000	Left Plate With Threaded Bar
40	1	50.363.000	Left Plate With Threaded Bar
41	2	DF.OTT.008	Wing Nut M8
20.014.000DX			
42	4	20.016.01C	Pipe With Olive
00.130.180C			
44	1	50.225.000	Multiple Nozzle's Pipe
45	3	50.225.100	Multiple Nozzle's Pipe
46	4	20.790.000C	Nut 3/8"

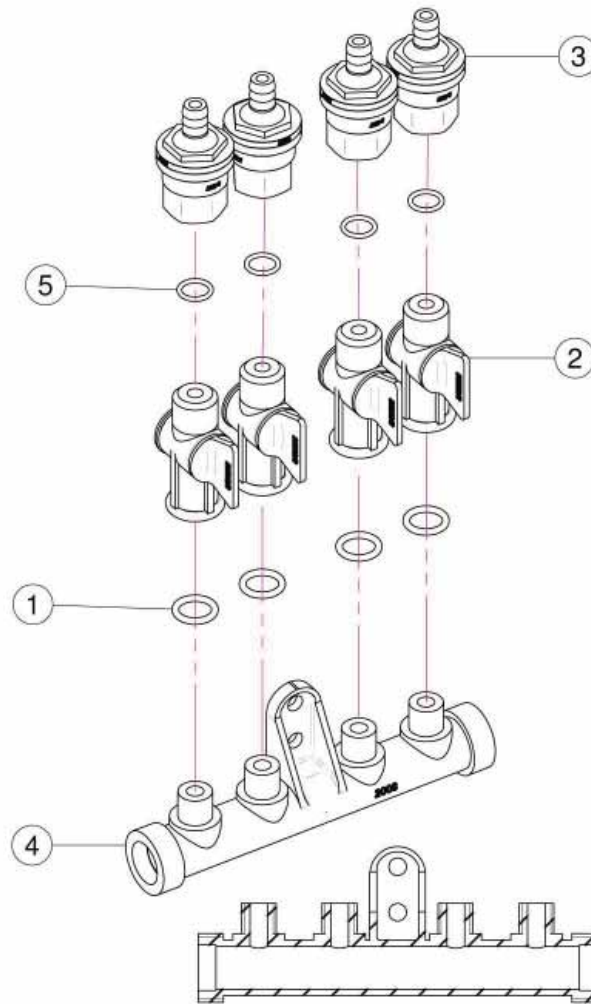
Sec. 02 - LIQUID PLUMBING



Sec. 02 - LIQUID PLUMBING

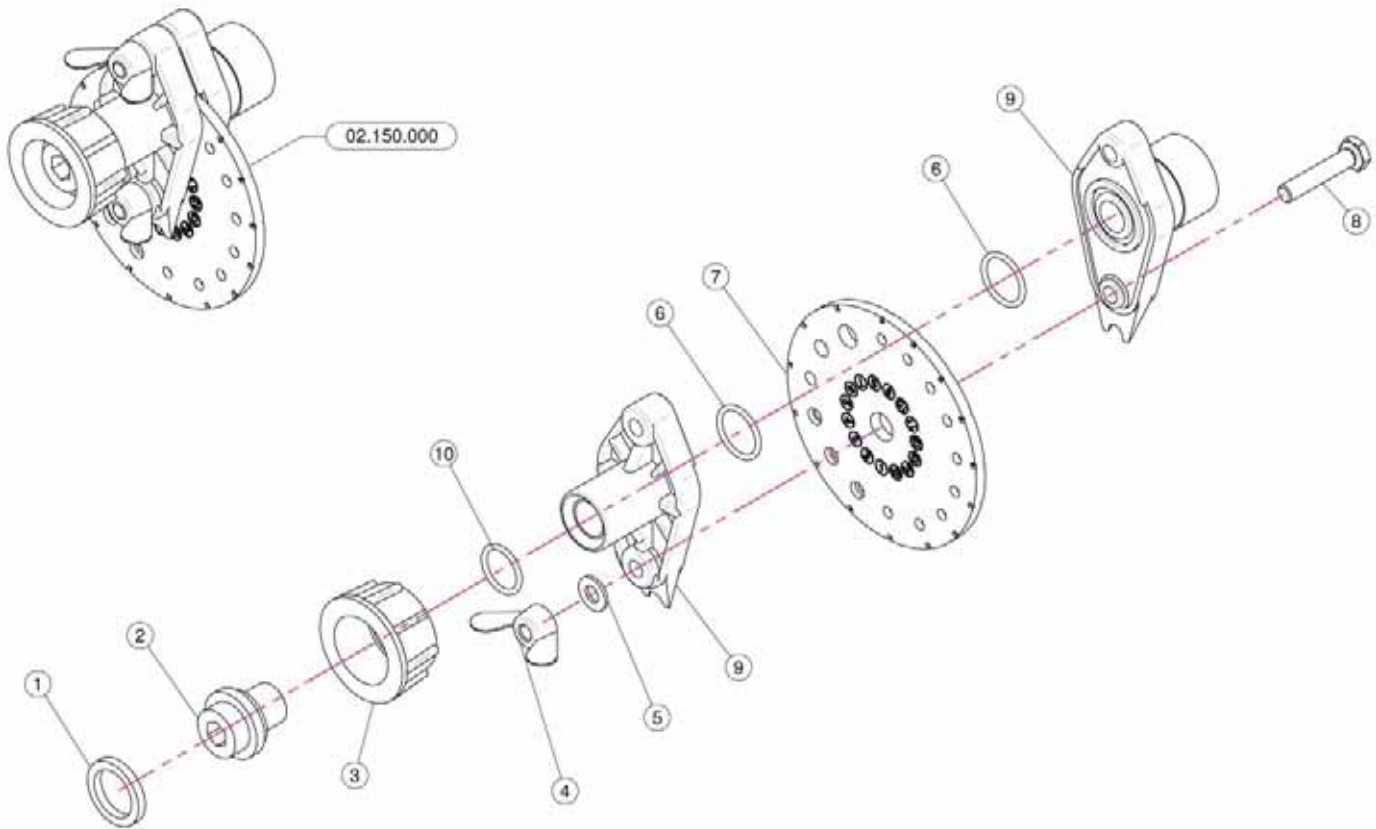
<u>REF.</u>	<u>QTY.</u>	<u>PART NO.</u>	<u>DESCRIPTION</u>
1	1	02.008.304C	4 Taps Liquid Manifold
2	6	02.150.000	Rotation Disc Regulation
3	2	00.055.034.L	Long Nipple 1" / 1" GAS
4	14	OR.000.507	27 x 5 O-Ring Gasket
5	12	FC.013.5.015	Hose Clamp
6	4	FC.012.5.014	Hose Clamp
7	4	RP.006.000	Washer D.6
8	2	TE.006.020T	Screw TE M6 x 20
9	2	D0.06.5588G	Nut M6
10	2	21.010.000	Complete R.H. D.10 Union
11	As Req'd	02.217.000	Hose D.8 x 13 L=520 (Per Foot)
12	As Req'd	02.217.000	Hose D.8 x 13 L=50 cm (Per Foot)
13	As Req'd	02.217.000	Hose D.8 x 13 L=41 cm (Per Foot)
14	2	00.542.000	Nut 1"
15	As Req'd	02.217.000	Hose D.8 x 13 L=54 cm (Per Foot)
16	1	02.182.000	Female 3/4" Cap
17	1	02.030.010	Gasket
18	4	02.274.000	Female Tesse 1"
19	2	00.055.034	Nipple 1" / 1" GAS
20	6	02.293.000	1" M - 3/4" M Reducer Nipple
21	6	02.349.000	17 x 23 x 3 Flat Gasket
22	6	00.055.046R	Curved Union With R.H. D.14
23	6	00.055.045	3/4" Fly Nut
24	As Req'd	02.213.000	Hose D.10 x 16 L=70 (Per Foot)
25	6	FC.016.5.018	Hose Clamp 16.5 - 18
26	2	00.226.05C	Complete Antidrop
27	2	FC.015.5.017	Hose Clamp
28	2	24.054.000	Hosetail M-F 1"
29	As Req'd	02.217.000	Hose D.8 x 13 L=280 (Per Foot)
30	As Req'd	02.213.000	Hose D.10 x 16 L=60 (Per Foot)
31	As Req'd	02.213.000	Hose D.10 x 16 L=950 (Per Foot)
32	As Req'd	02.213.000	Hose D.10 x 16 L=1130 (Per Foot)
33	As Req'd	02.213.000	Hose D.10 x 16 L=1080 (Per Foot)
34	As Req'd	02.213.000	Hose D.10 x 16 L=900 (Per Foot)
35	As Req'd	02.217.000	Hose D.8 x 13 L=070 (Per Foot)

Sec. 03 - MANIFOLD & SHUT-OFF VALVES



<u>REF.</u>	<u>QTY.</u>	<u>PART NO.</u>	<u>DESCRIPTION</u>
		02.008.304C	Complete Assembly
1	4	OR.000.117	13.1 x 18.34 x 2.62 O-Ring Gasket
2	4	20.202.100	Tap Assembly
3	4	00.227.01C	Anti-Drip Valve
4	1	02.008.000	Sprayheads Liquid Manifold
5	4	OR.002.043	10.82 x 14.38 x 1.78 Nbr 70 O-Ring Gasket

Sec. 04 - *DIAL-A-RATE*



REF.	QTY.	PART NO.	DESCRIPTION
1	1	02.349.000	17 x 23 x 3 Flat Gasket
2	1	02.117.000	Adaptor Nipple
3	1	2002030	3/4" Fly Nut
4	2	DF.OTT.006	Wing Nut M6
5	2	RP.006.000I	INOX Washer D.6
6	2	OR1560178	D.15.6 x 1.78 O-Ring
7	1	02.148.000	Regulator Disc
8	2	TE.006.030I	INOX M6 x 30 Bolt
9	1	02.147.000	Regulator Body
10	1	OR1242178	O-Ring D.12.37 x 2.62