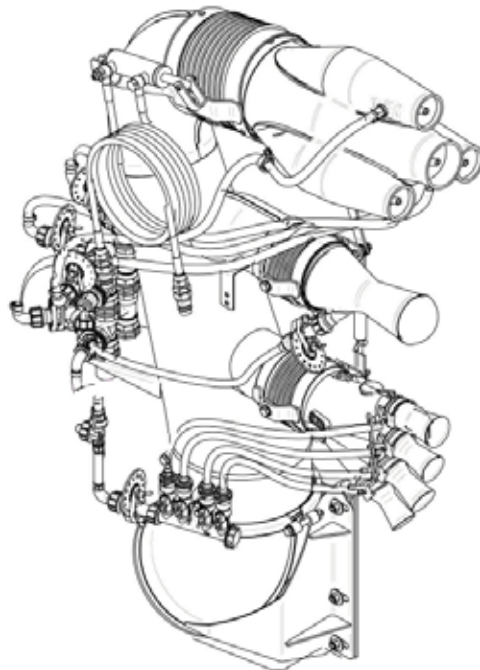




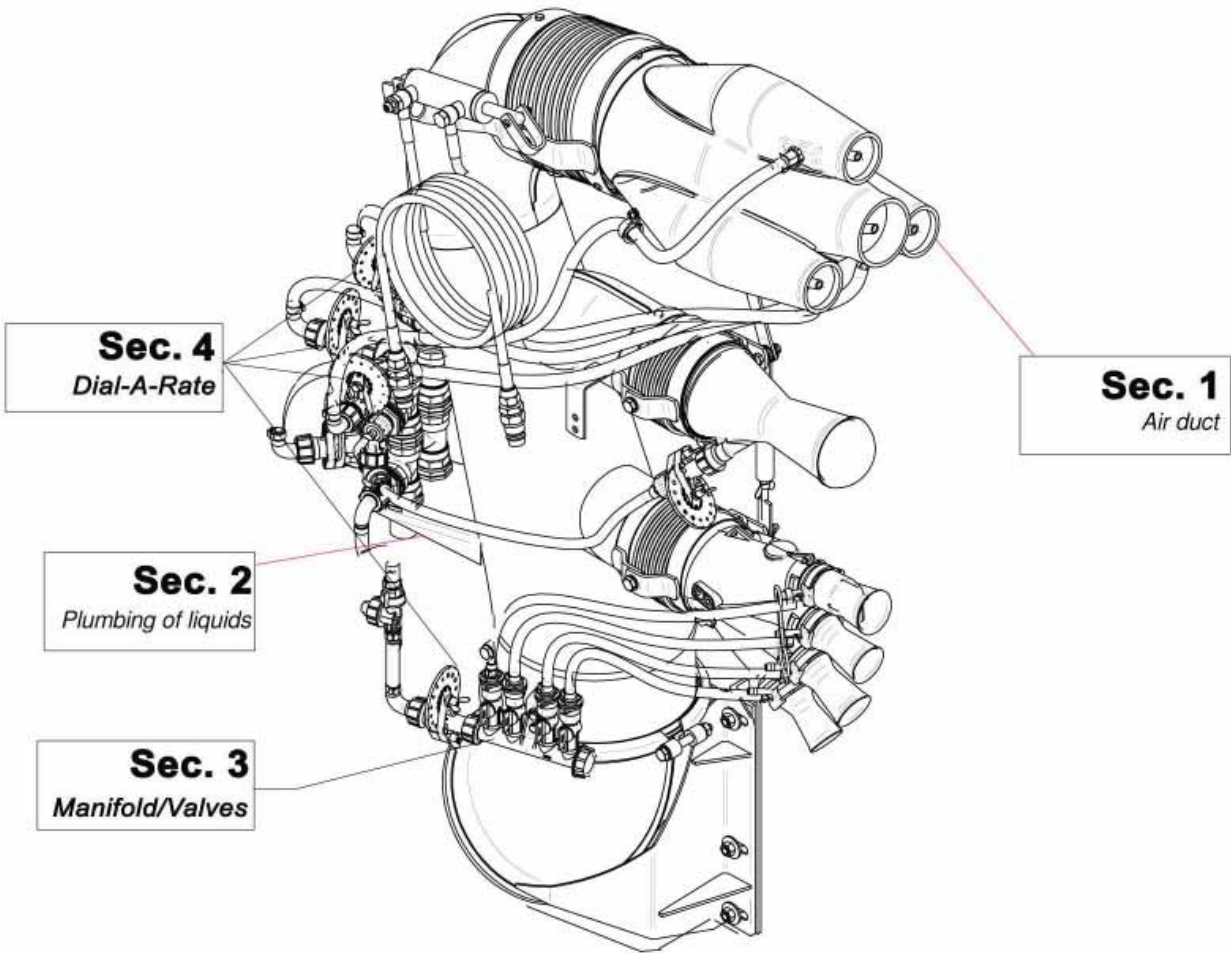
VENTURI AIR SPRAYERS HORIZONTAL CANNONS



Parts Manual For TGC0455512 High Position Cannon For P55 Sprayers

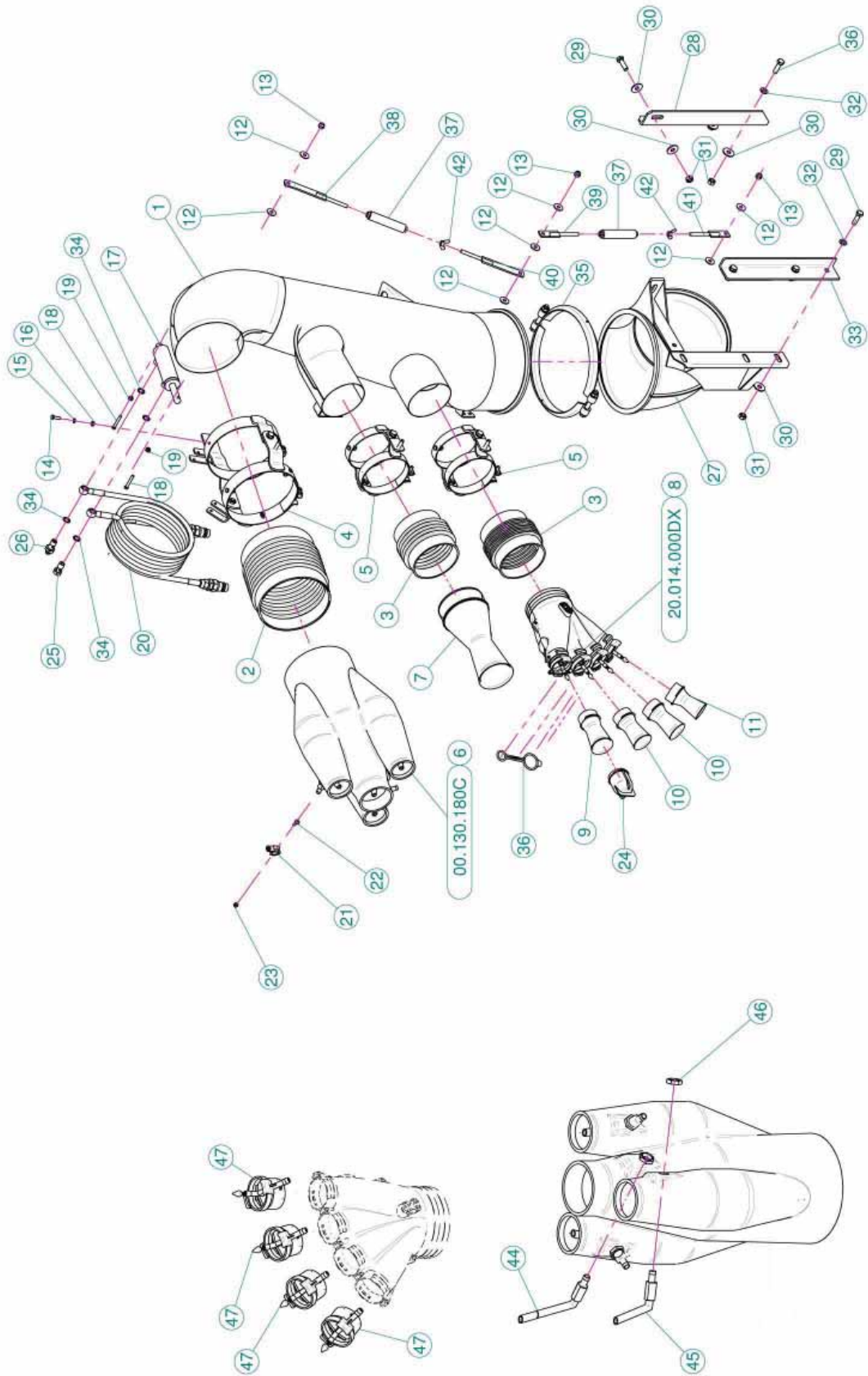
June 2013

TABLE OF CONTENTS



<u>SECTION</u>	<u>DESCRIPTION</u>	<u>PAGE</u>
1	Air Duct/Nozzle Parts	1-2
2	Liquid Parts	3-4
3	Manifold & Shut-Off Valves.....	5
4	Dial-A-Rate	6

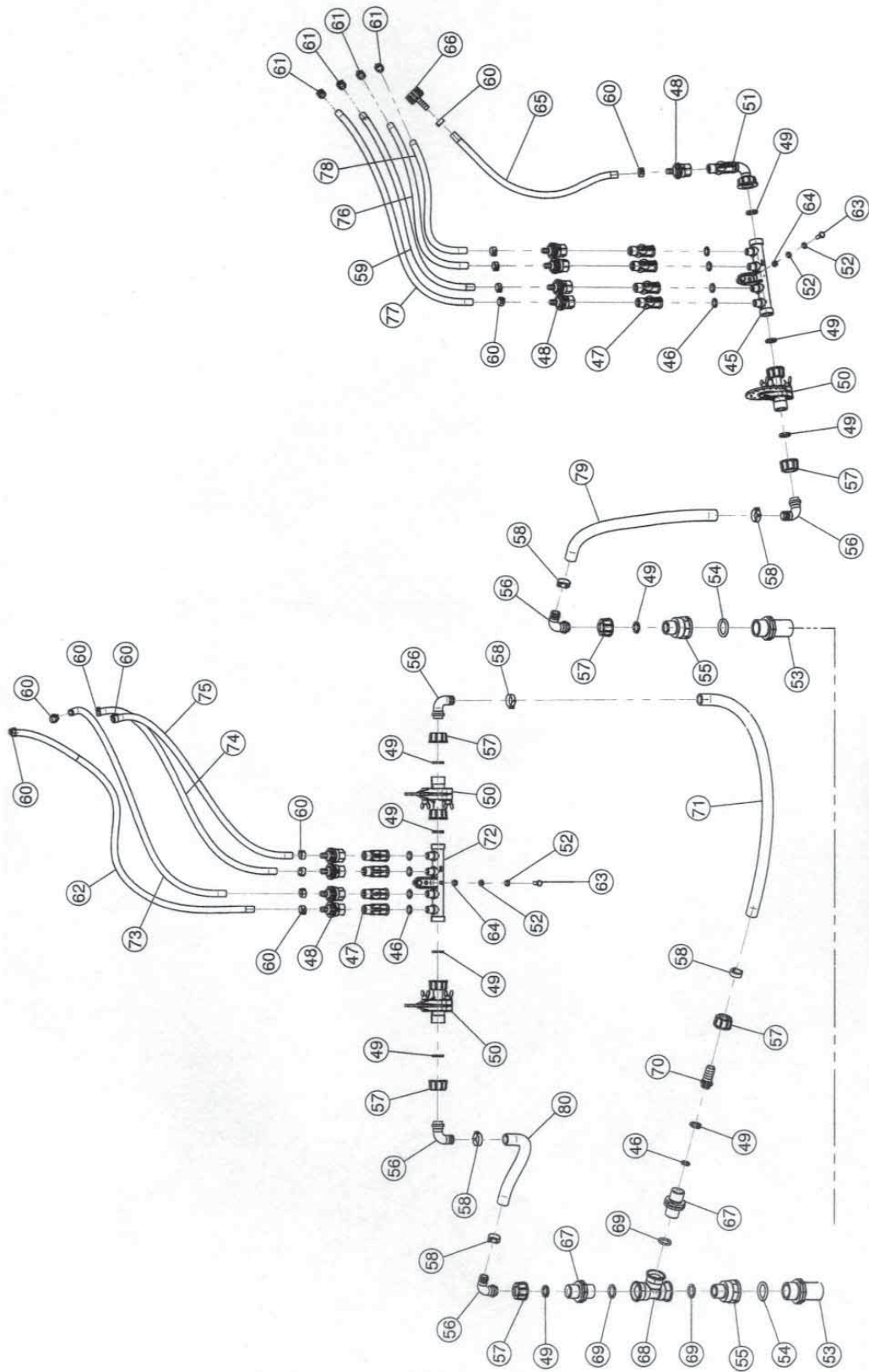
Sec. 01 - AIR DUCT / NOZZLE PARTS



Sec. 01 - AIR DUCT / NOZZLE PARTS

<u>REF.</u>	<u>QTY.</u>	<u>PART NO.</u>	<u>DESCRIPTION</u>
1	1	02.813.010	Sliding Nozzle Cannon Body
2	1	02.146.010	Flexible Sleeve
3	2	02.021.000	Flexible Sleeve
4	1	02.735.300	Cannon Sprayer Clamp D.175
5	2	02.140.220	Cannon Sprayer Clamp D.127
6	1	00.130.180C	Complete Nozzle 130/180
7	1	10.022.5.120	Nozzle 22.5/120
8	1	20.014.000SX	Four Outlets
9	1	00.010.050	Nozzle 10/50
10	2	00.008.050	Nozzle 8/50
11	1	00.006.050	Nozzle 6/50
12	7	RP.008.024	Washer D.8 x 24
13	3	DA.008.0AG	Self Locking Nut M8
14	6	TE.006.020T	Screw TE M6 x 20
15	6	RP.006.000	Washer D.6
16	6	D0.06.5588G	Nut M6
17	1	02.840.04C	Jack
18	2	TC.06.40.071	INOX Screw M6 x 40
19	2	DA.006.0AG	Self Locking Nut - High M6
20	2	20.900.370	Oil Pipe for Jack L=3700
21	1	FG.018.000	Sticker
22	1	TCC.06.16	Cross Slotted Screw M6 x 16
23	1	DOT.06.5587	M6 Brass Nut 5587
24	1	02.127.000	Cap Nozzle Plug
25	1	02.408.000	Jack Eye Right Union
26	1	20.718.000	Flow Regulator
27	1	05.809.050	45° Bend D.250
28	1	05.809.051	45° Elbow Bracket
29	6	TE.010.035T	Screw TE 10 x 35
30	7	RP.010.030	Washer D.10 x 30 mm
31	6	D0.10.5587G	Nut M10
32	5	RP.010.000	Washer D.10
33	1	50.331.000	Elbow Bracket
34	4	02.472.000	Copper Washer
35	1	05.813.000	Clamp D.275
36	4	20.697.000	Nozzle Stop
37	2	50.359.000	Stretcher For Cannon Sprayhead
38	1	50.360.000	Right Plate With Threaded Bar
39	1	50.362.000	Right Plate With Threaded Bar
40	1	50.361.000	Left Plate With Threaded Bar
41	1	50.363.000	Left Plate With Threaded Bar
42	2	DF.OTT.008	Wing Nut M8
00.130.180C			
44	1	50.225.000	Multiple Nozzle's Pipe
45	3	50.225.100	Multiple Nozzle's Pipe
46	4	20.790.000C	Nut 3/8"

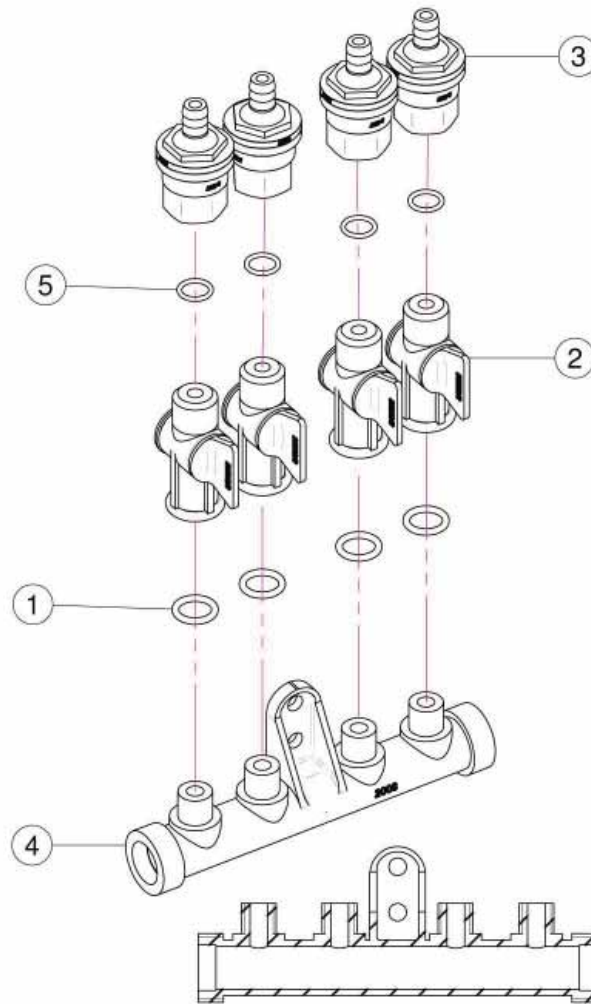
Sec. 02 - LIQUID PLUMBING



Sec. 02 - LIQUID PLUMBING

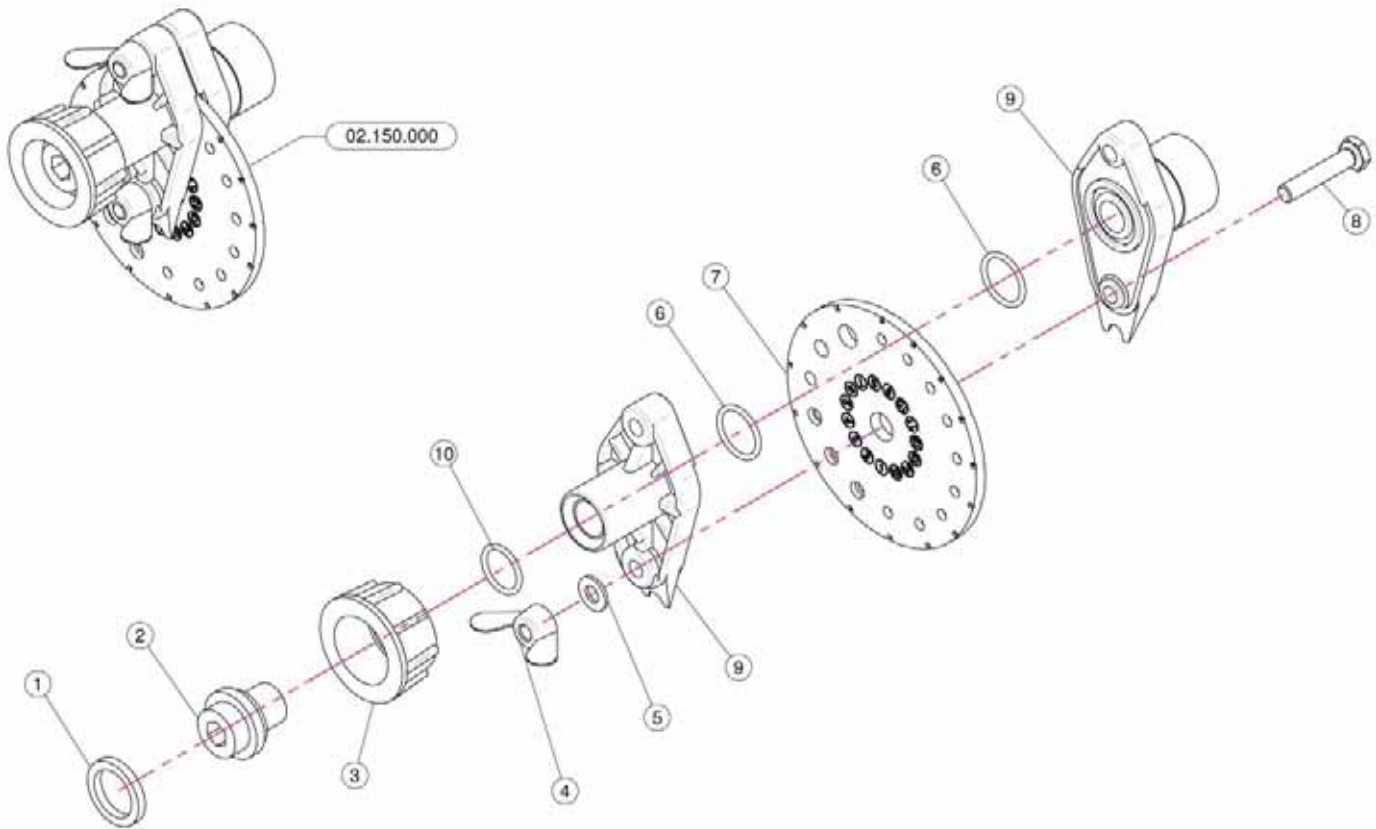
<u>REF.</u>	<u>QTY.</u>	<u>PART NO.</u>	<u>DESCRIPTION</u>
45	1	02.008.000	Sprayhead Liquid Manifold
46	9	OR.000.117	13.1 x 18.34 x 2.62 O-Ring Gasket
47	8	20.202.100	Tap Assembly
48	9	00.227.01C	Antidrip Valve
49	11	02.349.000	17 x 23 x 3 Flat Gasket
50	3	02.150.000	Rotation Disc Regulation
51	1	20.202.102C	Tap Assembly With Elbow
52	8	RP.006.000	Washer D.6
53	2	00.055.034.L	Long Nipple 1" / 1" GAS
54	2	OR.000.507	27 x 5 O-Ring Gasket
55	2	02.294.000	3/4" M - 1" F. Reduction
56	5	00.055.046	Curved Union With R.H. D.17
57	6	00.055.045	3/4" Fly Nut
58	6	FC.023.5.025	Hose Clamp 23.5 - 25
59	1	02.217.000	Hose D.8 x 13 L=470 (Per Foot)
60	14	FC.013.5.015	Hose Clamp
61	4	FC.012.5.014	Hose Clamp
62	1	02.217.000	Hose D.8 x 13 L-860 (Per Foot)
63	4	TE.006.020T	Screw TE M6 x 20
64	4	D0.06.5588G	Nut M6
65	1	02.217.000	Hose D.8 x 13 L=480 (Per Foot)
66	1	21.010.000	Complete R.H. D.10 Union
67	2	02.380.000	Nipple 3/4"
68	1	02.396.000	Union 3/4" - 3/4" - 3/4" F.
69	3	OR.004.081	20.22 x 3.53 O-Ring Gasket
70	1	02.002.000	Straight Union 3/4" R.H. 18
71	1	02.211.000	Hose D.16 x 23 L=550 (Per Foot)
72	1	02.008.100	Sprayheads Liquid Manifold
73	1	02.217.000	Hose D.8 x 13 L=700 (Per Foot)
74	1	02.217.000	Hose D.8 x 13 L=700 (Per Foot)
75	1	02.217.000	Hose D.8 x 13 L=700 (Per Foot)
76	1	02.217.000	Hose D.8 x 13 L=400 (Per Foot)
77	1	02.217.000	Hose D.8 x 13 L=520 (Per Foot)
78	1	02.217.000	Hose D.8 x 13 L=320 (Per Foot)
79	1	02.211.000	Hose D.16 x 23 L=200 (Per Foot)
80	1	02.211.000	Hose D.16 x 23 L=400 (Per Foot)

Sec. 03 - MANIFOLD & SHUT-OFF VALVES



<u>REF.</u>	<u>QTY.</u>	<u>PART NO.</u>	<u>DESCRIPTION</u>
		02.008.304C	Complete Assembly
1	4	OR.000.117	13.1 x 18.34 x 2.62 O-Ring Gasket
2	4	20.202.100	Tap Assembly
3	4	00.227.01C	Anti-Drip Valve
4	1	02.008.000	Sprayheads Liquid Manifold
5	4	OR.002.043	10.82 x 14.38 x 1.78 Nbr 70 O-Ring Gasket

Sec. 04 - *DIAL-A-RATE*



REF.	QTY.	PART NO.	DESCRIPTION
1	1	02.349.000	17 x 23 x 3 Flat Gasket
2	1	02.117.000	Adaptor Nipple
3	1	2002030	3/4" Fly Nut
4	2	DF.OTT.006	Wing Nut M6
5	2	RP.006.000I	INOX Washer D.6
6	2	OR1560178	D.15.6 x 1.78 O-Ring
7	1	02.148.000	Regulator Disc
8	2	TE.006.030I	INOX M6 x 30 Bolt
9	1	02.147.000	Regulator Body
10	1	OR1242178	O-Ring D.12.37 x 2.62