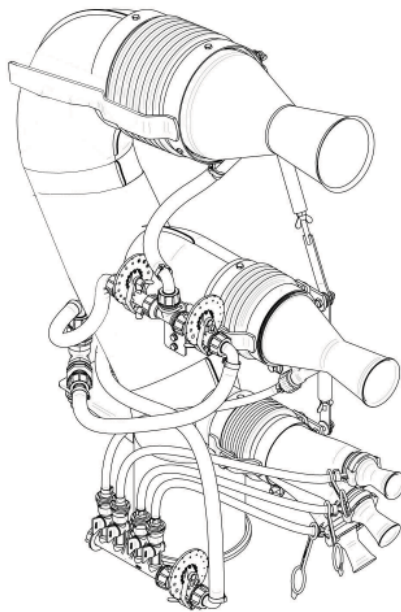




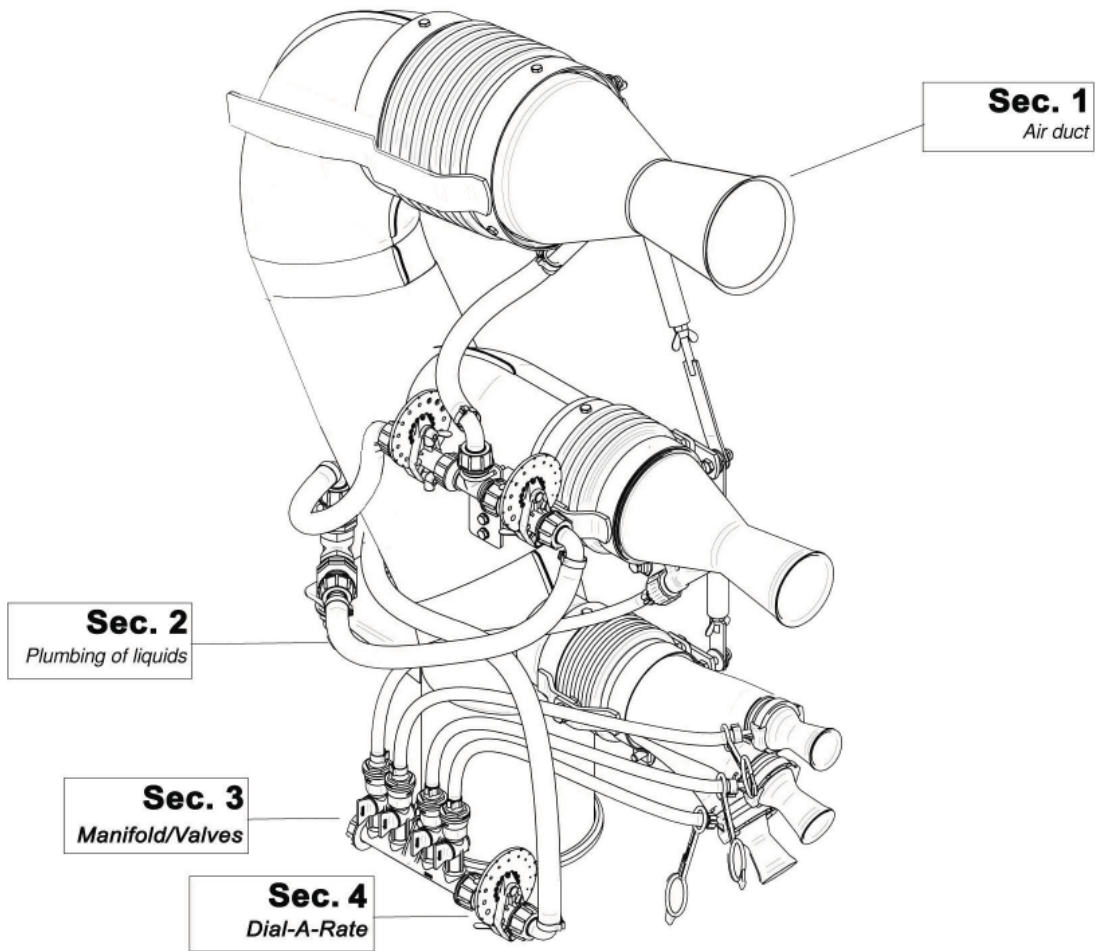
VENTURI AIR SPRAYERS HORIZONTAL CANNONS High Position



**Parts Manual For
TGC0454512 Cannon
For P45 Sprayers**

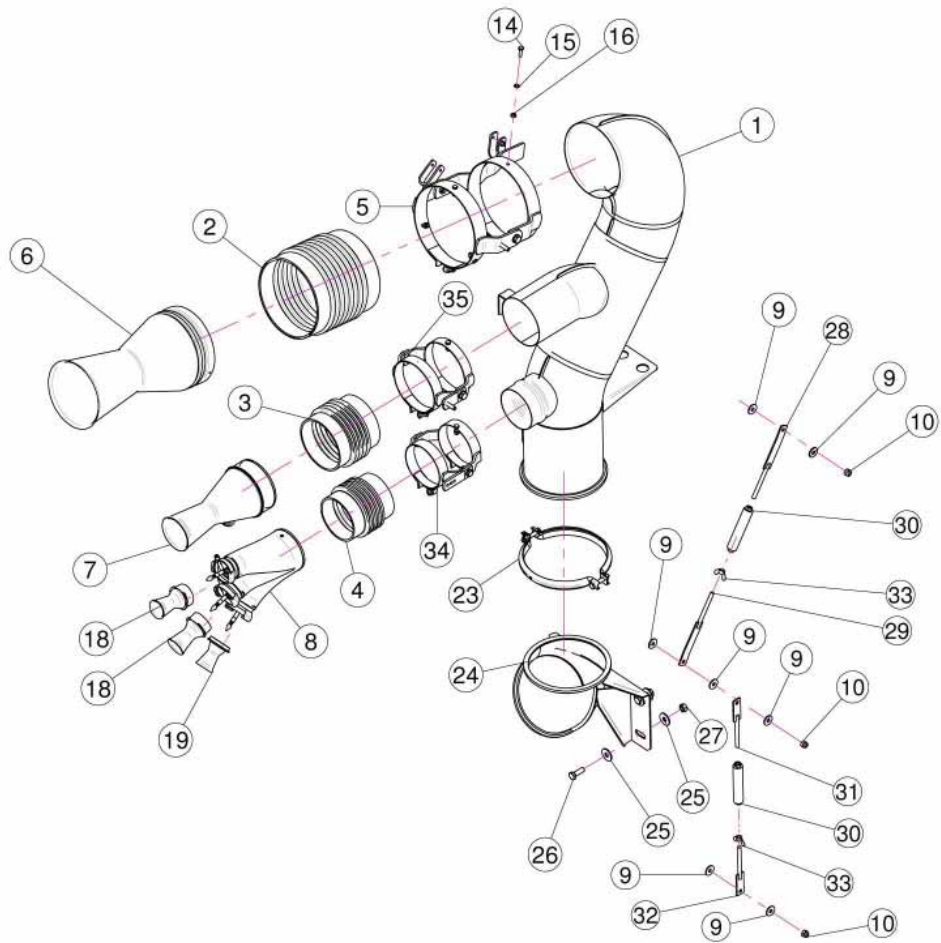
July 2013

TABLE OF CONTENTS



<u>SECTION</u>	<u>DESCRIPTION</u>	<u>PAGE</u>
1	Air Duct/Nozzle Parts	1-2
2	Liquid Parts	3-4
3	Manifold & Shut-Off Valves	5
4	Dial-A-Rate	6

Sec. 01 - AIR DUCT / NOZZLE PARTS

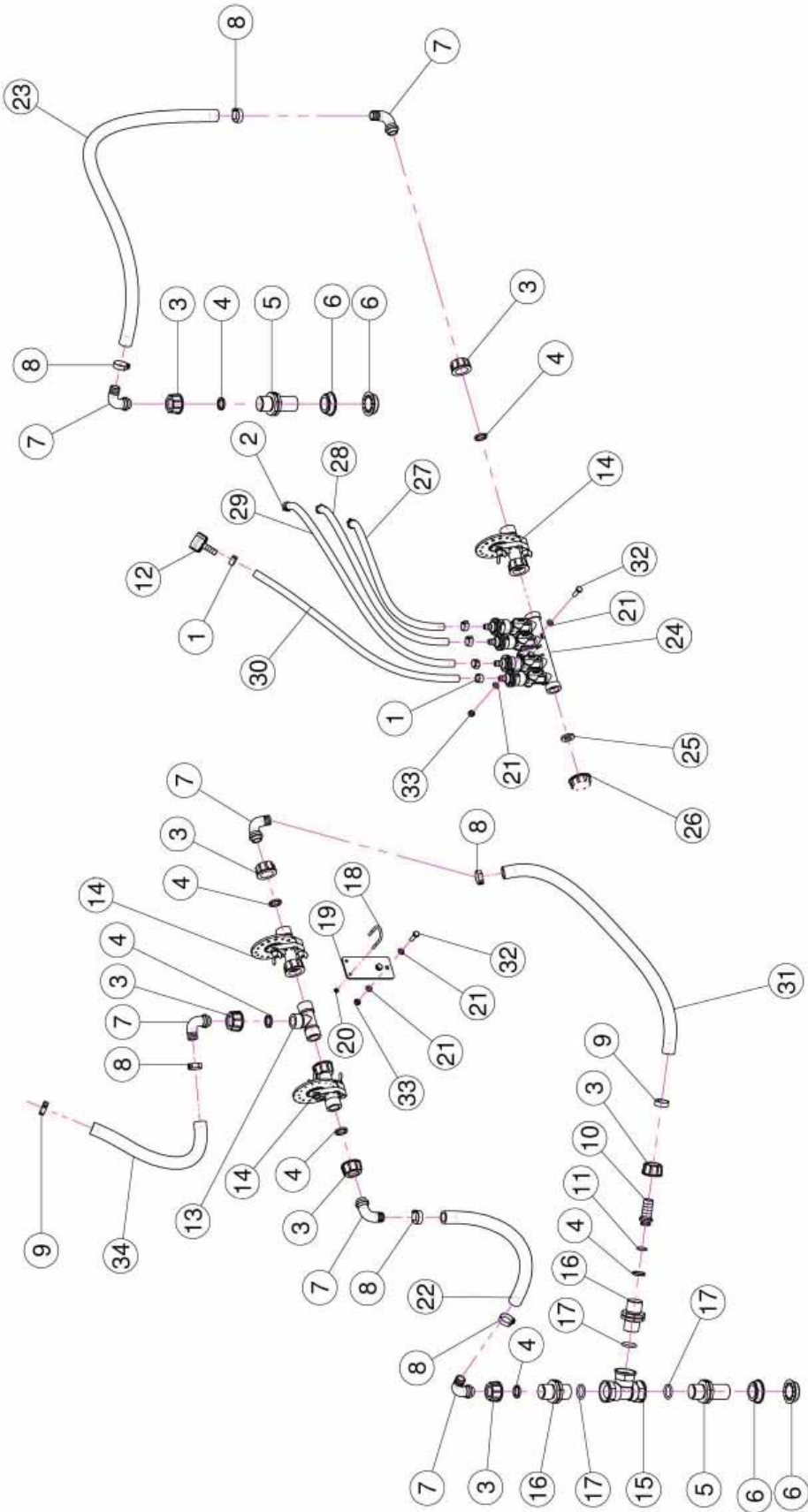


<u>REF.</u>	<u>QTY.</u>	<u>PART NO.</u>	<u>DESCRIPTION</u>
1	1	02.734.200	Tobacco Cannon Body D.175
2	1	02.146.010	Flexible Sleeve
3	1	02.021.000	Flexible Sleeve
4	1	02.069.000	Flexible Sleeve
5	1	02.735.300	Cannon Sprayer Clamp D.175
6	1	00.075.180	Nozzle 75/180
7	1	10.018.120	Nozzle 18/120
8	1	20.837.100DX	Three Outlets Body
9	7	RP.008.024	Washer D.8 x 24
10	3	DA.008.0AG	Self Locking Nut M8

Sec. 01 - AIR DUCT / NOZZLE PARTS

<u>REF.</u>	<u>QTY.</u>	<u>PART NO.</u>	<u>DESCRIPTION</u>
14	6	TE.006.020T	Screw TE M6 x 20
15	6	RP.006.000	Washer D.6
16	6	D0.06.5588G	Nut M6
18	2	00.004.5.50	Nozzle 4.5/50
19	1	00.003.5.50	Nozzle 3.5/50
23	1	05.616.000	Pipe Clamp D.175
24	1	04.877.000	45° Bend D.175
25	4	RP.010.030	Washer D.10 x 30 mm
26	2	TE.010.030T	Screw TE M10 x 30
27	2	D0.10.5587G	Nut M10
28	1	50.360.000	Right Plate With Threaded Bar
29	1	50.361.000	Left Plate With Threaded Bar
30	2	50.359.000	Stretched For Cannon Sprayhead
31	1	50.362.000	Right Plate With Threaded Bar
32	1	50.363.000	Left Plate With Threaded Bar
33	2	DF.OTT.008	Wing Nut M8
34	1	21.040.200	Cannon Sprayer Clamp D.100
35	1	02.140.220	Cannon Sprayer Clamp D.127
20.837.100			
2	3	20.016.01C	Venturi Body

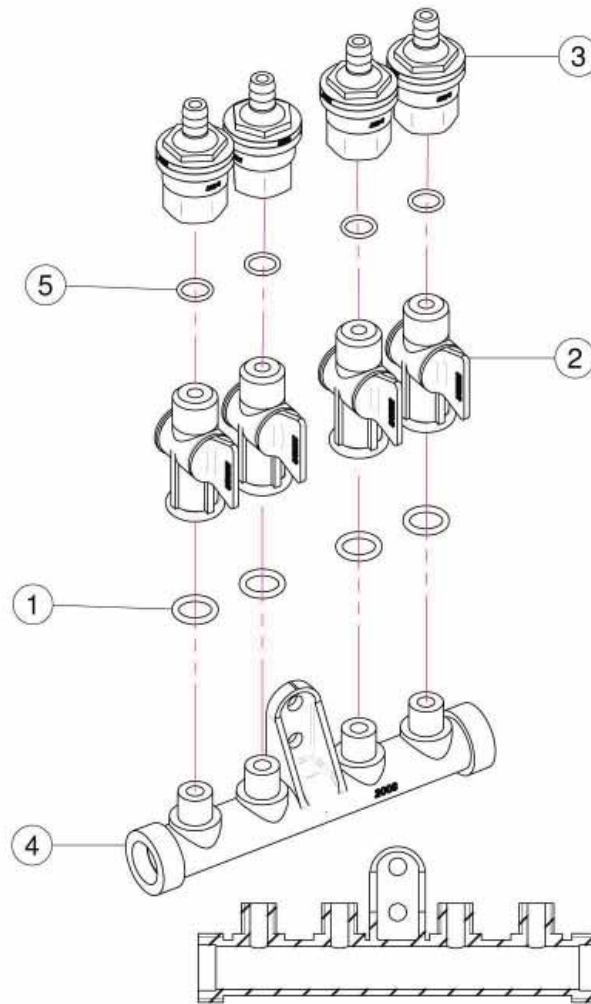
Sec. 02 - LIQUID PLUMBING



Sec. 02 - LIQUID PLUMBING

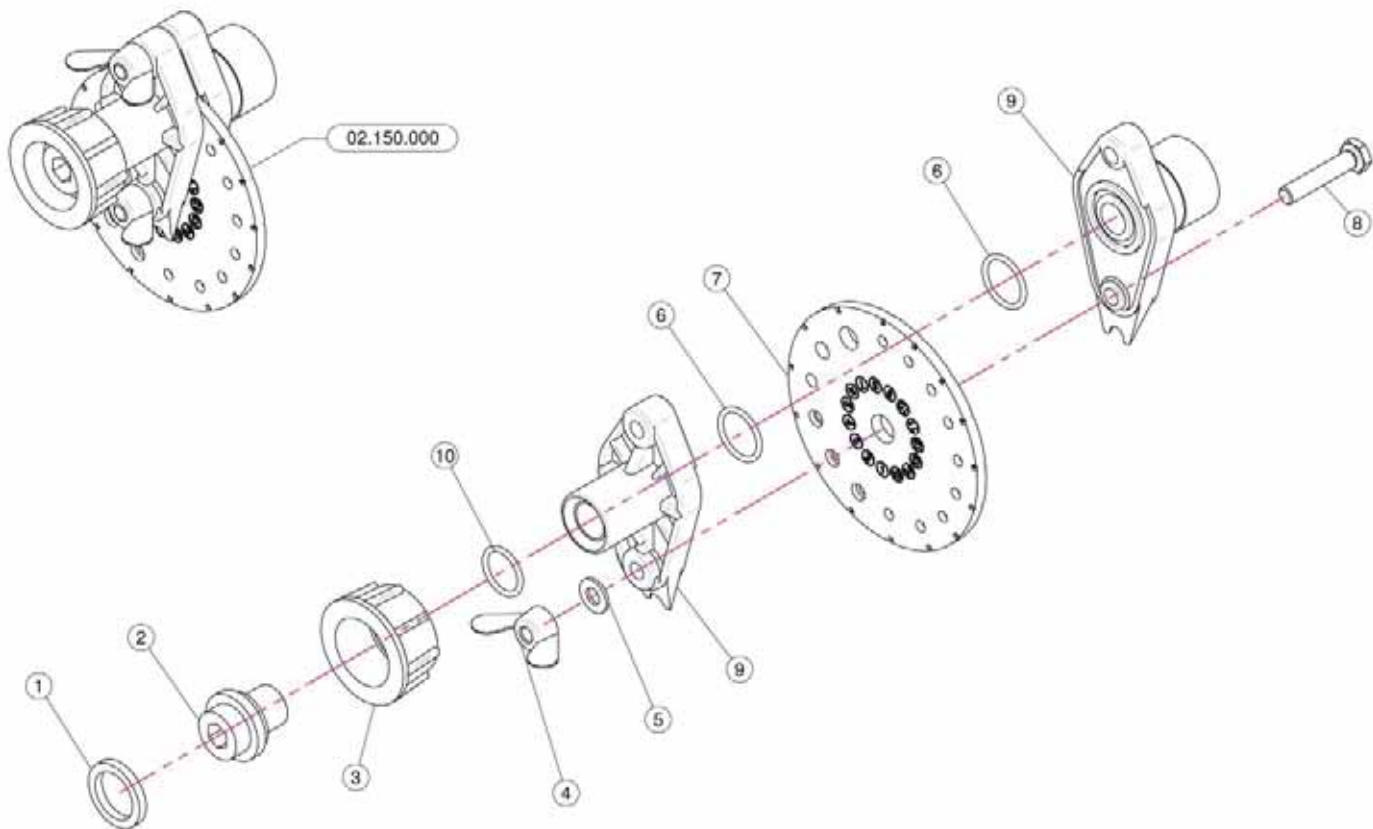
<u>REF.</u>	<u>QTY.</u>	<u>PART NO.</u>	<u>DESCRIPTION</u>
1	5	FC.013.5.015	Hose Clamp
2	3	FC.012.5.014	Hose Clamp
3	7	00.055.045	3/4" Fly Nut
4	7	02.349.000	17 x 23 x 3 Flat Gasket
5	2	02.380.100	Nipple 3/4"
6	4	00.541.000	Nut 3/4
7	6	00.055.046	Curved Union With R.H. D.17
8	6	FC.024.5.026	Hose Clamp 24.5 - 26
9	2	FC.022.5.024	Hose Clamp 22.5 - 24
10	1	02.002.000	Straight Union 3/4" R.H. 18
11	1	OR.000.117	13.1 x 18.34 x 2.62 O-Ring Gasket
12	1	21.010.000	Complete R.H. D.10 Union
13	1	21.013.000	"T" Union 3/4 - 3/4
14	3	02.150.000	Rotation Disk Regulation
15	1	02.396.000	Union 3/4" - 3/4" F.
16	2	02.380.000	Nipple 3/4"
17	3	OR.004.081	20.22 x 3.53 O-Ring Gasket
18	1	21.013.000.A	Fixing "T" 3/4
19	1	21.039.000	Bracket
20	2	DOT.04.5588	M4 Brass Nut
21	8	RP.006.000	Washer D.6
22	1	02.211.025	Pipe D.16 x 23 L=250
23	1	02.211.060	Pipe D.16 x 23 L=600
24	1	02.008.304C	4 Taps Liquid Manifold
25	1	02.030.010	Gasket
26	1	02.182.000	Female 3/4" Cap
27	As Req'd	02.217.000	Pipe D.8 x 13 L=430
28	As Req'd	02.217.000	Pipe D.8 x 13 L=550
29	As Req'd	02.217.000	Pipe D.8 x 13 L=630
30	As Req'd	02.217.000	Pipe D.8 x 13 L=450
31	As Req'd	02.211.000	Pipe D.16 x 23 L=530
32	4	TE.006.020T	Screw TE M6 x 20
33	4	D0.06.5588G	Nut M6
34	1	02.211.045	Hose D.16 x 23 L=450

Sec. 03 - MANIFOLD & SHUT-OFF VALVES



<u>REF.</u>	<u>QTY.</u>	<u>PART NO.</u>	<u>DESCRIPTION</u>
		02.008.304C	Complete Assembly
1	4	OR.000.117	13.1 x 18.34 x 2.62 O-Ring Gasket
2	4	20.202.100	Tap Assembly
3	4	00.227.01C	Anti-Drip Valve
4	1	02.008.000	Sprayheads Liquid Manifold
5	4	OR.002.043	10.82 x 14.38 x 1.78 Nbr 70 O-Ring Gasket

Sec. 04 - *DIAL-A-RATE*



REF.	QTY.	PART NO.	DESCRIPTION
1	1	02.349.000	17 x 23 x 3 Flat Gasket
2	1	02.117.000	Adaptor Nipple
3	1	2002030	3/4" Fly Nut
4	2	DF.OTT.006	Wing Nut M6
5	2	RP.006.000I	INOX Washer D.6
6	2	OR1560178	D.15.6 x 1.78 O-Ring
7	1	02.148.000	Regulator Disc
8	2	TE.006.030I	INOX M6 x 30 Bolt
9	1	02.147.000	Regulator Body
10	1	OR1242178	O-Ring D.12.37 x 2.62