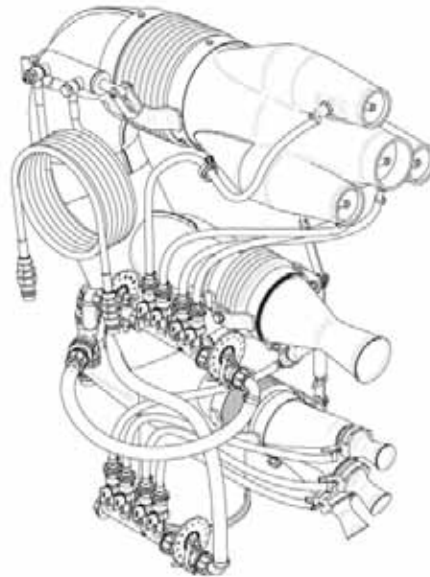




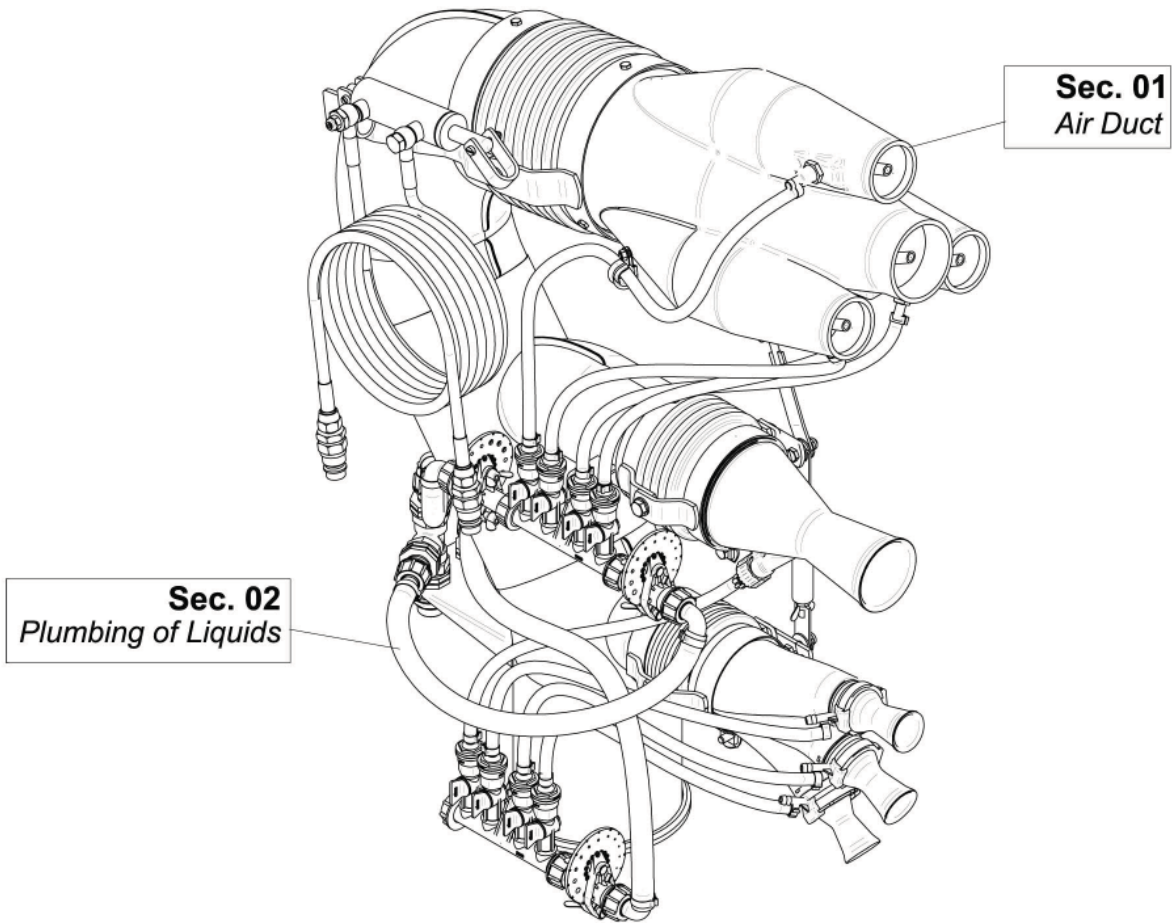
# VENTURI AIR SPRAYERS HORIZONTAL CANNONS



## Parts Manual For TGC0050P12 Low Position Cannon For P50 Sprayers

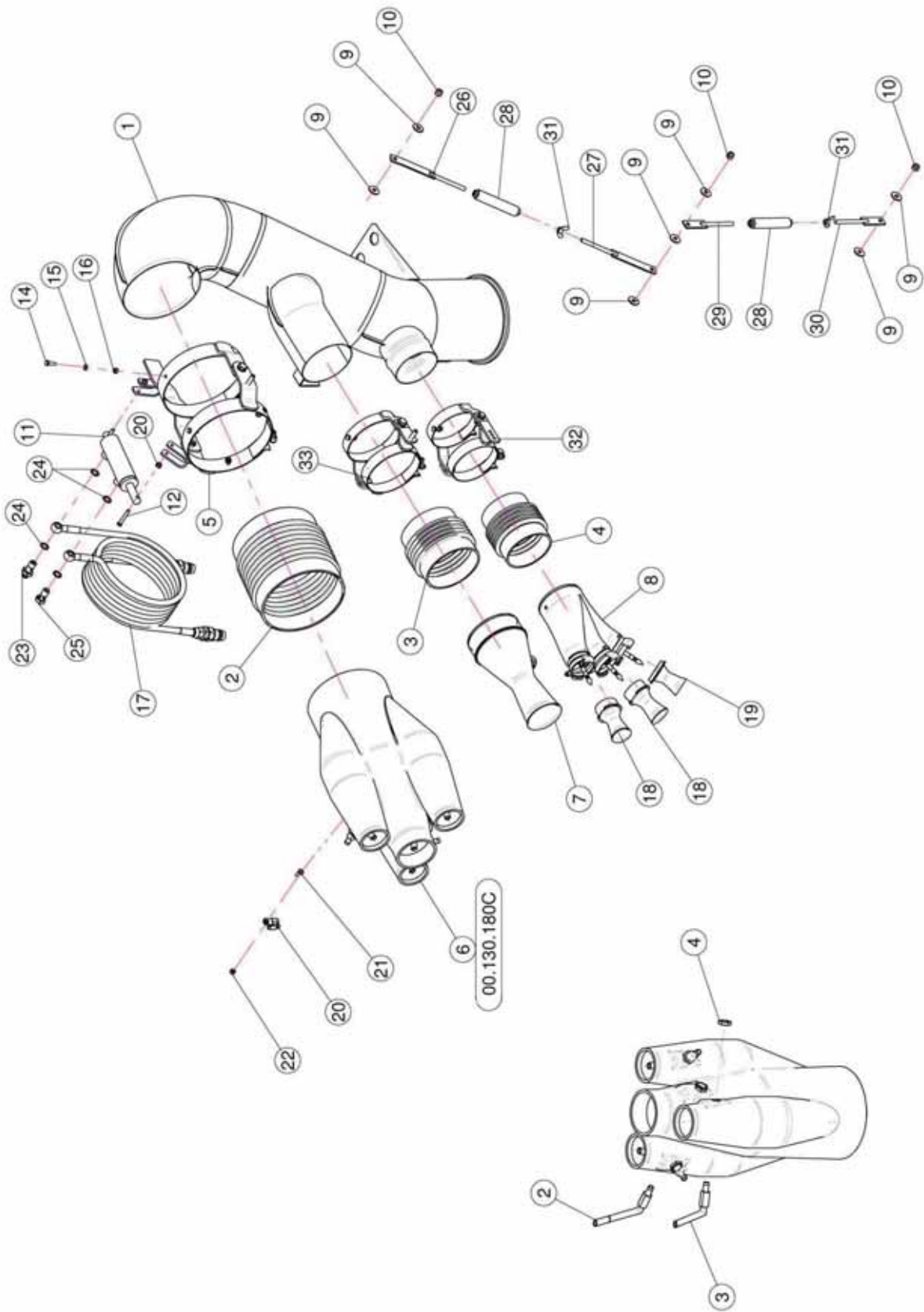
July 2013

# TABLE OF CONTENTS



<u>SECTION</u>	<u>DESCRIPTION .....</u>	<u>PAGE</u>
1	<b>Air Duct/Nozzle Parts .....</b>	<b>1-2</b>
2	<b>Liquid Parts .....</b>	<b>3-4</b>
3	<b>Manifold &amp; Shut-Off Valves.....</b>	<b>5</b>
4	<b>Dial-A-Rate .....</b>	<b>6</b>

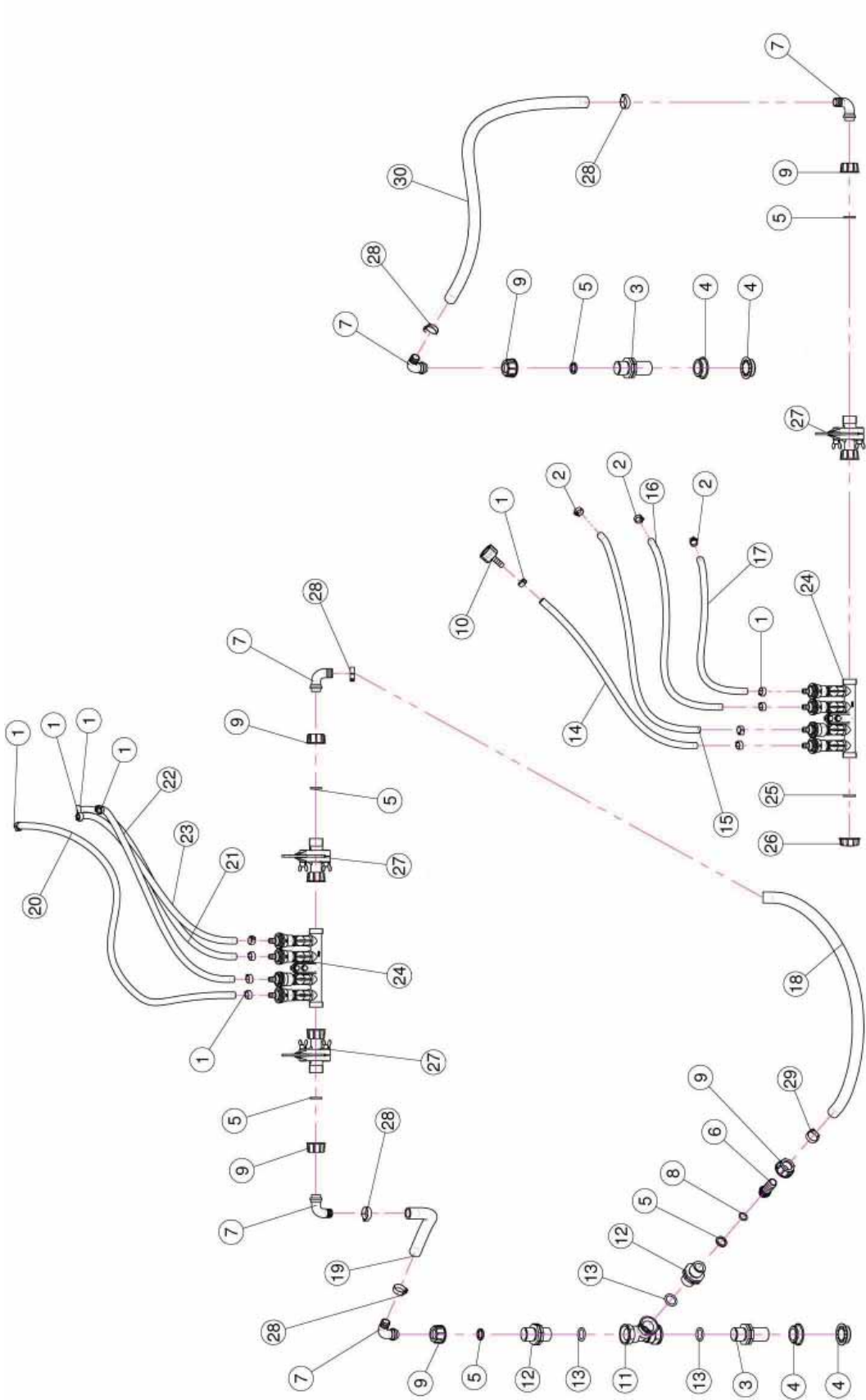
# Sec. 01 - AIR DUCT / NOZZLE PARTS



## Sec. 01 - AIR DUCT / NOZZLE PARTS

<u>REF.</u>	<u>QTY.</u>	<u>PART NO.</u>	<u>DESCRIPTION</u>
1	1	02.734.200	Tobacco Cannon Body D.175
2	1	02.146.010	Flexible Sleeve
3	1	02.021.000	Flexible Sleeve
4	1	02.069.000	Flexible Sleeve
5	1	02.735.300	Cannon Sprayer Clamp D.175
6	1	00.130.180C	Complete Nozzle 130/180
7	1	10.018.120	Nozzle 18/120
8	1	20.837.100DX	Three Outlets Body
9	7	RP.008.024	Washer D.8 x 24
10	3	DA.008.0AG	Self Locking Nut M8
11	1	02.840.04C	Jack
12	2	TC.06.40.07I	INOX Screw M6 x 40
13	2	DA.006.0AG	Self-Locking Nut - High M6
14	6	TE.006.020T	Screw TE M6 x 20
15	6	RP.006.000	Washer D.6
16	6	D0.06.5588G	Nut M6
17	2	20.900.370	Oil Pipe For Jack L=3700
18	2	00.004.5.50	Nozzle 4.5/50
19	1	00.003.5.50	Nozzle 3.5/50
20	1	FG.018.000	Sticker
21	1	TCC.06.16	Cross Slotted Screw M6 x 16
22	1	DOT.06.5587	M6 Brass Nut 5587
23	1	20.718.000	Flow Regulator
24	4	02.472.000	Copper Washer
25	1	02.408.000	Jack Eye Right Union 1/4"
26	1	50.360.000	Right Plate With Threaded Bar
27	1	50.361.000	Left Plate With Threaded Bar
28	2	50.359.000	Stretcher For Cannon Sprayhead
29	1	50.362.000	Right Plate With Threaded Bar
30	1	50.363.000	Left Plate With Threaded Bar
31	2	DF.OTT.008	Wing Nut M8
32	1	21.040.200	Cannon Sprayer Clamp D.100
33	1	02.140.220	Cannon Sprayer Clamp D.127
<b>00.130.180C</b>			
2	1	50.225.000	Multiple Nozzle Pipe
3	3	50.225.100	Multiple Nozzle Pipe
4	4	20.790.000C	Nut 3/8

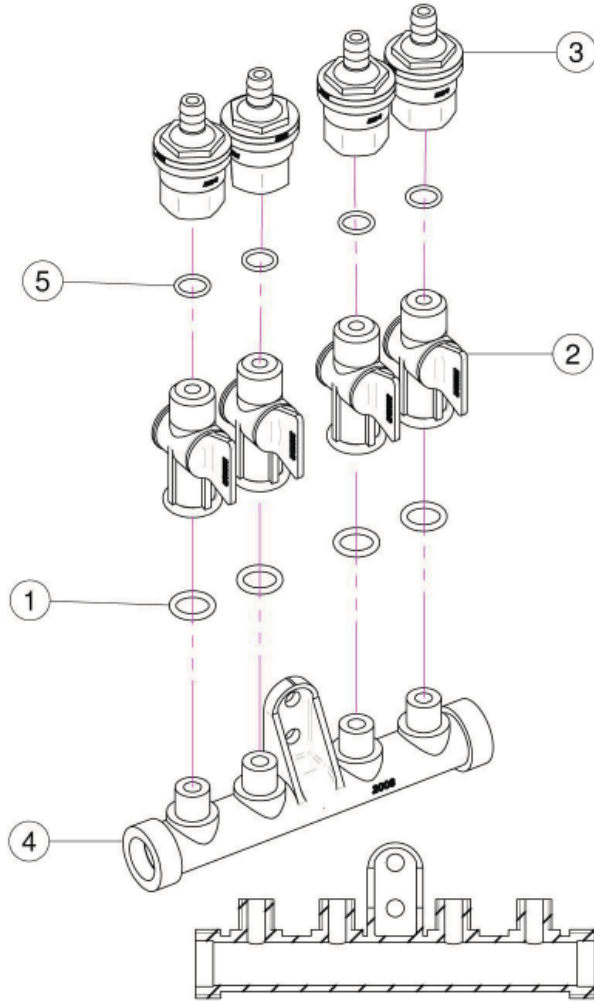
Sec. 02 - LIQUID PLUMBING



## Sec. 02 - LIQUID PLUMBING

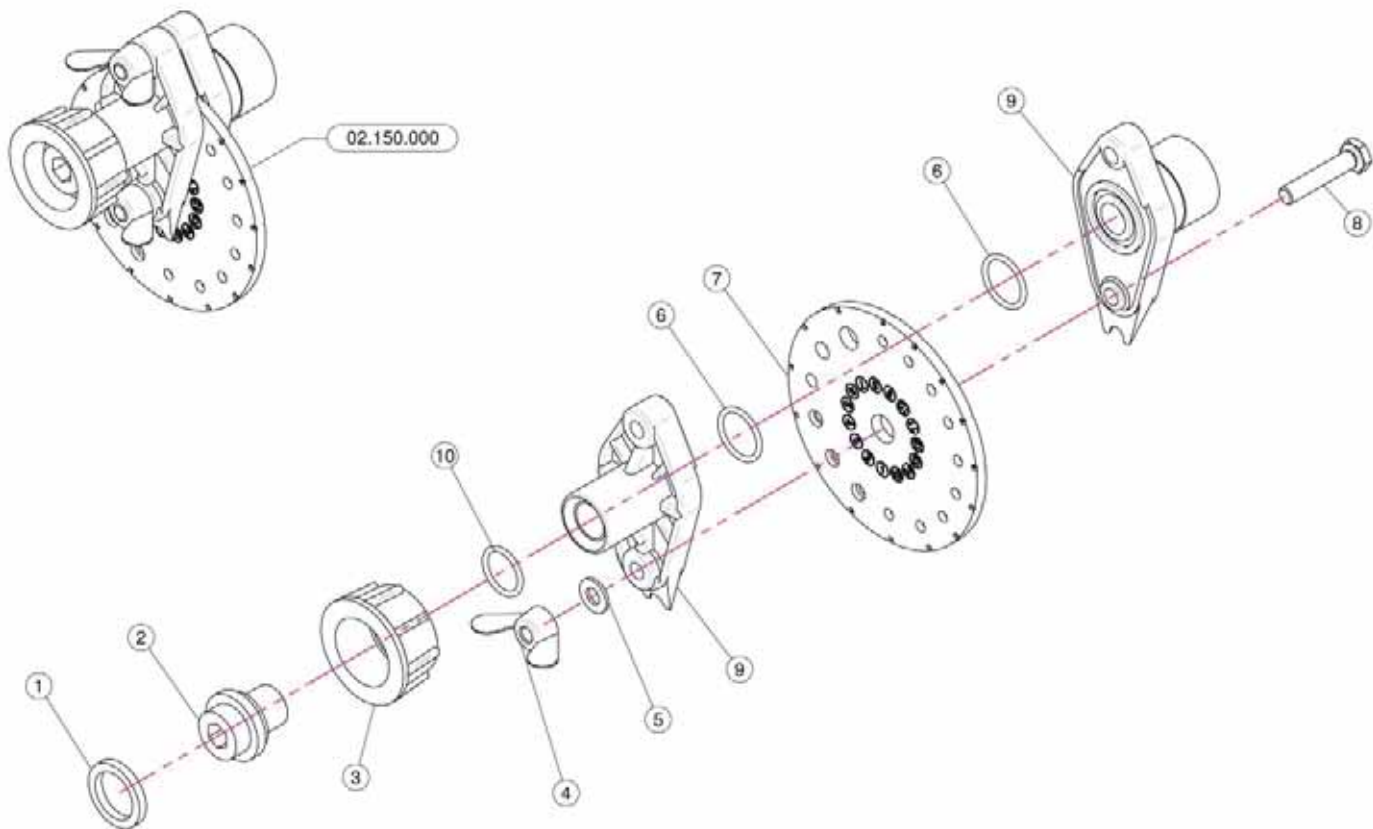
<u>REF.</u>	<u>QTY.</u>	<u>PART NO.</u>	<u>DESCRIPTION</u>
1	13	FC.013.5.015	Hose Clamp
2	3	FC.012.5.014	Hose Clamp
3	2	02.380.100	Nipple 3/4"
4	4	00.541.000	Nut 3/4"
5	6	02.349.000	17 x 23 x 3 Flat Gasket
6	1	02.002.000	Straight Union 3/4" R.H. 18
7	5	00.055.046	Curved Union With R.H. D.17
8	1	OR.000.117	13.1 x 18.34 x 2.62 O-Ring Gasket
9	6	00.055.045	3/4 " Fly Nut
10	1	21.010.000	Complete R.H. D.10 Union
11	1	02.396.000	Union 3/4" - 3/4" F.
12	2	02.380.000	Nipple 3/4"
13	3	OR.004.081	20.22 x 3.53 O-Ring Gasket
14	As Req'd	02.217.000	Pipe D.8 x 13 L=450
15	As Req'd	02.217.000	Pipe D.8 x 13 L=630
16	As Req'd	02.217.000	Pipe D.8 x 13 L=550
17	As Req'd	02.217.000	Pipe D.8 x 13 L=430
18	As Req'd	02.211.000	Pipe D.16 x 23 L=520
19	As Req'd	02.211.000	Pipe D.16 x 23 L=150
20	As Req'd	02.217.000	Pipe D.8 x 13 L=800
21	As Req'd	02.217.000	Pipe D.8 x 13 L=670
22	As Req'd	02.217.000	Pipe D.8 x 13 L=670
23	As Req'd	02.213.000	Pipe D.8 x 13 L=670
24	2	02.008.304C	4 Taps Liquid Manifold
25	1	02.030.010	Gasket
26	1	02.182.000	Female 3/4" Cap
27	3	02.150.000	Rotation Disk Regulation
28	5	FC.024.5.026	Hose Clamp 24.5 - 26
29	1	FC.022.5.024	Hose Clamp 22.5 - 24
30	1	02.211.060	Pipe D.16 x 23 L=600

## Sec. 03 - MANIFOLD & SHUT-OFF VALVES



<u>REF.</u>	<u>QTY.</u>	<u>PART NO.</u>	<u>DESCRIPTION</u>
		<b>02.008.304C</b>	<b>Complete Assembly</b>
1	4	OR.000.117	13.1 x 18.34 x 2.62 O-Ring Gasket
2	4	20.202.100	Tap Assembly
3	4	00.227.01C	Anti-Drip Valve
4	1	02.008.000	Sprayheads Liquid Manifold
5	4	OR.002.043	10.82 x 14.38 x 1.78 Nbr 70 O-Ring Gasket

## Sec. 04 - DIAL-A-RATE



<b>REF.</b>	<b>QTY.</b>	<b>PART NO.</b>	<b>DESCRIPTION</b>
1	1	02.349.000	17 x 23 x 3 Flat Gasket
2	1	02.117.000	Adaptor Nipple
3	1	2002030	3/4" Fly Nut
4	2	DF.OTT.006	Wing Nut M6
5	2	RP.006.000I	INOX Washer D.6
6	2	OR1560178	D.15.6 x 1.78 O-Ring
7	1	02.148.000	Regulator Disc
8	2	TE.006.030I	INOX M6 x 30 Bolt
9	1	02.147.000	Regulator Body
10	1	OR1242178	O-Ring D.12.37 x 2.62