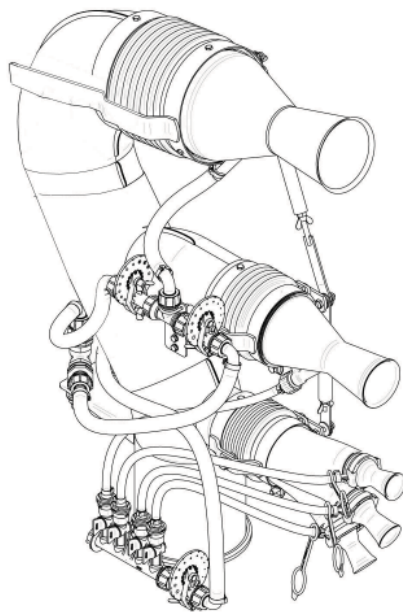




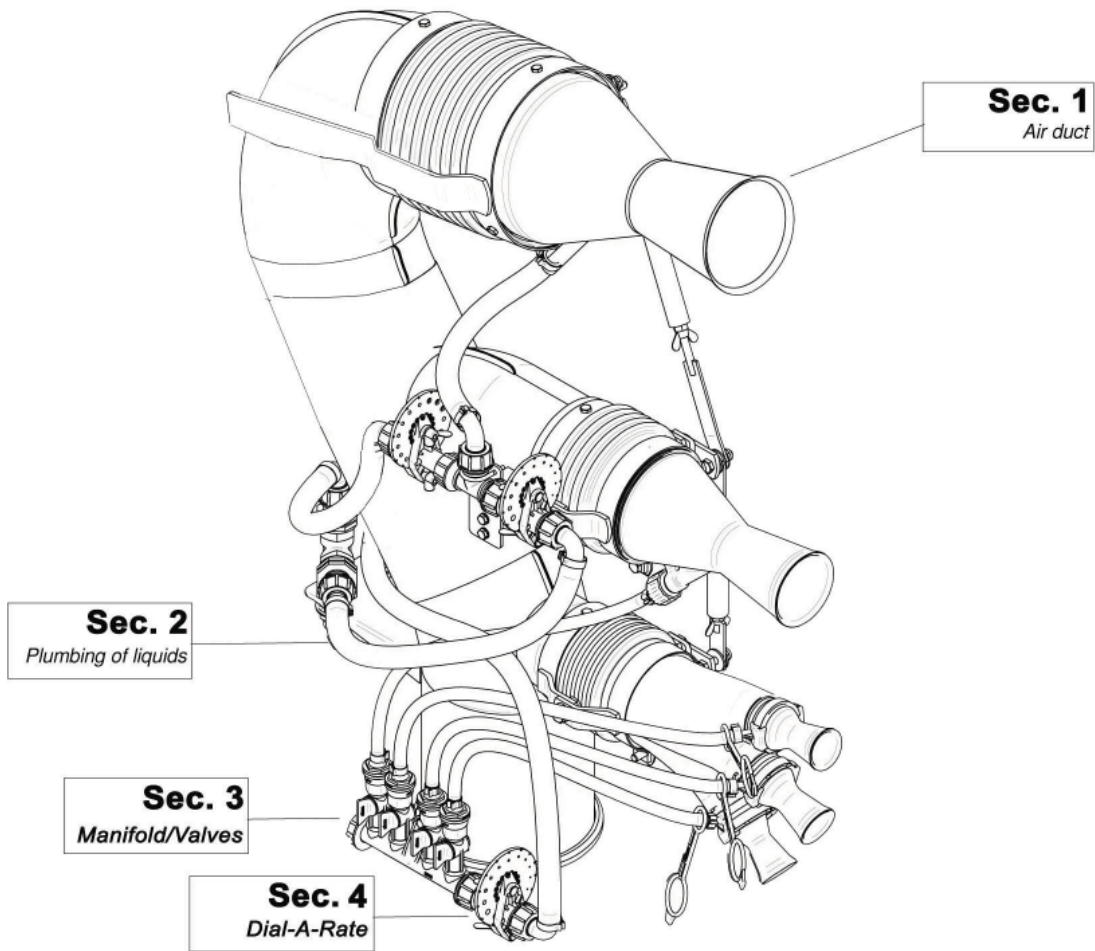
VENTURI AIR SPRAYERS HORIZONTAL CANNONS



**Parts Manual For
TGC00042P12 Cannon
For P42 Sprayers**

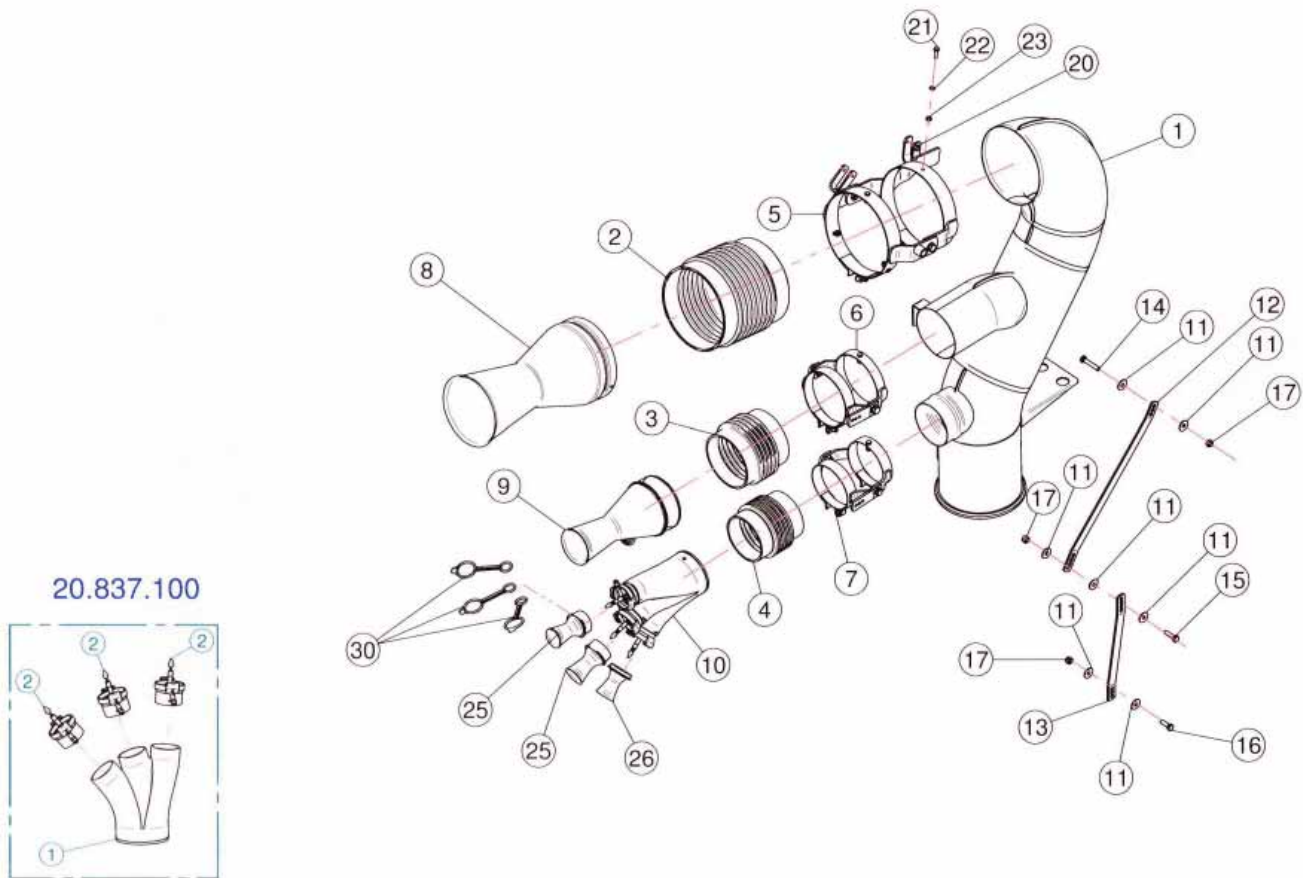
June 2013

TABLE OF CONTENTS



<u>SECTION</u>	<u>DESCRIPTION</u>	<u>PAGE</u>
1	Air Duct/Nozzle Parts	1-2
2	Liquid Parts	3-4
3	Manifold & Shut-Off Valves	5
4	Dial-A-Rate	6

Sec. 01 - AIR DUCT / NOZZLE PARTS

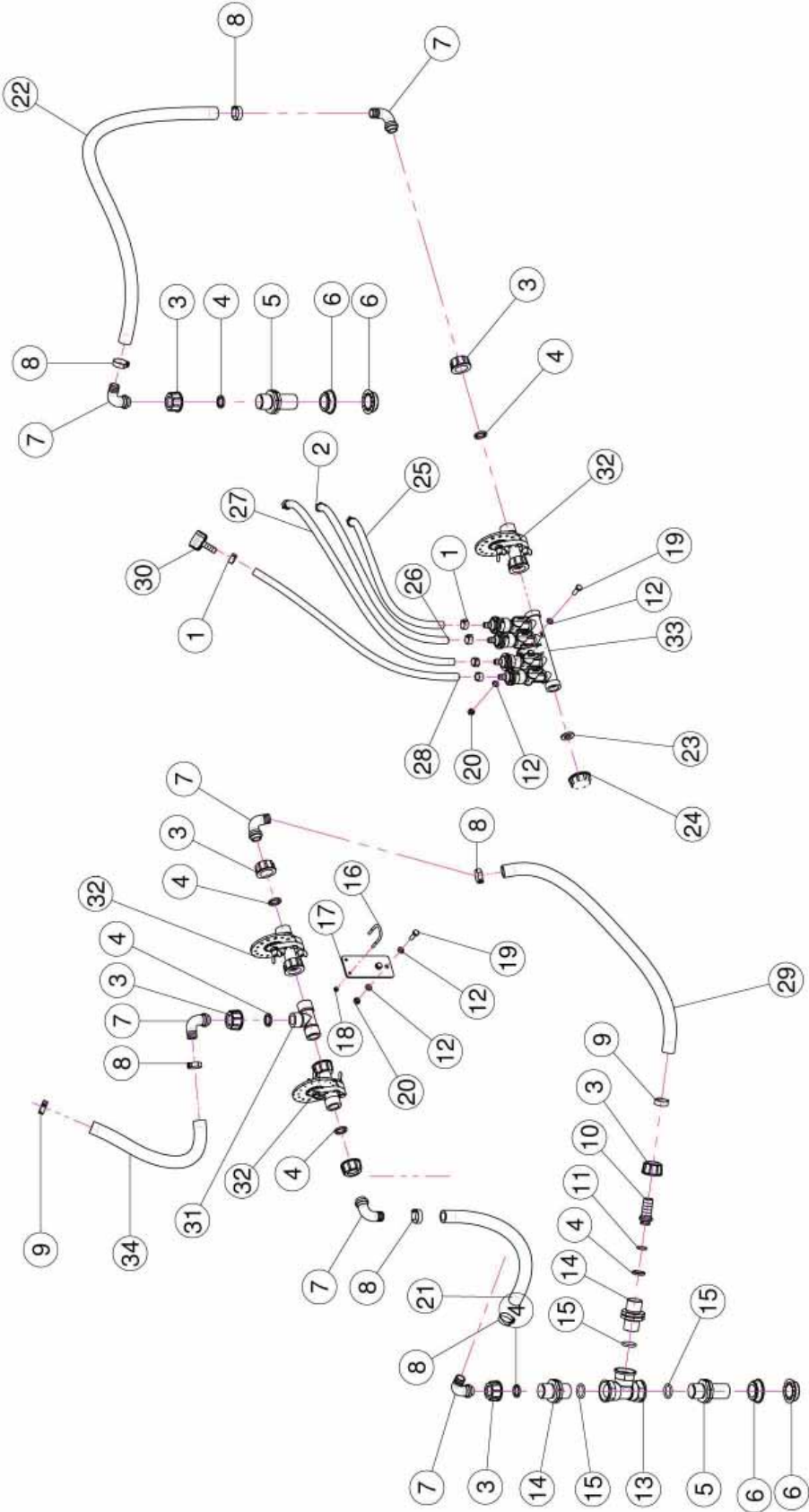


<u>REF.</u>	<u>QTY.</u>	<u>PART NO.</u>	<u>DESCRIPTION</u>
1	1	02.734.200	Tobacco Cannon Body D.175
2	1	02.146.010	Flexible Sleeve
3	1	02.021.000	Flexible Sleeve
4	1	02.069.000	Flexible Sleeve
5	1	02.735.100	Cannon Sprayer Clamp D.175
6	1	02.140.020	Cannon Sprayer Clamp D.127
7	1	21.040.000	Cannon Sprayer Clamp D.105
8	1	10.042.180	Nozzle 42/180
9	1	10.018.120	Nozzle 18/120
10	1	20.837.100DX	Three Outlets Body
11	7	RP.008.024	Washer D.8 x 24
12	1	20.880.000	Bracket L=430

Sec. 01 - AIR DUCT / NOZZLE PARTS

<u>REF.</u>	<u>QTY.</u>	<u>PART NO.</u>	<u>DESCRIPTION</u>
13	1	20.881.000	Bracket L=300
14	1	TE.008.045T	Screw TE M8 x 45
15	1	TE.008.030T	Screw TE M8 x 30
16	1	TE.008.025T	Screw TE M8 x 25
17	3	DA.008.0AG	Self Locking Nut M8
21	6	TE.006.020T	Screw TE M6 x 20
22	6	RP.006.000	Washer D.6
23	6	D0.06.5588G	Nut M6
25	2	00.004.5.50	Nozzle 4.5/50
26	1	00.003.5.50	Nozzle 3.5/50
30	3	20.697.000	Nozzle Stop
20.837.100			
2	3	20.016.01C	Venturi Body

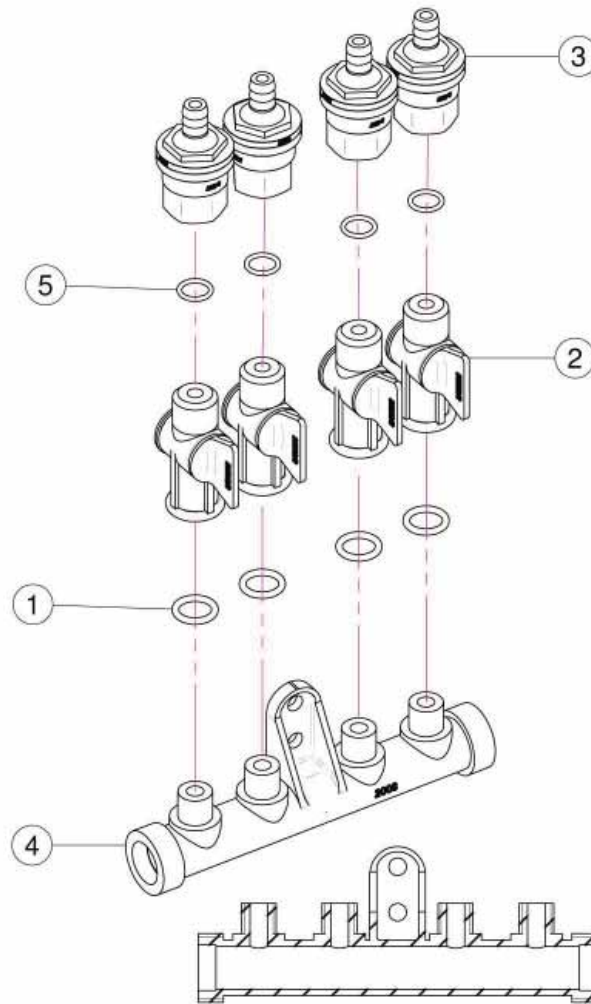
Sec. 02 - LIQUID PLUMBING



Sec. 02 - LIQUID PLUMBING

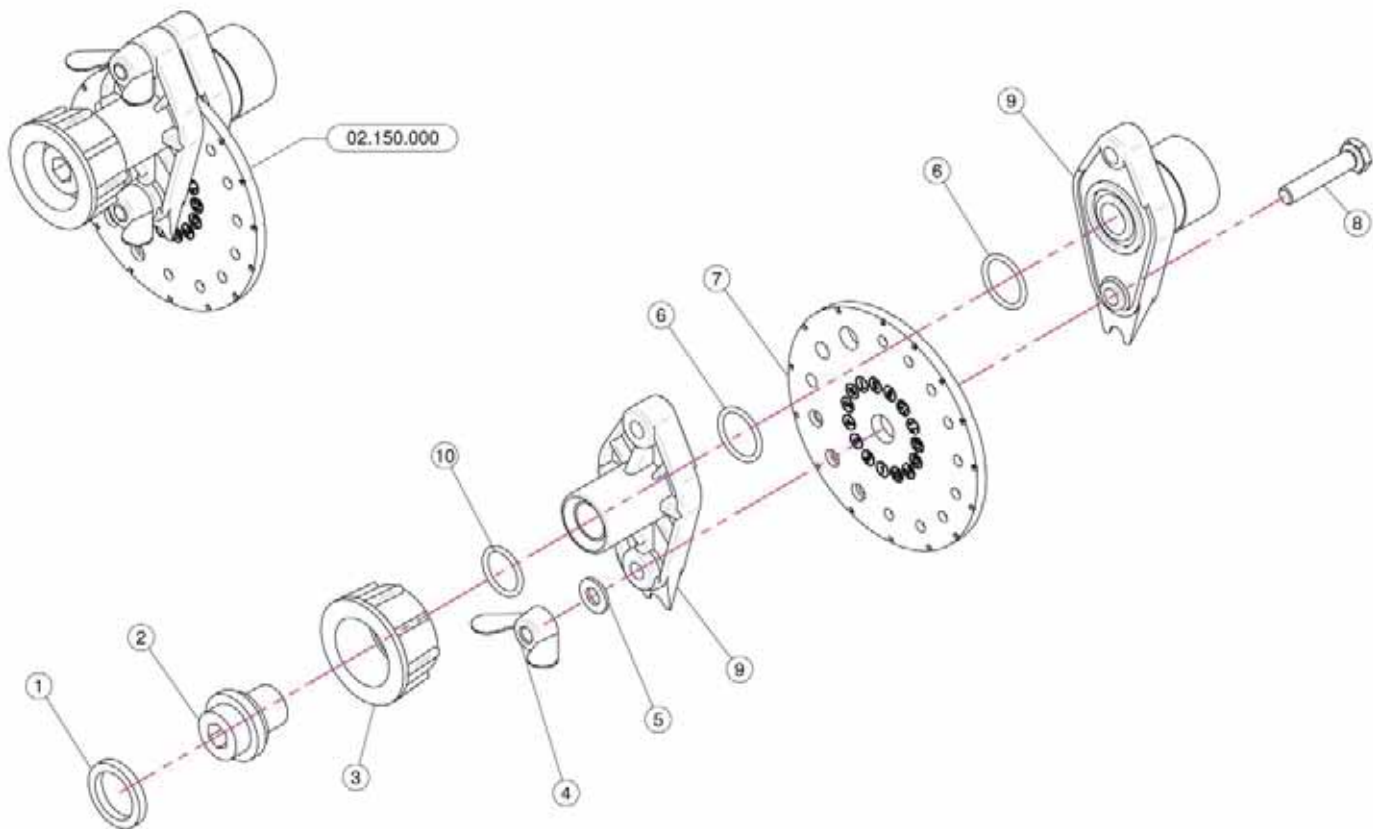
<u>REF.</u>	<u>QTY.</u>	<u>PART NO.</u>	<u>DESCRIPTION</u>
1	5	FC.013.5.015	Hose Clamp
2	3	FC.012.5.014	Hose Clamp
3	8	00.055.045	3/4" Fly Nut
4	8	02.349.000	17 x 23 x 3 Flat Gasket
5	2	02.380.100	Nipple 3/4"
6	4	00.541.000	Nut 3/4"
7	6	00.055.046	Curved Union With R.H. D.17
8	6	FC.024.5.026	Hose Clamp 24.5 - 26
9	2	FC.022.5.024	Hose Clamp 22.5 - 24
10	2	02.002.000	Straight Union 3/4" R.H. 18
11	2	OR.000.117	13.1 x 18.34 x 2 .62 O-Ring Gasket
12	4	RP.006.000	Washer D.6
13	1	02.211.000	Hose D.16 x 23 L=400 (Per Foot)
14	1	02.396.000	Union 3/4" - 3/4" - 3/4" F.
15	2	02.380.000	Nipple 3/4"
16	3	OR.004.081	20.22 x 3.53 O-Ring Gasket
17	1	21.013.000A	Fixing "T" 3/4
18	1	21.039.000	Bracket
19	2	D0.04.5588G	M6 6S Big Lead Nut 5588
20	2	TE.006.020T	Screw TE M6 x 20
21	2	D0.06.5588G	Nut M6
22	1	02.211.025	Pipe D.16 x 23 L=250
23	1	02.211.060	Pipe D.16 x 23 L=600
24	1	02.030.010	Gasket
25	1	02.182.000	Female 3/4" Cap
26	1	02.217.043	Pipe D.8 x 13 L=430
27	1	02.217.055	Pipe D.8 x 13 L=550
28	1	02.217.063	Pipe D.8 x 13 L=630
29	1	02.217.045	Pipe D.8 x 13 L=450
30	1	02.211.053	Pipe D.16 x 23 L=530
31	1	21.010.000	Complete R.H. D.10 Union
32	1	21.013.000	"T" Union 3/4 - 3/4
33	3	02.150.000	Rotation Disc Regulation
34	1	02.008.304C	4 Taps Liquid Manifold

Sec. 03 - MANIFOLD & SHUT-OFF VALVES



<u>REF.</u>	<u>QTY.</u>	<u>PART NO.</u>	<u>DESCRIPTION</u>
		02.008.304C	Complete Assembly
1	4	OR.000.117	13.1 x 18.34 x 2.62 O-Ring Gasket
2	4	20.202.100	Tap Assembly
3	4	00.227.01C	Anti-Drip Valve
4	1	02.008.000	Sprayheads Liquid Manifold
5	4	OR.002.043	10.82 x 14.38 x 1.78 Nbr 70 O-Ring Gasket

Sec. 04 - *DIAL-A-RATE*



REF.	QTY.	PART NO.	DESCRIPTION
1	1	02.349.000	17 x 23 x 3 Flat Gasket
2	1	02.117.000	Adaptor Nipple
3	1	2002030	3/4" Fly Nut
4	2	DF.OTT.006	Wing Nut M6
5	2	RP.006.000I	INOX Washer D.6
6	2	OR1560178	D.15.6 x 1.78 O-Ring
7	1	02.148.000	Regulator Disc
8	2	TE.006.030I	INOX M6 x 30 Bolt
9	1	02.147.000	Regulator Body
10	1	OR1242178	O-Ring D.12.37 x 2.62