



**VENTURI AIR SPRAYERS
WHEEL ASSIST
KIT**

**PARTS MANUAL FOR
T.CPP.RT.01 WHEEL ASSIST KIT**

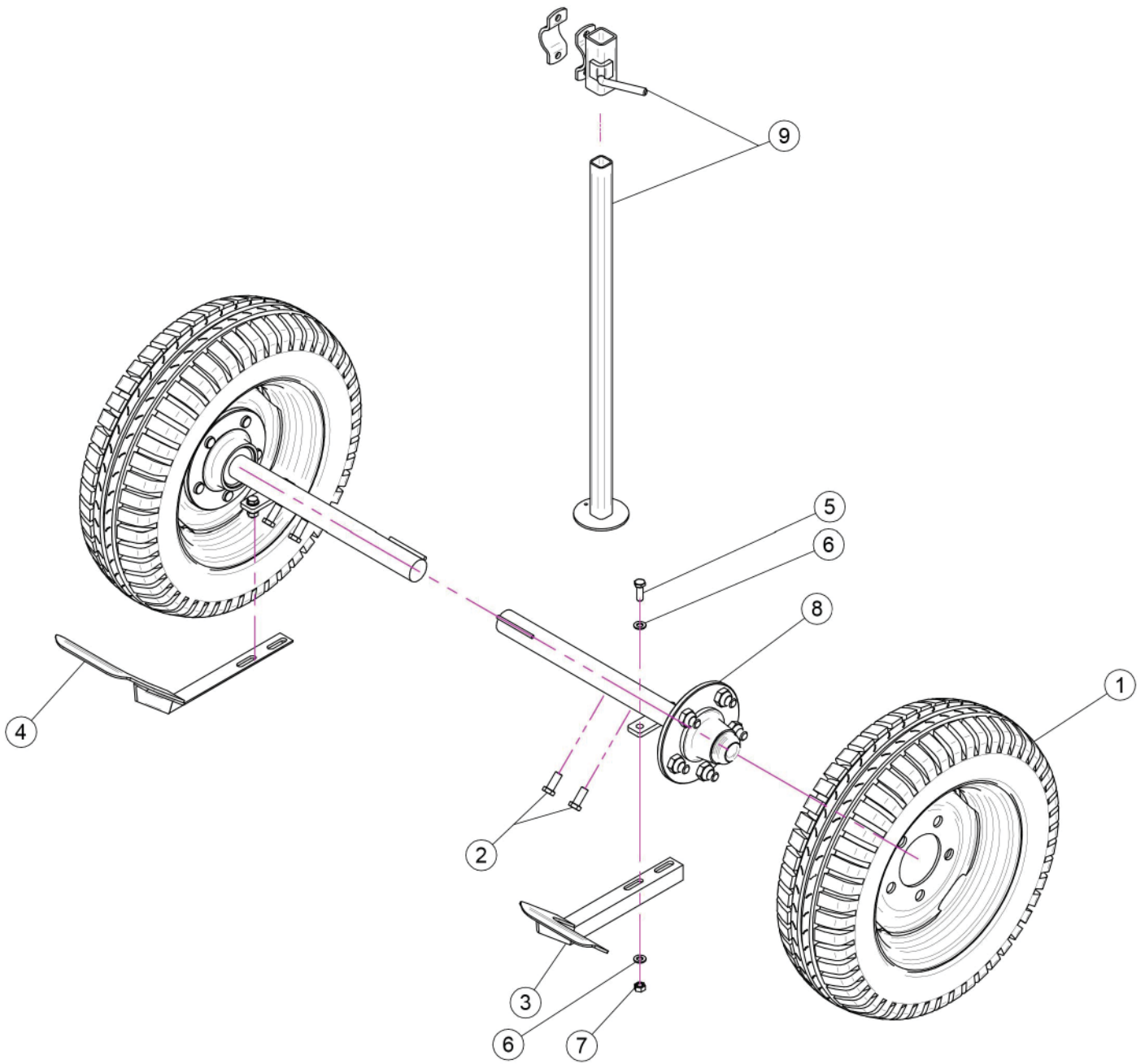
July 2014

TABLE OF CONTENTS

| <u>SECTION</u> | <u>DESCRIPTION</u> | <u>PAGE</u> |
|----------------|------------------------------------|--------------|
| 1 | Wheel Assist Kit | 1 - 2 |
| 1.1 | Parts Diagram..... | 1 |
| 1.2 | Parts List | 2 |
| 2 | Axle Assembly..... | 3 - 4 |
| 2.1 | 04.680.000 Axle Assy. Diagram..... | 3 |
| 2.2 | 04.680.000 Parts List..... | 4 |

1 WHEEL ASSIST KIT

1.1 Wheel Assist Diagram



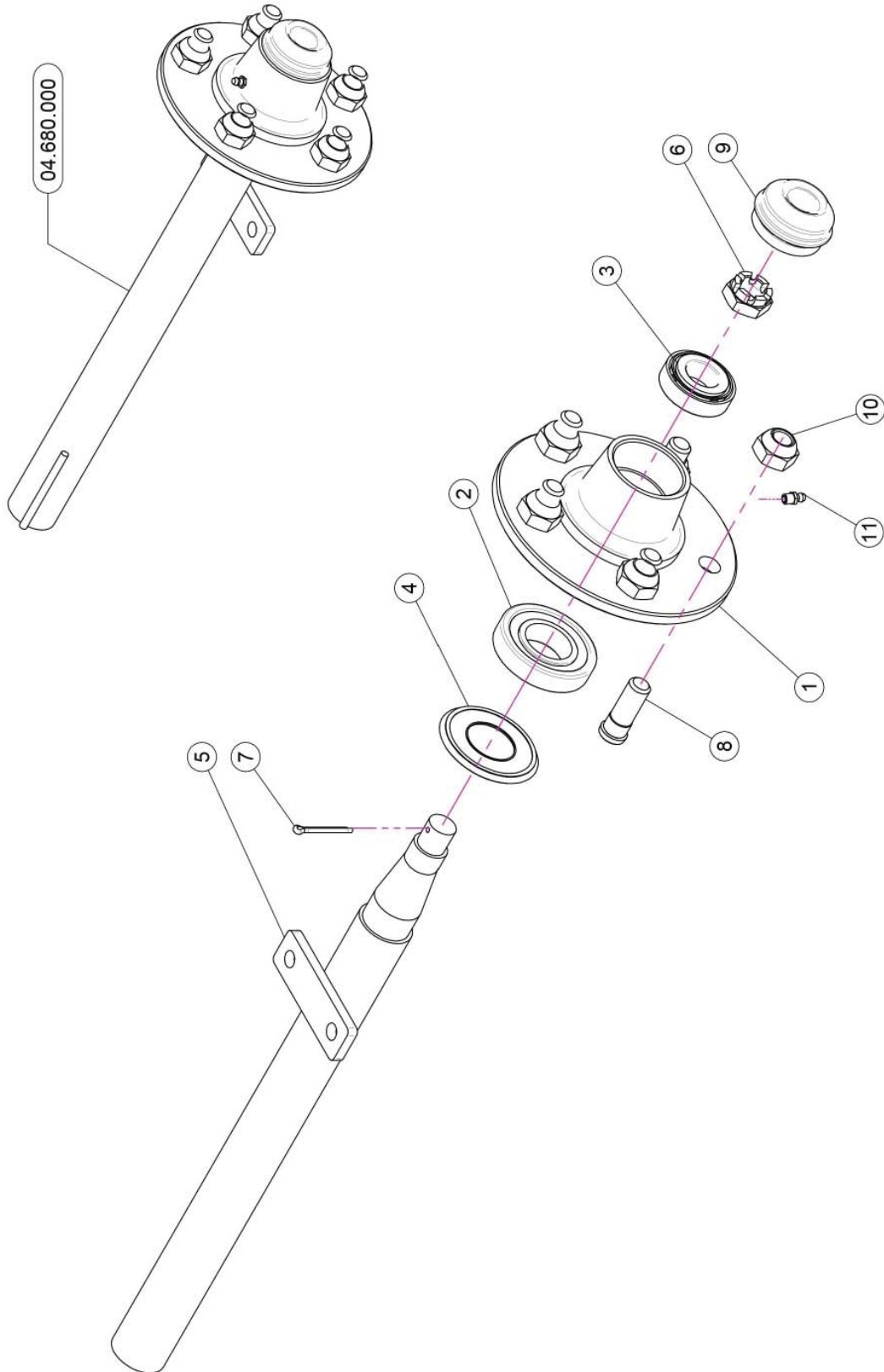
1 WHEEL ASSIST KIT

1.2 Parts List

| <u>REF #</u> | <u>QTY.</u> | <u>PART NO.</u> | <u>DESCRIPTION</u> |
|--------------|-------------|-----------------|-----------------------|
| 1 | 2 | 04.673.000 | Wheels and Tires |
| 2 | 4 | TE.012.030T | Screw TE 12 x 30 |
| 3 | 1 | 20.758.001 | Take Away Mud DX |
| 4 | 1 | 20.758.002 | Take Away Mud SX |
| 5 | 4 | TE.010.030T | Screw TE M10 x 30 |
| 6 | 8 | RP.010.000 | Washer D.10 |
| 7 | 4 | D0.10.5587G | Nut M10 |
| 8 | 2 | 04.680.000 | Axle Shaft D.40 x 400 |
| 9 | 1 | 20.757.000 | Complete Jack Stand |

2 AXLE ASSEMBLY

2.1 04.680.000 Axle Assembly Diagram



2 WHEEL ASSIST KIT

2.2 04.680.000 Parts List

| <u>REF #</u> | <u>QTY.</u> | <u>PART NO.</u> | <u>DESCRIPTION</u> |
|---------------------|--------------------|------------------------|-----------------------------|
| 1 | 1 | 04.680.001 | Five Holes Flange |
| 2 | 1 | K0.030.207 | Bearing |
| 3 | 1 | K0.030.205 | Tapered Roller Bearing |
| 4 | 1 | 20.464.000 | Dust Shielder |
| 5 | 1 | 04.680.002 | Axle Shaft |
| 6 | 1 | DI.020.5593F | Nut UNI 5594 - M20 x 1.5-6S |
| 7 | 1 | 20.259.000 | Split Pin |
| 8 | 5 | 04.681.000 | Stud M16 x 1.5 |
| 9 | 1 | 04.597.002 | Cover |
| 10 | 5 | 04.682.000 | Special Nut |
| 11 | 1 | ID.006.001 | Greaser |