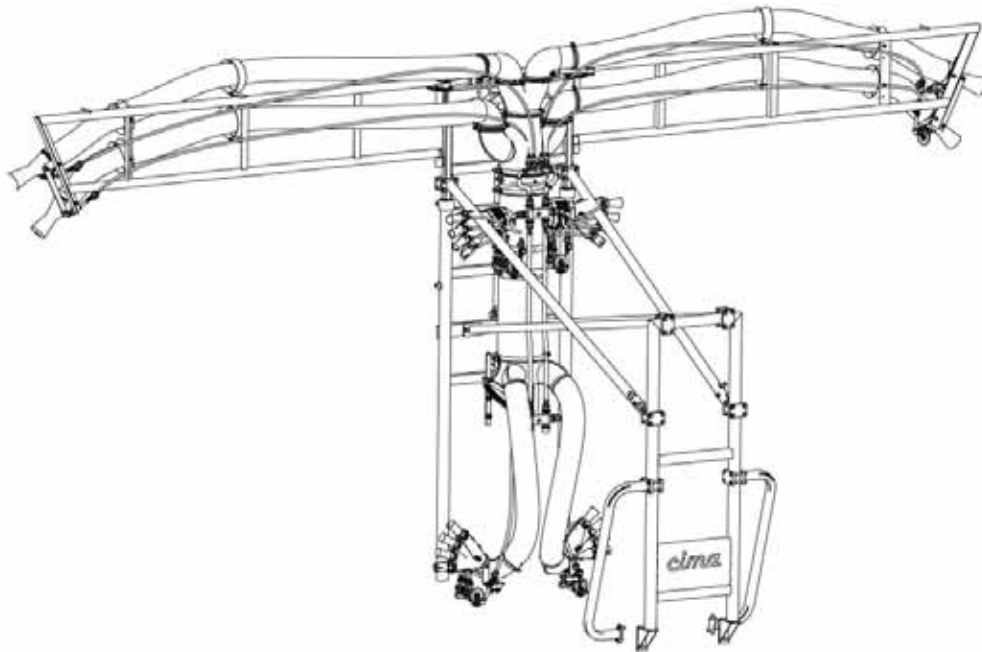




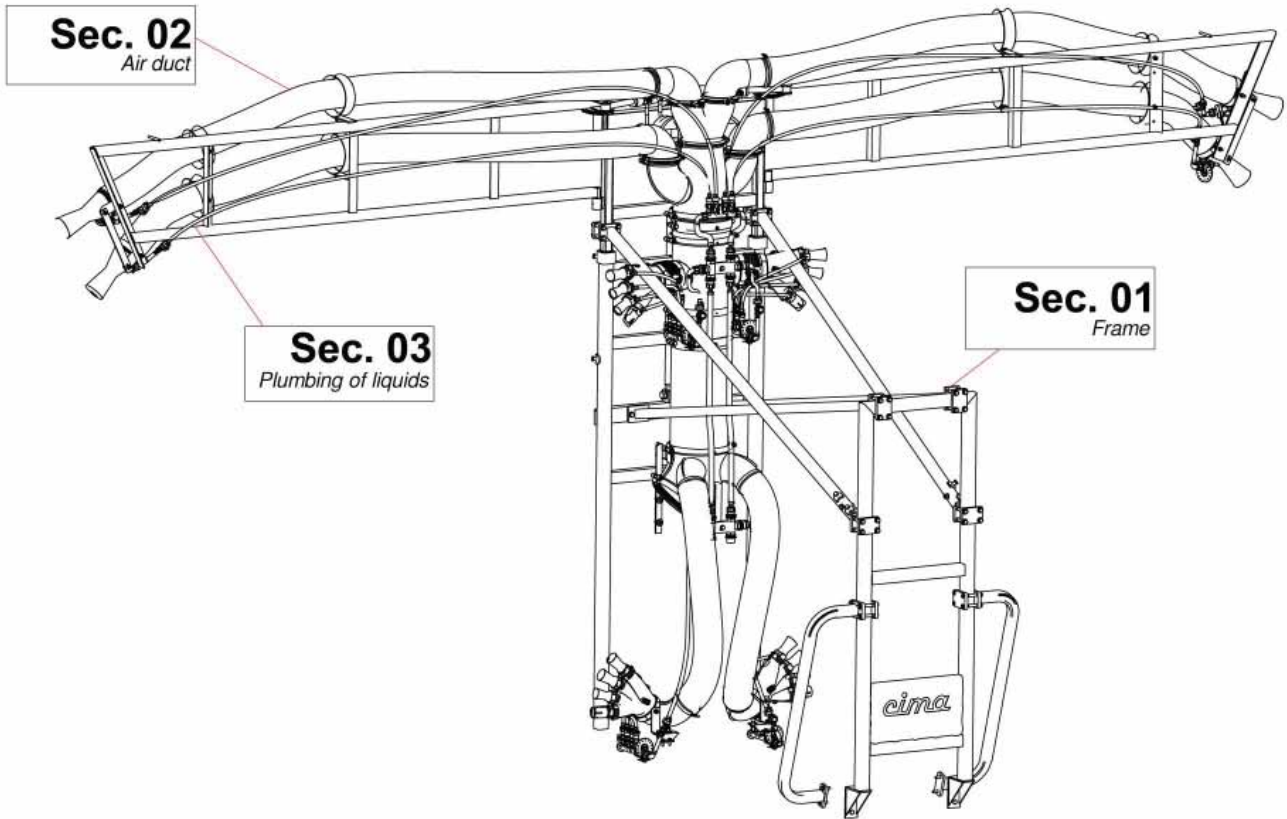
# VENTURI AIR SPRAYERS 4 - UPPER CANNONS 4 - 4+4 HEADS



## Parts Manual For TCF4M4CA55G12L Distribution Head For T55AE Sprayers

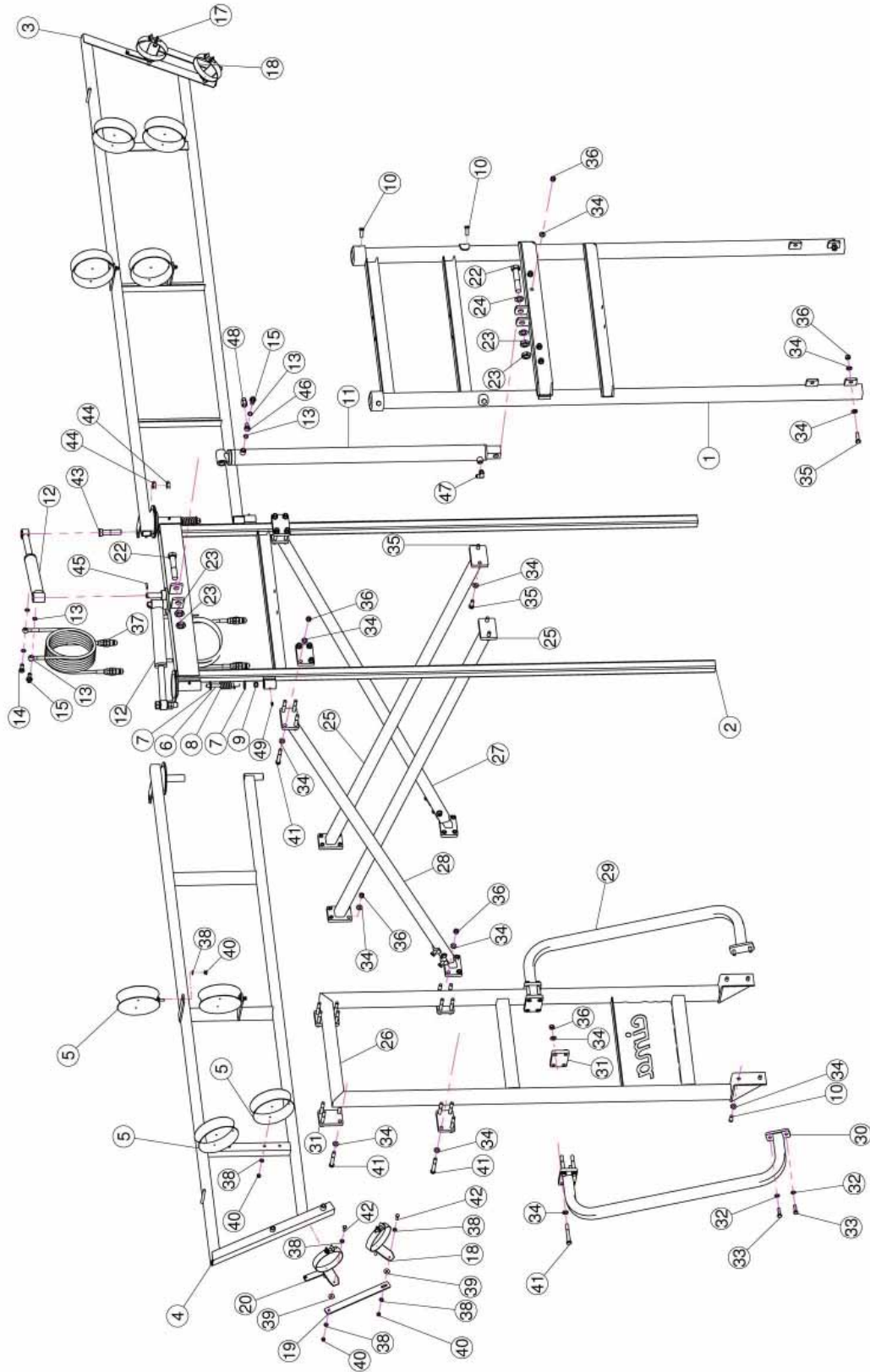
July 2013

# TABLE OF CONTENTS



<u>SECTION</u>	<u>DESCRIPTION .....</u>	<u>PAGE</u>
1	Frame .....	1-2
2	Distribution Heads & Air Tubes .....	3-4
3	Liquid Hose & Fittings .....	5-7
4	Actuator & Solenoid Valve .....	8
5	Manifold & Shut-Off Valves .....	9
6	Dial-A-Rate .....	10

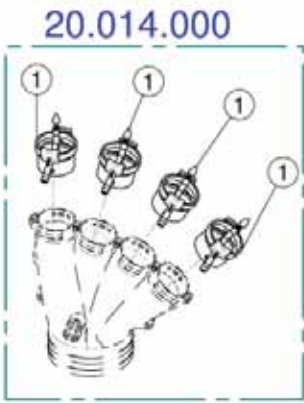
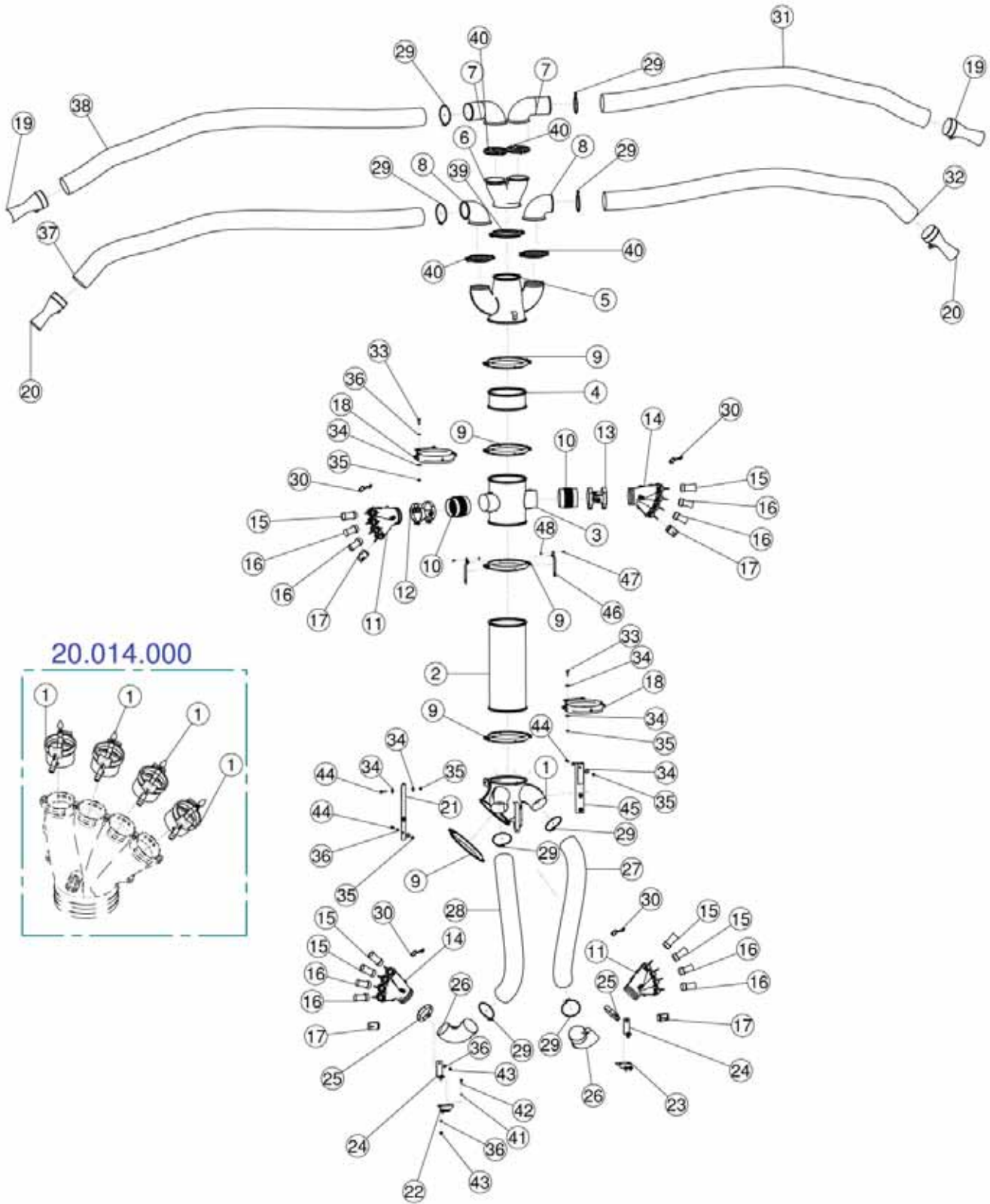
# Sec. 01 - FRAME



## Sec. 01 - FRAME

<u>REF.</u>	<u>QTY.</u>	<u>PART NO.</u>	<u>DESCRIPTION</u>
1	1	21.049.700	Central Frame
2	1	21.155.300	Sliding Frame
3	1	21.156.500	Complete Left Arm
4	1	21.157.500	Complete Right Arm
5	8	20.684.000	Large Pipe Ring
6	2	BRF.012.140	Pipe M12 L=140
7	4	RP.012.036	Washer D.12 x 36
8	2	02.173.000	Spring
9	2	DA.012.0AG	Self Locking Nut M12
10	8	TE.012.030T	Screw TE 12 x 30
11	1	20.199.01C	Side Jack (Optional)
12	2	02.838.01C	Cylinder
13	10	02.472.000	Copper Washer
14	2	02.408.000	Jack Eye Right Union
15	3	20.718.000	Flow Regulator
17	1	40.348.000	Clamp
18	2	40.350.000	Clamp D.127
19	2	40.351.000	Union Lamin
20	1	40.349.000	Clamp
22	2	TE.022.110	Screw M22 x 110
23	4	DO.022.5588G	Lower M22 Nut
24	2	RP.022.000	Washer D.22
25	2	50.228.400	Tie Rod
26	1	50.226.500	Rear Holding Frame
27	1	50.228.200	Tie Rod
28	1	50.228.300	Tie Rod
29	1	50.232.800	Left Tie-Rod
30	1	50.232.900	Right Tie-Rod
31	8	20.937.000	Bracket
32	4	RP.010.000	Washer D.10
33	4	TE.010.035T	Screw TE 10 x 35
34	80	RP.012.000	Washer D.12
35	6	TE.012.040T	Bolt TE M12 x 40
36	38	D0.12.5587G	M12 Nut
37	4	20.900.600	Oil Pipe For Jack L=6000
38	20	RP.008.000	Washer D.8
39	4	RP.008.024	Washer D.8 x 24
40	16	DA.008.0AG	Self Locking Nut M8
41	32	TE.012.090	Screw TE M12 x 90
42	4	TE.008.025T	Screw TE M8 x 25
43	2	TE.020.080	Screw TE M20 x 80
44	4	D0.20.5589G	Lower Nut M20
45	2	SE.006.030	Elastic Pin D.6 x 30
46	1	02.471.000	Jack Eye 1/4"
47	1	02.409.000	Elbow With Retaining Ring Seal
48	1	20.010.000	Adaptor JIC - Female BSP
49	4	ID.006.001	Greaser

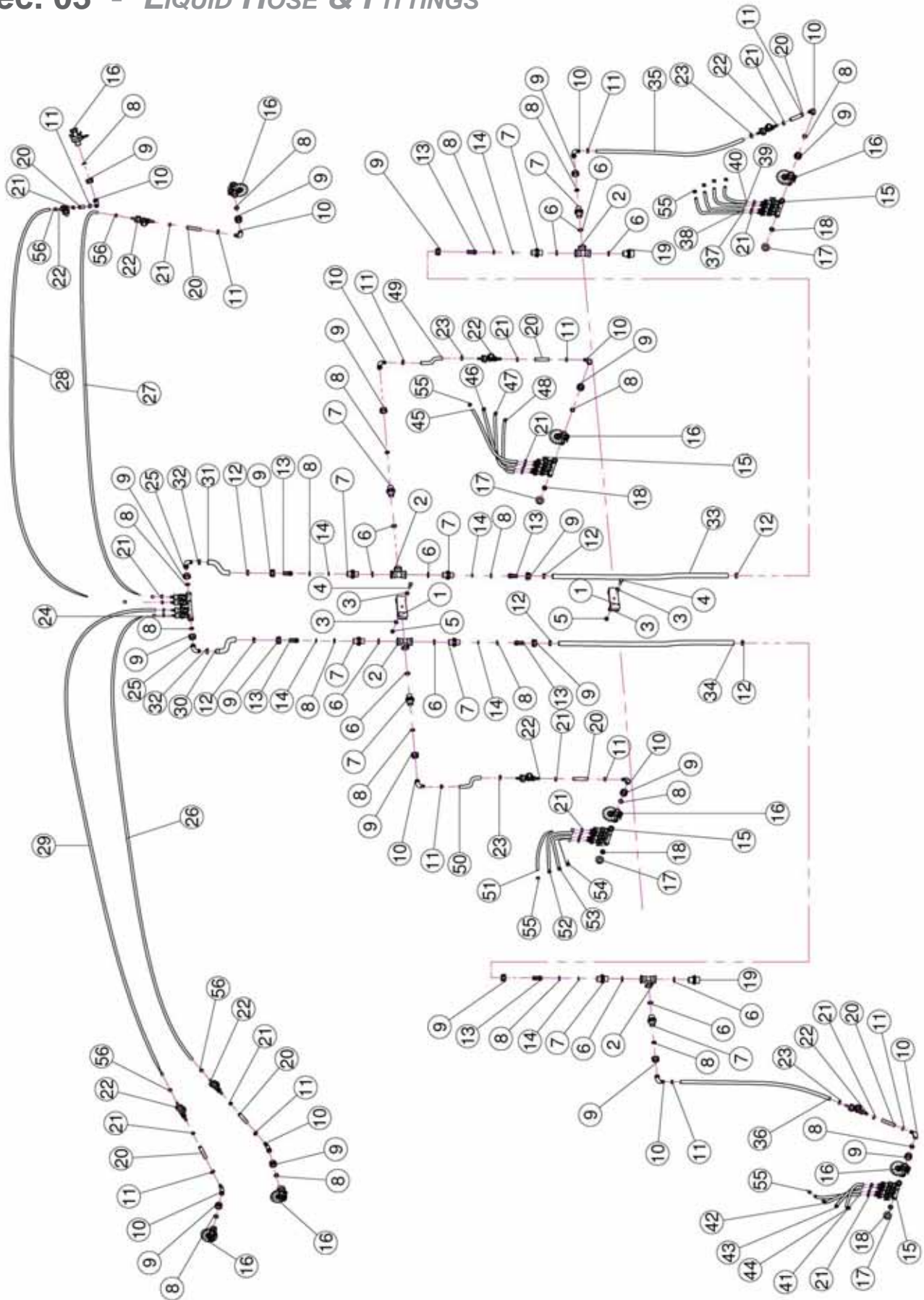
# Sec. 02 - DISTRIBUTION HEADS & AIR TUBES



## Sec. 02 - DISTRIBUTION HEADS & AIR TUBES

<u>REF.</u>	<u>QTY.</u>	<u>PART NO.</u>	<u>DESCRIPTION</u>
1	1	50.283.001	Body Air Outlet
2	1	21.100.060	Extension D.250 x 600
3	1	20.653.000	Body D.250 With 2 Outlets D.120
4	1	50.026.000	Extension D.250 x 100
5	1	50.078.000	Body D.250 - 175 With 2 Outlets D.130
6	1	20.204.003	Y Body in P.E.
7	2	20.644.004	Elbow D.120 L=220
8	2	20.644.003	Elbow D.120 L=130
9	5	05.813.000	Clamp D.275
10	2	02.021.000	Flexible Sleeve
11	2	20.014.000DX	Four Outlets
12	1	21.081.000	Left Clamp Ø 127
13	1	21.080.000	Right Clamp Ø 127
14	2	20.014.000DX	Four Outlets
15	6	00.008.050	Nozzle 8/50
16	8	00.006.050	Nozzle 6/50
17	4	02.127.000	Cap Nozzle Plug
18	2	20.504.200	D.250 Clamp
19	2	10.027.120	Nozzle 27/120
20	2	10.022.5.120	Nozzle 22.5/120
21	1	05.809.051	45° Elbow Bracket
22	1	21.203.000	Clamp
23	1	21.204.000	Clamp
24	2	20.283.000	Outlet's Joint Plate
25	2	00.125.001	Female Clamp D.125
26	2	04.845.000	Elbow D.120 A 105°
27	1	120MMRFH+	Polyurethan Hose D.120 L=1200 (Per Foot)
28	1	120MMRFH+	Polyurethan Hose D.120 L=1300 (Per Foot)
29	8	F0.120.000	Clamp D.120
30	16	20.697.000	Nozzle Stop
31	1	120MMRFH+	Polyurethan Hose D.120 L=2650 (Per Foot)
32	1	120MMRFH+	Polyurethan Hose D.120 L=2580 (Per Foot)
33	4	TE.010.030T	Screw TE M10 x 30
34	13	RP.010.030	Washer D.10 x 30 mm
35	10	D0.10.5587G	Nut M10
36	11	RP.010.000	Washer D.10
37	1	120MMRFH+	Polyurethan Hose D.120 L=2580 (Per Foot)
38	1	120MMRFH+	Polyurethan Hose D.120 L=2650 (Per Foot)
39	1	05.616.000	Pipe Clamp D.175
40	4	04.027.000	Pipe Clamp D.150
41	4	RP.008.000	Washer D.8
42	4	TE.008.025T	Screw TE M8 x 25
43	4	DA.010.0AG	Self Locking Nut M10
44	6	TE.010.035T	Screw TE 10 x 35
45	1	50.331.000	Elbow Bracket
46	2	20.570.300	Fixing Distributor Bracket
47	4	TCC.06.16	Cross Slotted Screw M6 x 16
48	4	DOT.06.5587	M6 Brass Nut 5587
<b>20.014.000</b>			
1	4	20.016.01C	Venturi Body

# Sec. 03 - LIQUID HOSE & FITTINGS



## Sec. 03 - LIQUID HOSE & FITTINGS

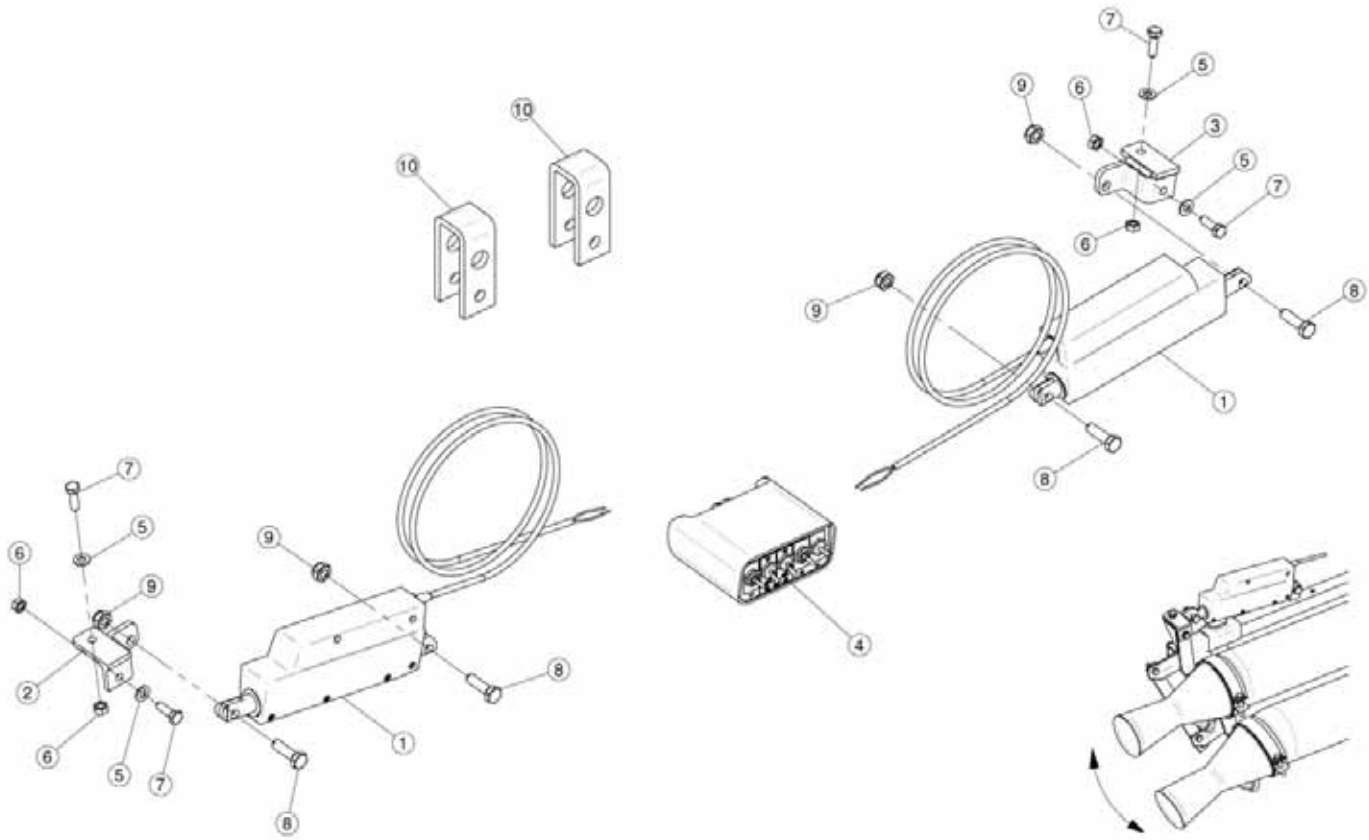
<u>REF.</u>	<u>QTY.</u>	<u>PART NO.</u>	<u>DESCRIPTION</u>
1	2	02.999.000	T Union Fixing Bracket
2	4	02.396.000	Union 3/4" - 3/4" F.
3	4	RP.010.000	Washer D.10
4	2	TE.010.035T	Screw TE 10 x 35
5	2	DA.010.0BG	Self Locking Nut M10
6	12	OR.004.081	20.22 x 3.53 O-Ring Gasket
7	10	02.380.000	Nipple 3/4"
8	20	02.349.000	17 x 23 x 3 Flat Gasket
9	20	00.055.045	3/4" Fly Nut
10	12	00.055.046R	Curved Union With R.H. D.14
11	12	FC.016.5.018	Hose Clamp 16.5 - 18
12	6	FC.022.5.024	Hose Clamp 22.5 - 24
13	6	02.002.000	Straight Union 3/4" R.H. 18
14	6	OR.000.117	13.1 x 18.34 x 2.62 O-Ring Gasket
15	4	02.008.304C	4 Taps Liquid Manifold
16	8	02.150.000	Rotation Disk Regulation
17	4	02.182.000	Female 3/4" Cap
18	4	02.030.010	Gasket
19	2	02.293.000	1" M - 3/4" M Reducer Nipple
20	8	02.213.000	Hose D.10 x 16 L=70 (Per Foot)
21	28	FC.013.5.015	Hose Clamp
22	8	00.226.05C	Complete Antidrop
23	4	FC.015.5.017	Hose Clamp
24	1	02.008.204C	4 Taps Liquid Manifold
25	2	00.055.046	Curved Union With R.H. D.17
26	1	02.217.000	Hose D.8 x 13 L=2900 (Per Foot)
27	1	02.217.000	Hose D.8 x 13 L=2900 (Per Foot)
28	1	02.217.000	Hose D.8 x 13 L=3150 (Per Foot)
29	1	02.217.000	Hose D.8 x 13 L=3150 (Per Foot)
30	1	02.211.000	Hose D.16 x 23 L=230 (Per Foot)
31	1	02.211.023	Hose D.16 x 23 L=230 (Per Foot)
32	2	FC.023.5.025	Hose Clamp 23.5 - 25
33	1	02.211.000	Hose D.16 x 23 L=1850 (Per Foot)
34	1	02.211.000	Hose D.16 x 23 L=1850 (Per Foot)
35	1	02.213.000	Hose D.10 x 16 L=950 (Per Foot)
36	1	02.213.000	Hose D.10 x 16 L=950 (Per Foot)
37	1	02.217.000	Hose D.8 x 13 L=390 (Per Foot)
38	1	02.217.000	Hose D.8 x 13 L=360 (Per Foot)
39	1	02.217.000	Hose D.8 x 13 L=320 (Per Foot)
40	1	02.217.000	Hose D.8 x 13 L=280 (Per Foot)



## Sec. 03 - LIQUID HOSE & FITTINGS

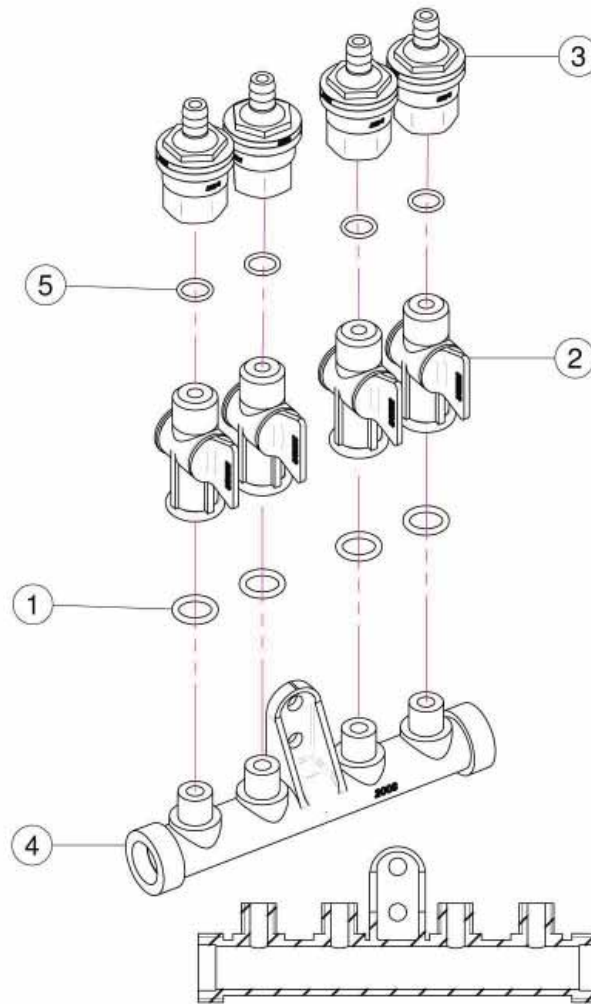
<u>REF.</u>	<u>QTY.</u>	<u>PART NO.</u>	<u>DESCRIPTION</u>
41	1	02.217.000	Hose D.8 x 13 L=390 (Per Foot)
42	1	02.217.000	Hose D.8 x 13 L=360 (Per Foot)
43	1	02.217.000	Hose D.8 x 13 L=320 (Per Foot)
44	1	02.217.000	Hose D.8 x 13 L=280 (Per Foot)
45	1	02.217.000	Hose D.8 x 13 L=430 (Per Foot)
46	1	02.217.000	Hose D.8 x 13 L=380 (Per Foot)
47	1	02.217.000	Hose D.8 x 13 L=350 (Per Foot)
48	1	02.217.000	Hose D.8 x 13 L=320 (Per Foot)
49	1	02.213.000	Hose D.10 x 16 L=200 (Per Foot)
50	1	02.213.000	Hose D.10 x 16 L=200 (Per Foot)
51	1	02.217.000	Hose D.8 x 13 L=430 (Per Foot)
52	1	02.217.000	Hose D.8 x 13 L=380 (Per Foot)
53	1	02.217.000	Hose D.8 x 13 L=350 (Per Foot)
54	1	02.217.000	Hose D.8 x 13 L=320 (Per Foot)
55	16	FC.012.5.014	Hose Clamp
56	4	FC.014.5.016	Hose Clamp

## Sec. 04 - ACTUATOR & SOLENOID VALVE



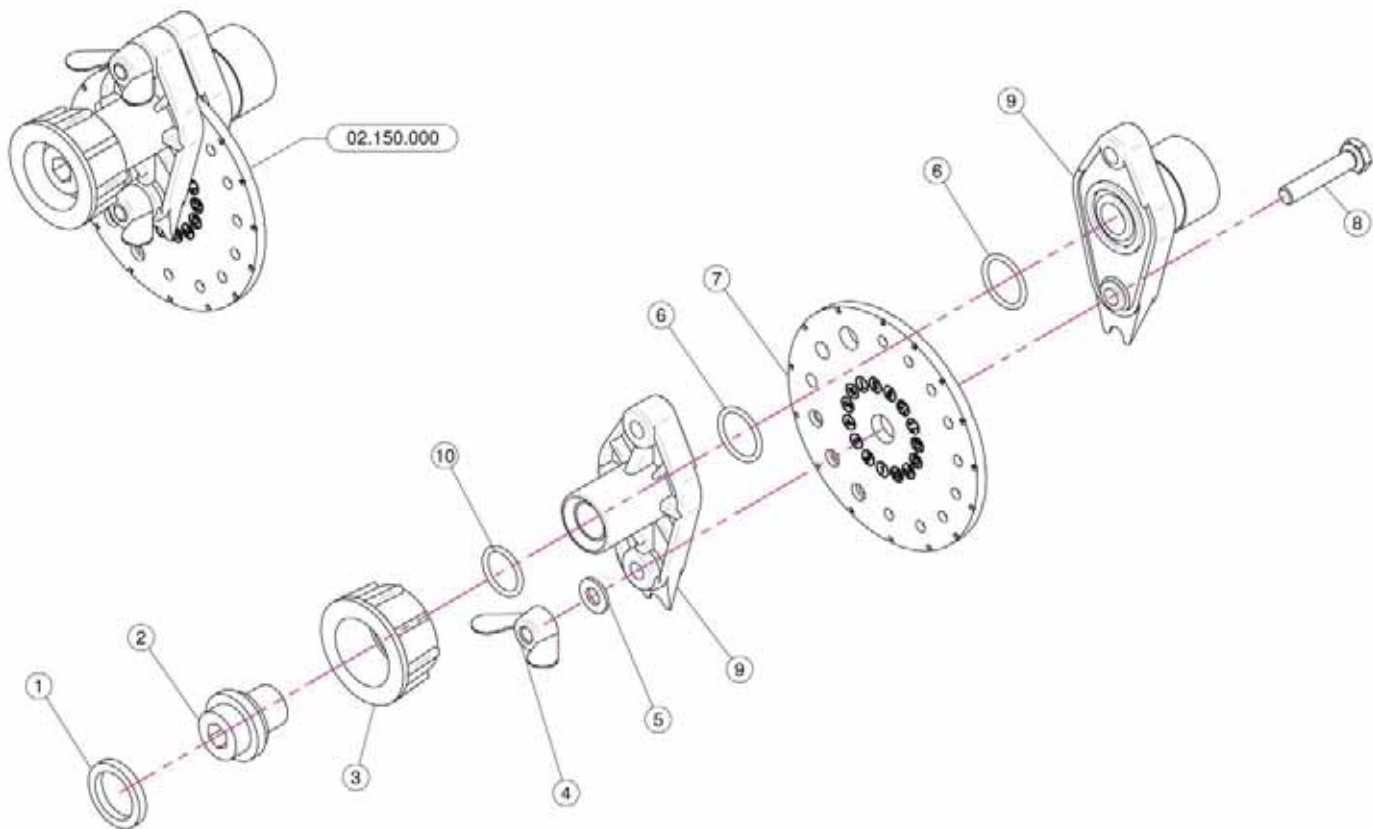
<u>REF.</u>	<u>QTY.</u>	<u>PART NO.</u>	<u>DESCRIPTION</u>
1	2	21.016.000	Linear Actuator (LA 12.1)
2	1	21.175.000	Actuator Bracket
3	1	21.174.000	Actuator Bracket
4	1	21.030.200	Kit Remote Control (Linear Actuator/Solenoid Valve)
5	4	RP.008.000	Washer D.8
6	4	D0.08.5587G	Nut M8
7	4	TE.008.025T	Screw TE M8 x 25
8	4	TE.010.035T	Screw TE 10 x 35
9	4	DA.010.0BG	Self Locking Nut M10
10	2	20.742.106Z	U Bolt

## Sec. 05 - MANIFOLD & SHUT-OFF VALVES



<u>REF.</u>	<u>QTY.</u>	<u>PART NO.</u>	<u>DESCRIPTION</u>
		<b>02.008.304C</b>	<b>Complete Assembly</b>
1	4	OR.000.117	13.1 x 18.34 x 2.62 O-Ring Gasket
2	4	20.202.100	Tap Assembly
3	4	00.227.01C	Anti-Drip Valve
4	1	02.008.000	Sprayheads Liquid Manifold
5	4	OR.002.043	10.82 x 14.38 x 1.78 Nbr 70 O-Ring Gasket

## Sec. 06 - *DIAL-A-RATE*



<b>REF.</b>	<b>QTY.</b>	<b>PART NO.</b>	<b>DESCRIPTION</b>
1	1	02.349.000	17 x 23 x 3 Flat Gasket
2	1	02.117.000	Adaptor Nipple
3	1	2002030	3/4" Fly Nut
4	2	DF.OTT.006	Wing Nut M6
5	2	RP.006.000I	INOX Washer D.6
6	2	OR1560178	D.15.6 x 1.78 O-Ring
7	1	02.148.000	Regulator Disc
8	2	TE.006.030I	INOX M6 x 30 Bolt
9	1	02.147.000	Regulator Body
10	1	OR1242178	O-Ring D.12.37 x 2.62