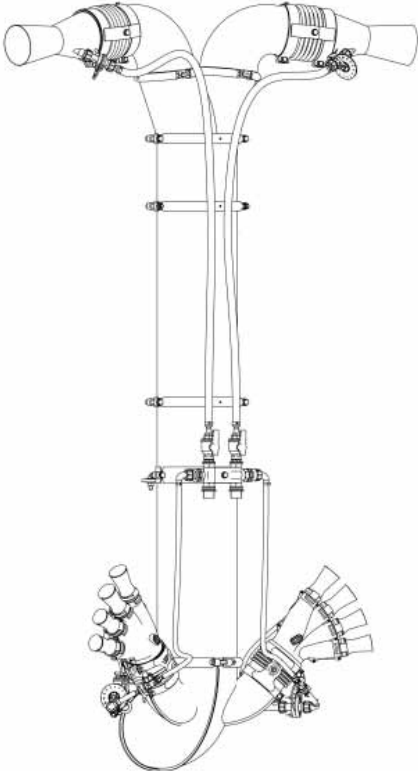




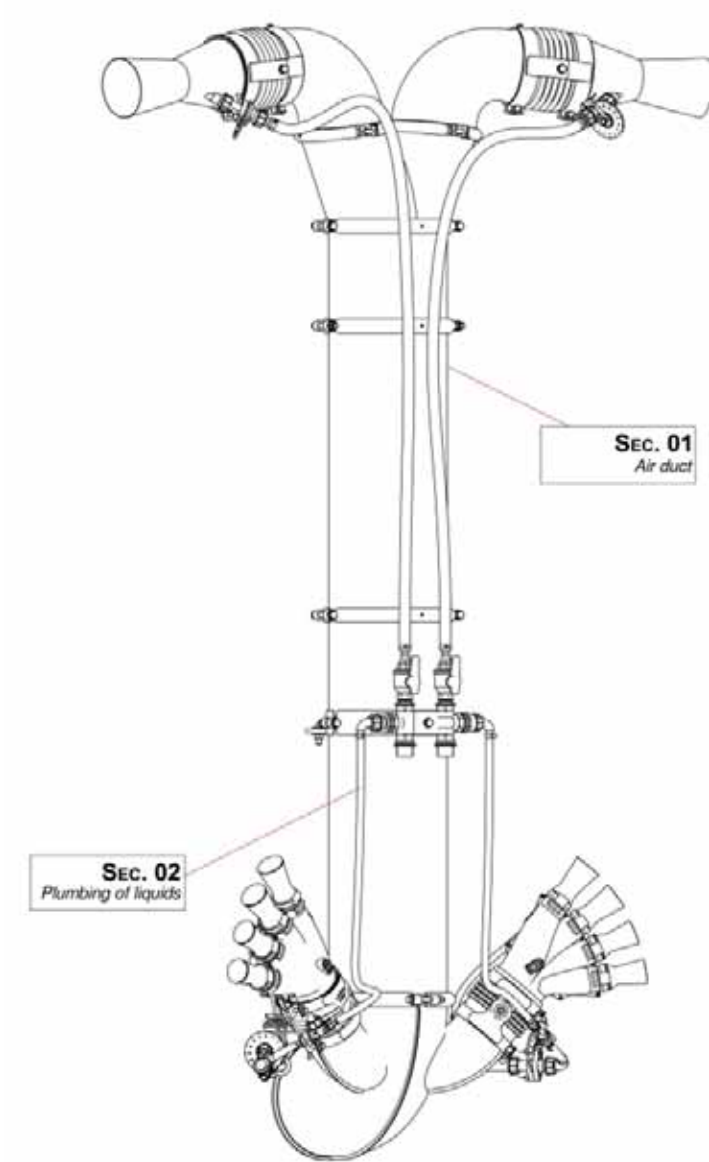
VENTURI AIR SPRAYERS 2 UPPER CANNONS & 2 LOWER 4+4 HEADS



**Parts Manual For
TC2M2C55T12-EXT Distribution Head
For T55 Sprayers**

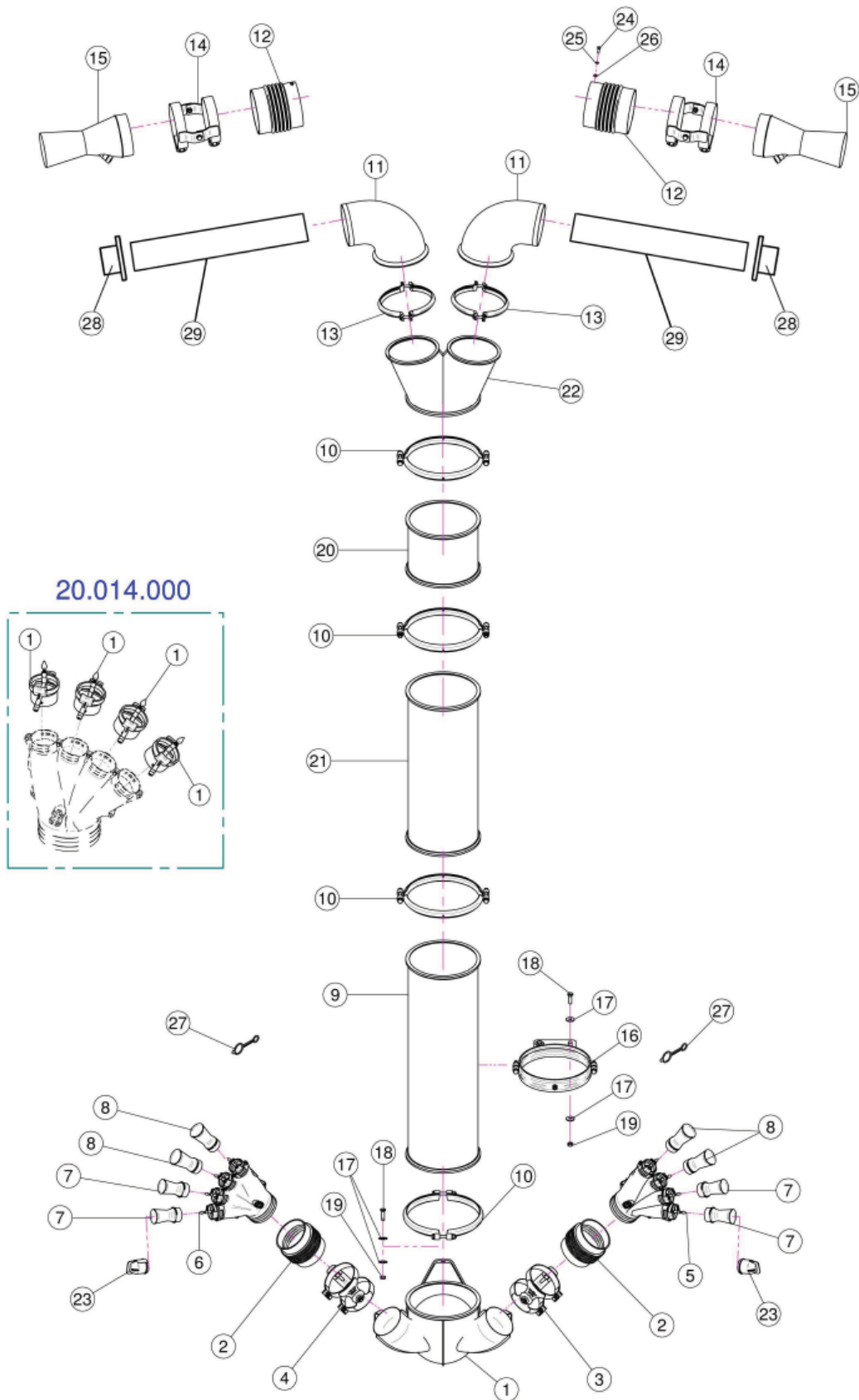
July 2013

TABLE OF CONTENTS



<u>SECTION</u>	<u>DESCRIPTION</u>	<u>PAGE</u>
1	Air Tubes & Nozzles	1-2
2	Liquid Hose & Fittings	3-4
3	Manifold & Shut-Off Valves	5
4	Dial-A-Rate	6

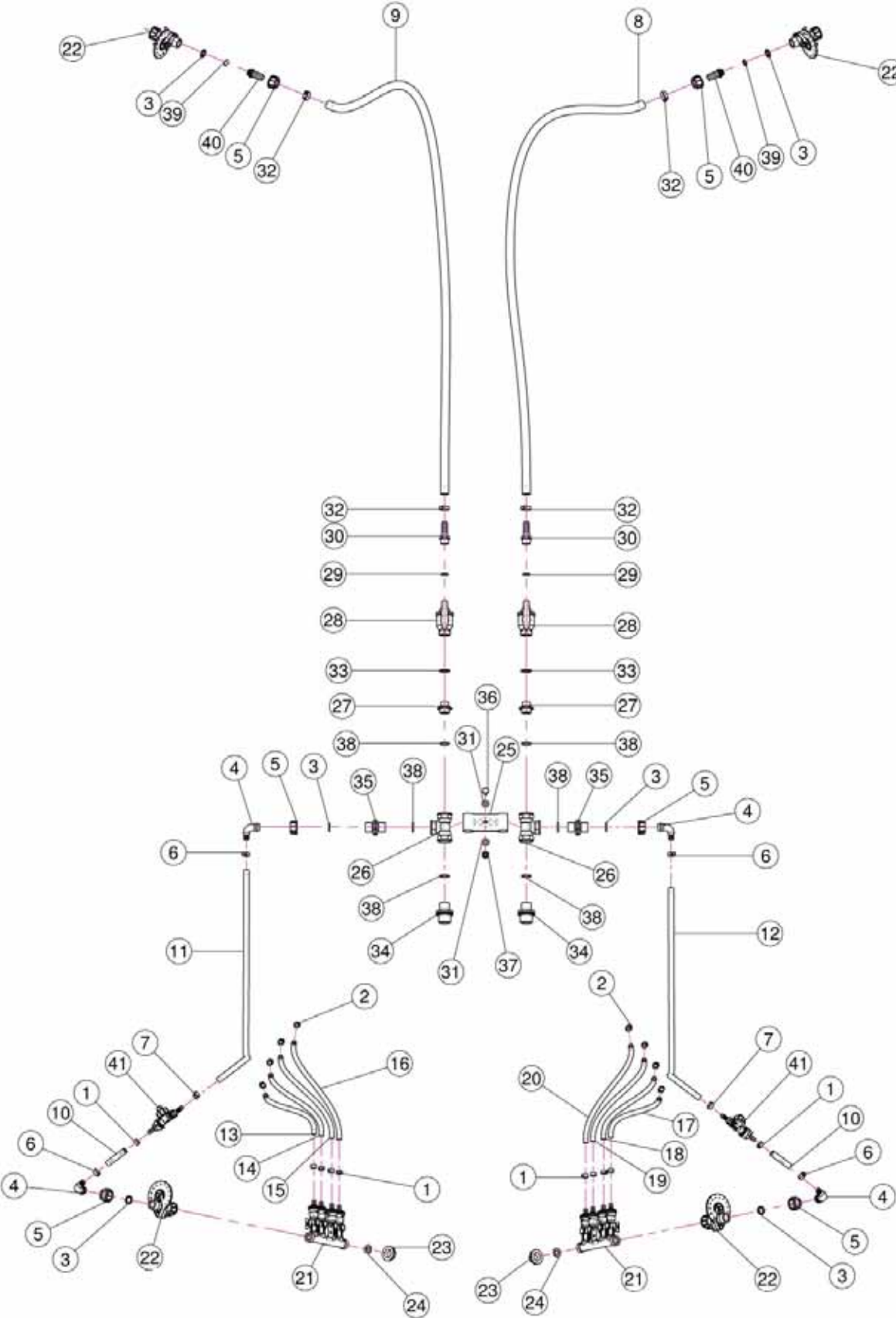
Sec. 01 - AIR TUBES & NOZZLES



Sec. 01 - AIR TUBES & NOZZLES

<u>REF.</u>	<u>QTY.</u>	<u>PART NO.</u>	<u>DESCRIPTION</u>
1	1	05.843.200	Body D.230 With 2 Outlets D.120
2	2	02.021.000	Flexible Sleeve
3	1	21.081.000	Left Clamp Ø 127
4	1	21.080.000	Right Clamp Ø 127
5	1	20.014.000SX	Four Outlets
6	1	20.014.000DX	Four Outlets
7	4	00.008.050	Nozzle 8/50
8	4	00.010.050	Nozzle 10/50
9	1	21.100.080	Extension D.250 x 800
10	4	05.813.000	Clamp D.275
11	2	05.615.000	Elbow 90° D.150
12	2	02.724.000	Sleeve
13	6	05.616.000	Pipe Clamp D.175
14	2	02.807.000	Clamp D.150
15	2	10.055.150	Nozzle 55/150
16	1	20.504.000	D.250 Clamp Heads Fixing
17	6	RP.010.030	Washer D.10 x 30 mm
18	3	TE.010.035T	Screw TE 10 x 35
19	3	D0.10.5587G	Nut M10
20	1	21.100.020	Extension D.250 x 200
21	1	21.100.060	Extension D.250 x 600
22	1	05.976.100	Body D.250 With 2 Outlets D.175
23	2	02.127.000	Cap Nozzle Plug (Optional)
24	2	TE.006.020T	Screw TE M6 x 20
25	2	RP.006.000	Washer D.6
26	2	D0.06.5588G	Nut M6
27	8	20.697.000	Nozzle Stop
28	2	05.681.000	Collar
29	2	02.187.000	Extension L=16"
20.014.000			
1	4	20.016.01C	Venturi Body

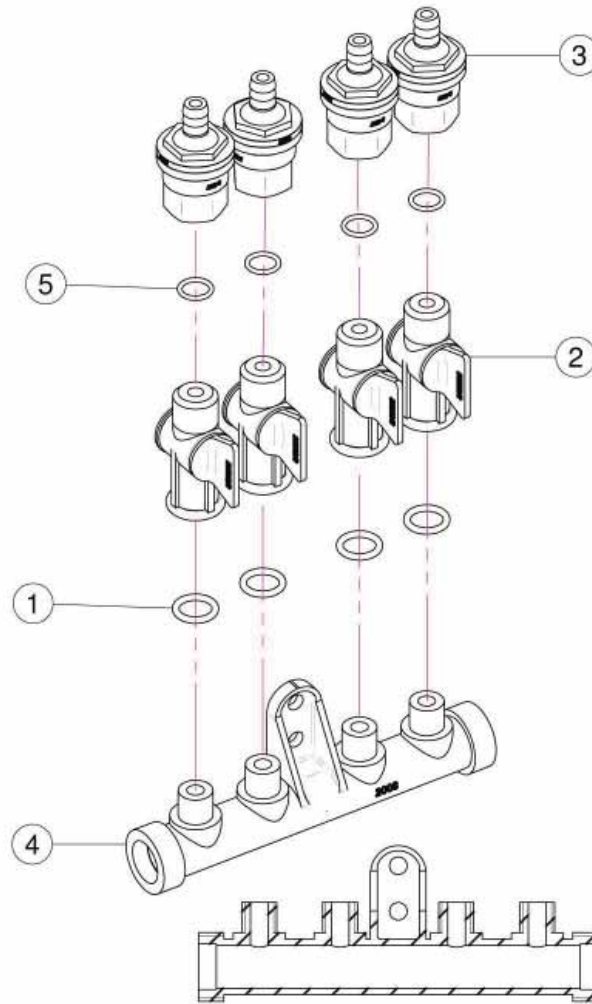
Sec. 02 - LIQUID HOSE & FITTINGS



Sec. 02 - LIQUID HOSE & FITTINGS

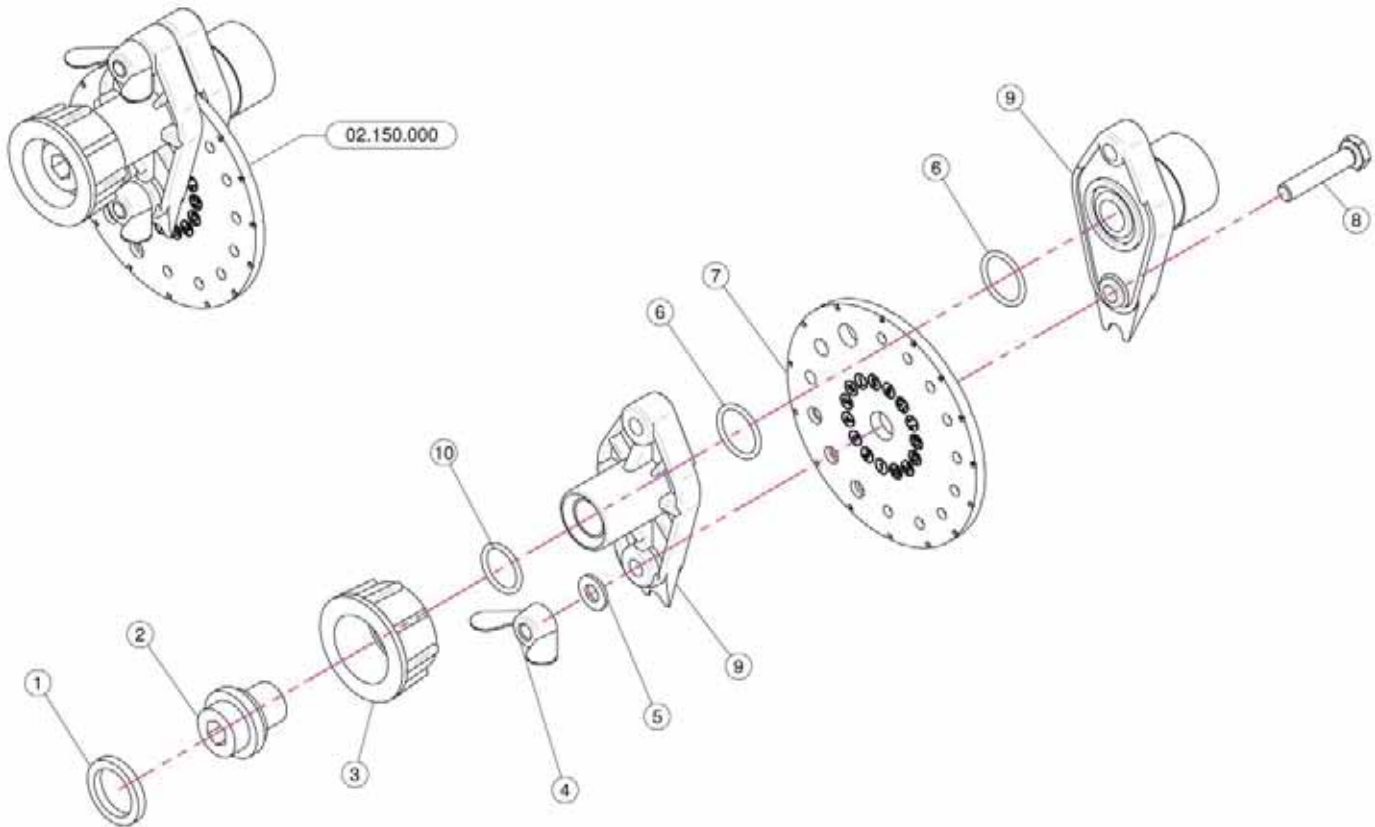
<u>REF.</u>	<u>QTY.</u>	<u>PART NO.</u>	<u>DESCRIPTION</u>
1	10	FC.013.5.015	Hose Clamp
2	8	FC.012.5.014	Hose Clamp
3	6	02.349.000	17 x 23 x 3 Flat Gasket
4	4	00.055.046R	Curved Union With R.H. D.14
5	6	00.055.045	3/4" Fly Nut
6	4	FC.016.5.018	Hose Clamp 16.5 - 18
7	2	FC.015.5.017	Hose Clamp
8	As Req'd	02.211.000	Hose D.16 x 23 L=160
9	As Req'd	02.211.000	Hose D.16 x 23 L=160
10	As Req'd	02.213.000	Hose D.10 x 15 L=7
11	As Req'd	02.213.000	Hose D.10 x 15 L=65
12	As Req'd	02.213.000	Hose D.10 x 15 L=65
13	As Req'd	02.217.000	Hose D.8 x 13 L=29
14	As Req'd	02.217.000	Hose D.8 x 13 L=33
15	As Req'd	02.217.000	Hose D.8 x 13 L=38
16	As Req'd	02.217.000	Hose D.8 x 13 L=41
17	As Req'd	02.217.000	Hose D.8 x 13 L=29
18	As Req'd	02.217.000	Hose D.8 x 13 L=33
19	As Req'd	02.217.000	Hose D.8 x 13 L=38
20	As Req'd	02.217.000	Hose D.8 x 13 L=41
21	2	02.008.304C	4 Taps Liquid Manifold
22	4	02.150.000	Rotation Disk Regulation
23	2	02.182.000	Female 3/4" Cap
24	2	02.030.010	Gasket
25	1	02.999.000	T Union Fixing Bracket
26	2	02.396.000	Union 3/4" - 3/4" F.
27	2	00.055.044	Nipple 1/2" - 3/4" Gas
28	2	21.147.000	Ways Valve 1/2" F/F
29	2	OR.000.121	15.88 x 2.62 O-Ring Gasket
30	2	21.151.000	Straight Hose R.H. D.16
31	2	RP.010.000	Washer D.10
32	4	FC.022.5.024	Hose Clamp 22.5 - 24
33	2	02.265.000	Plane Gasket D.20/30 x 2.5
34	2	02.293.000	1" M - 3/4" M Reducer Nipple
35	2	02.380.000	Nipple 3/4"
36	1	TE.010.035T	Screw TE 10 x 35
37	1	DA.010.0BG	Self Locking Nut M10
38	6	OR.004.081	20.22 x 3.53 O-Ring Gasket
39	2	OR.000.117	13.1 x 18.34 x 2.62 O-Ring Gasket
40	2	02.002.000	Straight Union 3/4" R.H. 18
41	2	00.266.05C	Complete Antidrip

Sec. 03 - MANIFOLD & SHUT-OFF VALVES



<u>REF.</u>	<u>QTY.</u>	<u>PART NO.</u>	<u>DESCRIPTION</u>
		02.008.304C	Complete Assembly
1	4	OR.000.117	13.1 x 18.34 x 2.62 O-Ring Gasket
2	4	20.202.100	Tap Assembly
3	4	00.227.01C	Anti-Drip Valve
4	1	02.008.000	Sprayheads Liquid Manifold
5	4	OR.002.043	10.82 x 14.38 x 1.78 Nbr 70 O-Ring Gasket

Sec. 04 - *DIAL-A-RATE*



<u>REF.</u>	<u>QTY.</u>	<u>PART NO.</u>	<u>DESCRIPTION</u>
1	1	02.349.000	17 x 23 x 3 Flat Gasket
2	1	02.117.000	Adaptor Nipple
3	1	2002030	3/4" Fly Nut
4	2	DF.OTT.006	Wing Nut M6
5	2	RP.006.000I	INOX Washer D.6
6	2	OR1560178	D.15.6 x 1.78 O-Ring
7	1	02.148.000	Regulator Disc
8	2	TE.006.030I	INOX M6 x 30 Bolt
9	1	02.147.000	Regulator Body
10	1	OR1242178	O-Ring D.12.37 x 2.62