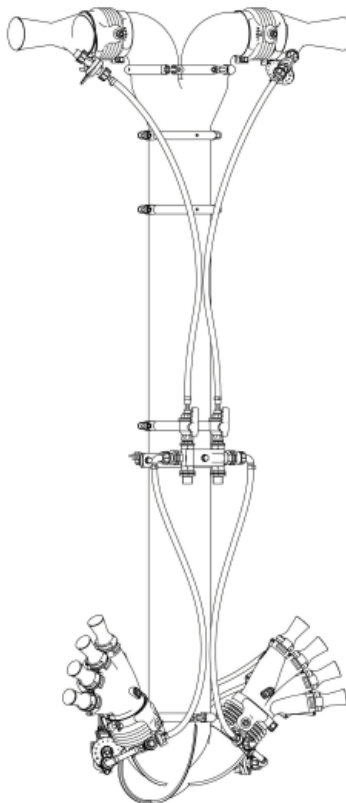




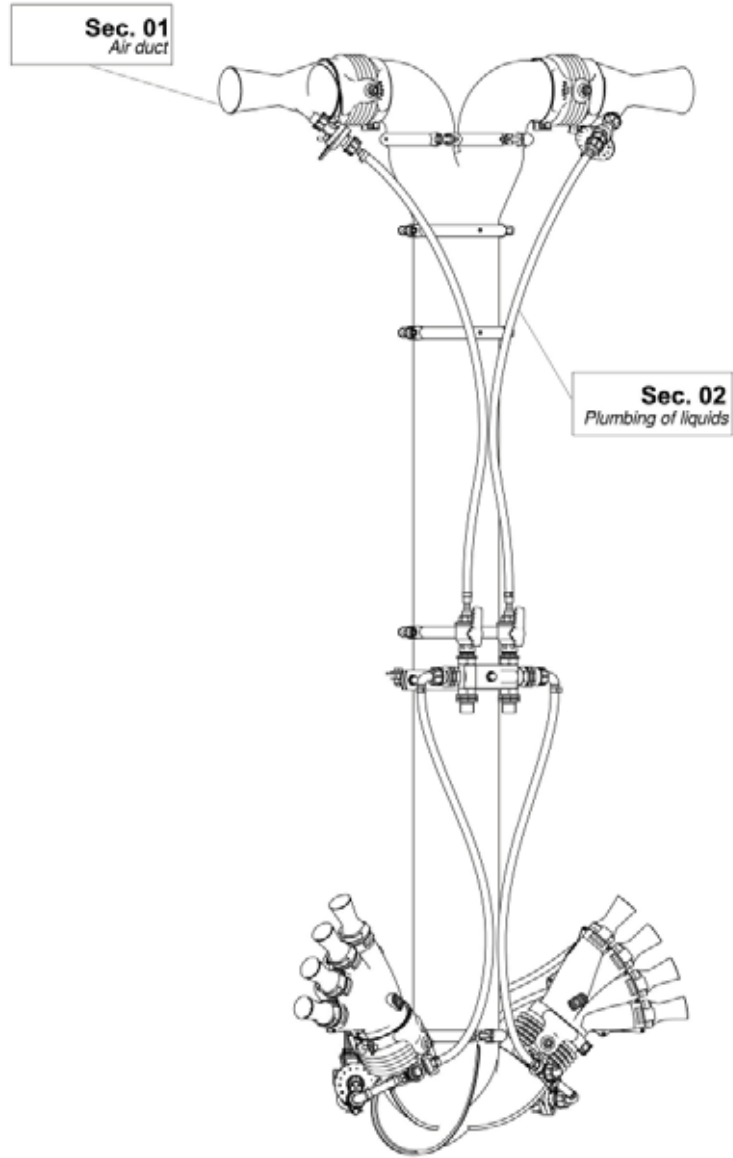
VENTURI AIR SPRAYERS 2 UPPER CANNONS & 2 LOWER 4+4 HEADS



**Parts Manual For
TC2M2C45T12 Distribution Head
For T45 Sprayers**

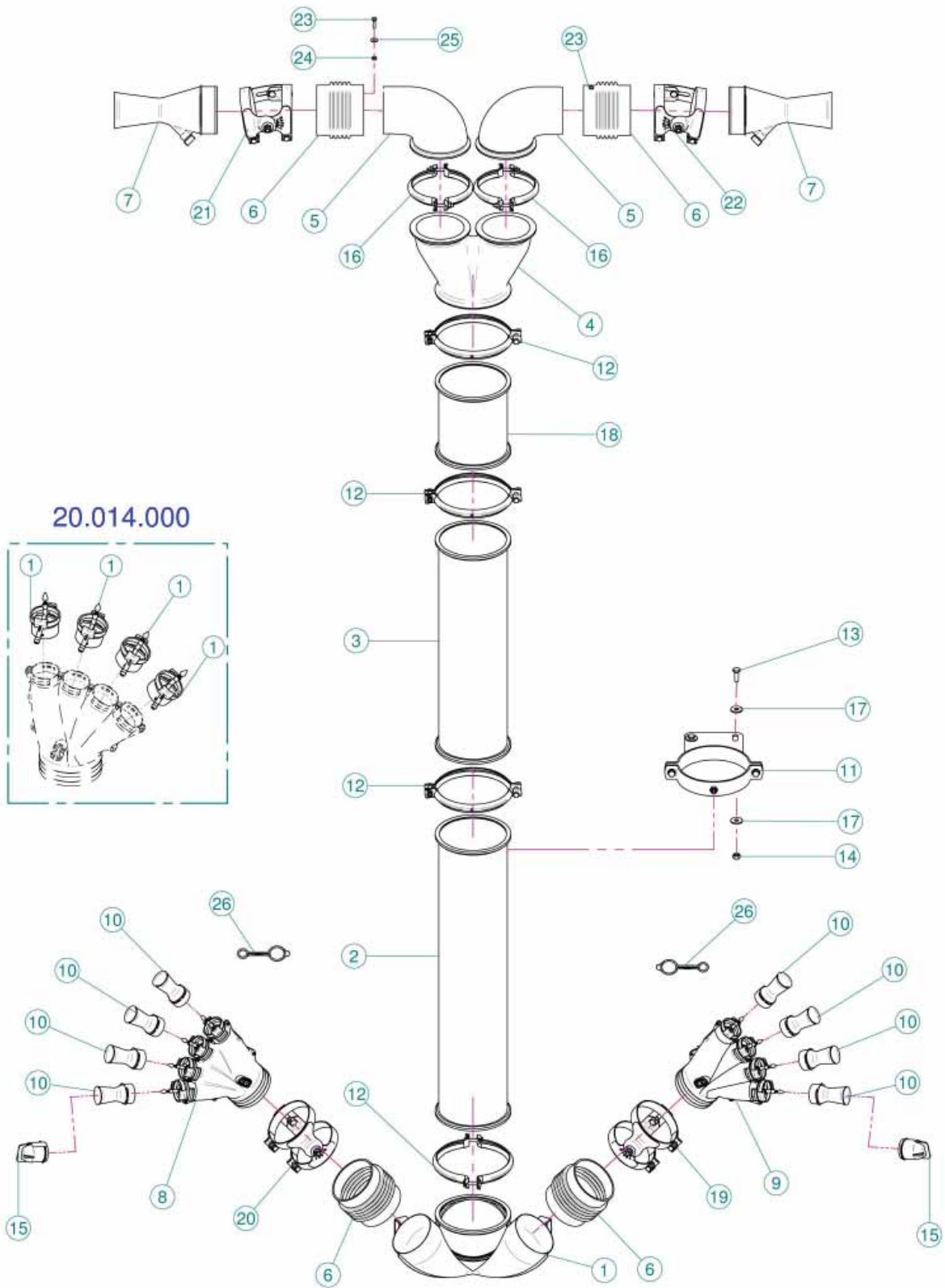
July 2013

TABLE OF CONTENTS



<u>SECTION</u>	<u>DESCRIPTION</u>	<u>PAGE</u>
1	Air Tubes & Nozzles	1-2
2	Liquid Hose & Fittings	3-4
3	Manifold & Shut-Off Valves	5
4	Dial-A-Rate	6

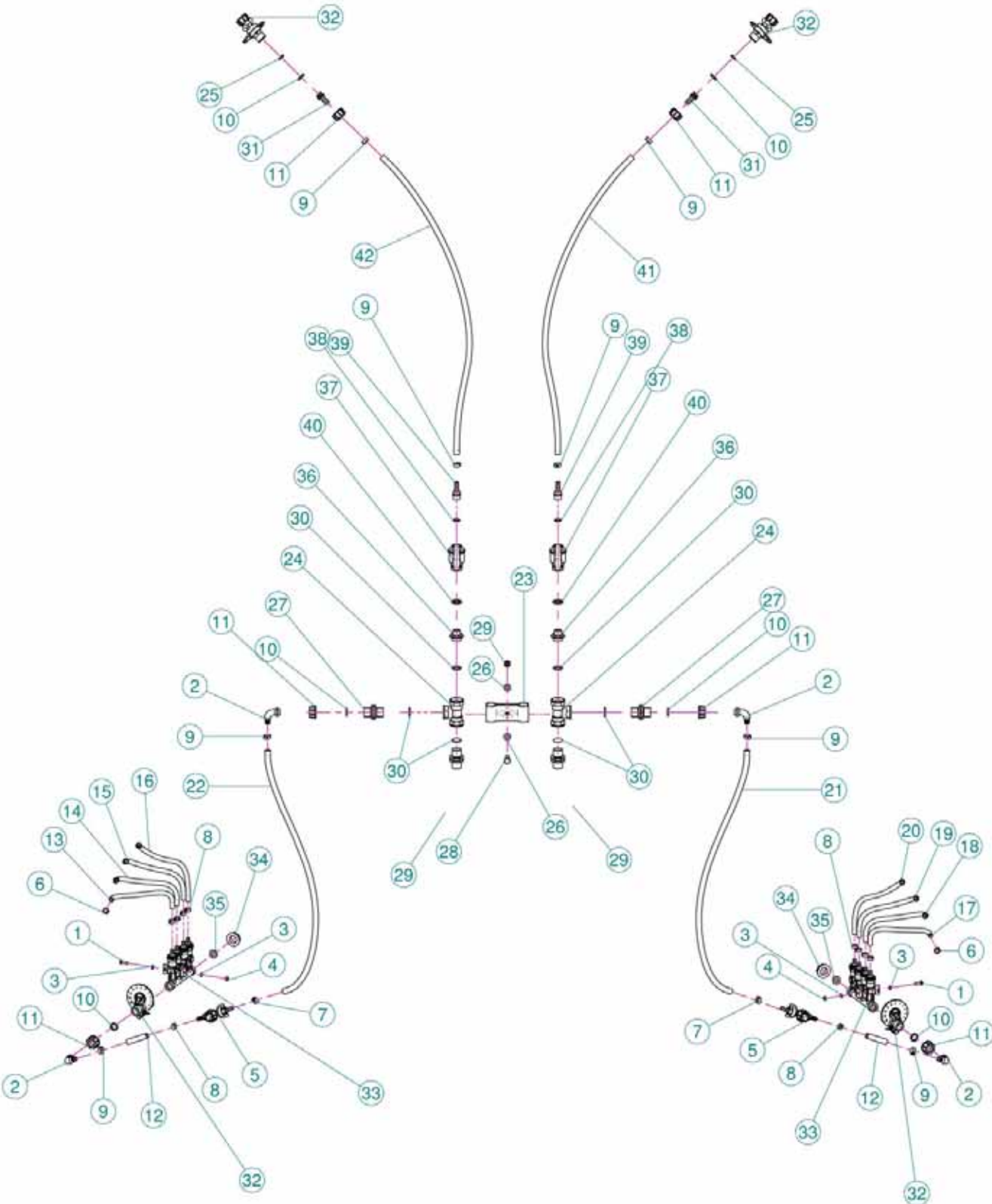
Sec. 01 - AIR TUBES & NOZZLES



Sec. 01 - AIR TUBES & NOZZLES

<u>REF.</u>	<u>QTY.</u>	<u>PART NO.</u>	<u>DESCRIPTION</u>
1	1	02.996.100	Lower Bend
2	1	02.189.000	Extension D.175 x 800
3	1	02.188.000	Extension D.175 x 600
4	1	20.204.004	Y Body In P.E.
5	2	20.205.000	90° D.120 Elbow
6	4	02.021.000	Flexible Sleeve
7	2	10.022.5.120	Nozzle 22.5/120
8	1	20.014.000DX	Four Outlets
9	1	20.014.000SX	Four Outlets
10	8	00.006.050	Nozzle 6/50
11	1	20.503.000	D.175 Clamp Heads Fixing
12	4	05.616.000	Pipe Clamp D.175
13	2	TE.010.030T	Screw TE M10 x 30
14	2	D0.10.5587G	Nut M10
15	2	02.127.000	Cap Nozzle Plug (Option)
16	2	04.027.000	Pipe Clamp D.150
17	4	RP.010.030	Washer D.10 x 30 mm
18	1	02.186.000	Extension D.175 x 200
19	1	21.080.000	Right Clamp Ø 127
20	1	21.081.000	Left Clamp Ø 127
21	1	21.081.000	Left Clamp Ø 127
22	1	21.080.000	Right Clamp Ø 127
23	2	TE.006.025T	Screw TE M6 x 25
24	2	D0.06.5588G	Nut M6
25	2	RP.006.018	Washer D.6 x 18
26	8	20.697.000	Nozzle Stop
20.014.000			
1	4	20.016.01C	Venturi Body

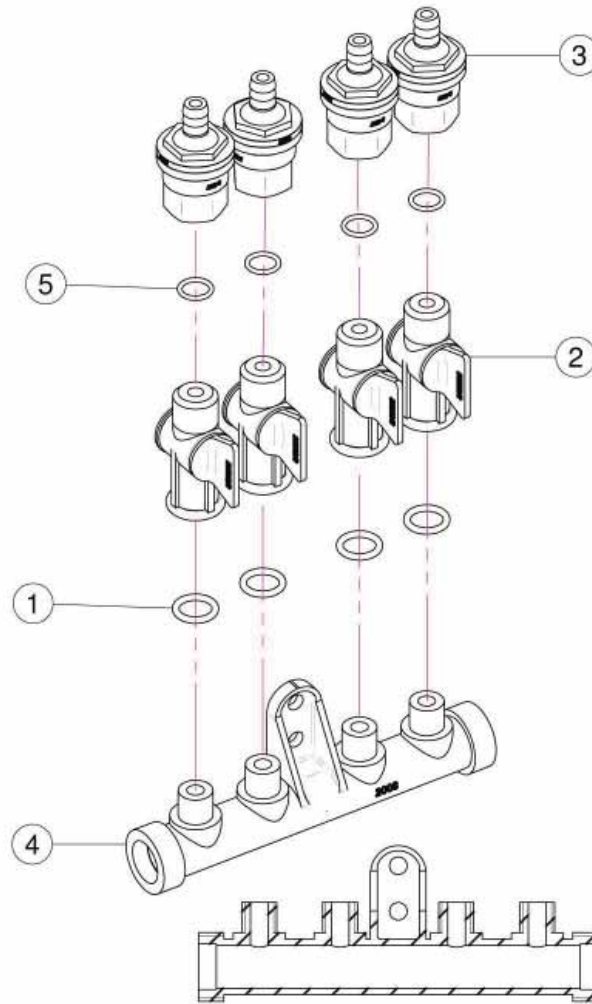
Sec. 02 - LIQUID HOSE & FITTINGS



Sec. 02 - LIQUID HOSE & FITTINGS

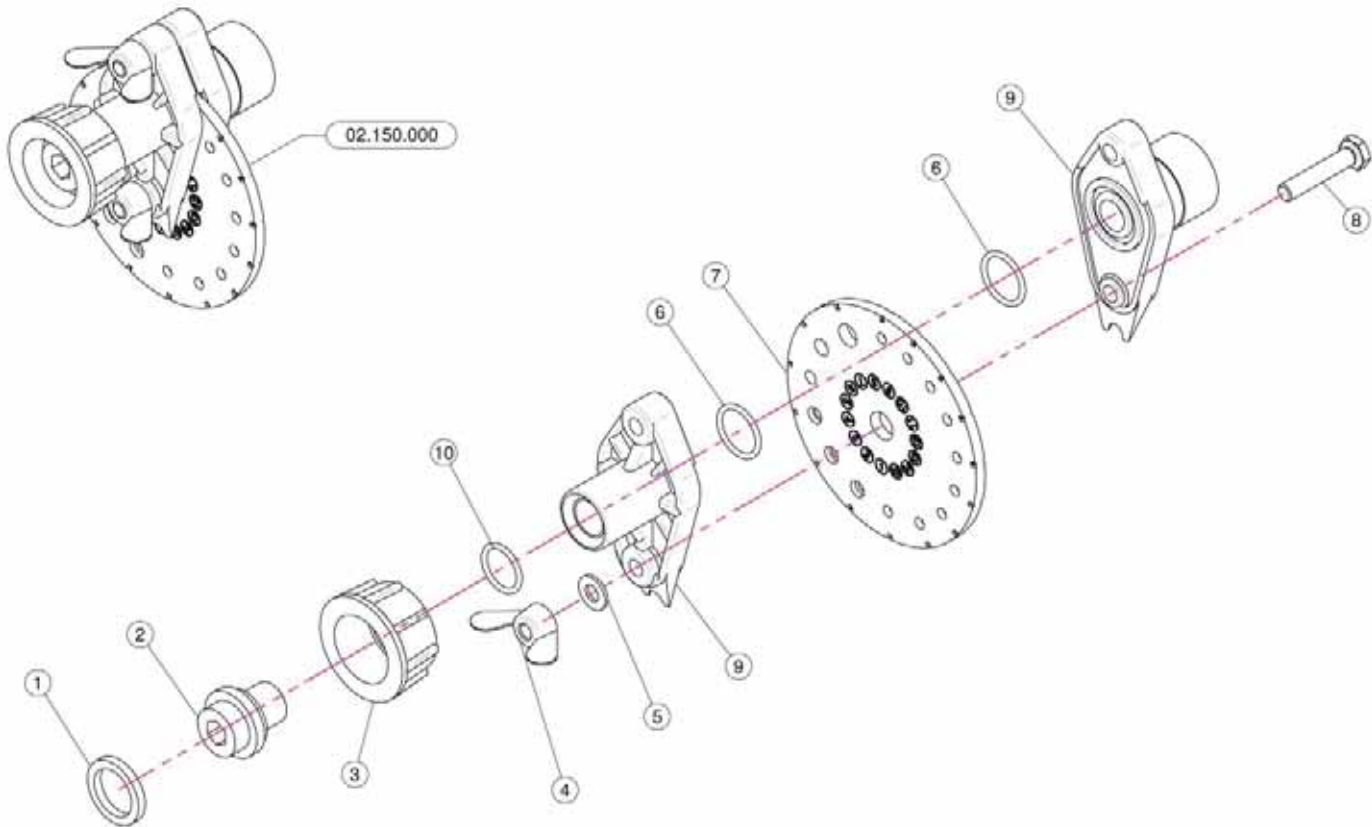
<u>REF.</u>	<u>QTY.</u>	<u>PART NO.</u>	<u>DESCRIPTION</u>
1	4	TE.006.020T	Screw TE M6 x 20
2	4	00.055.046R	Curved Union With R.H. D.14
3	8	RP.006.000	Washer D.6
4	4	D0.06.5588G	Nut M6
5	2	00.226.05C	Complete Antidrop
6	8	FC.012.5.014	Hose Clamp
7	2	FC.015.5.017	Hose Clamp
8	10	FC.013.5.015	Hose Clamp
9	8	FC.016.5.018	Hose Clamp 16.5 - 18
10	6	02.349.000	17 x 23 x 3 Flat Gasket
11	6	00.055.045	3/4" Fly Nut
12	2	02.213.000	Hose D.10 L=70 (Per Foot)
13	1	02.217.000	Hose D.8 x 13 L=310 (Per Foot)
14	1	02.217.000	Hose D.8 x 13 L=330 (Per Foot)
15	1	02.217.000	Hose D.8 x 13 L=390 (Per Foot)
16	1	02.217.000	Hose D.8 x 13 L=410 (Per Foot)
17	1	02.217.000	Hose D.8 x 13 L=310 (Per Foot)
18	1	02.217.000	Hose D.8 x 13 L=330 (Per Foot)
19	1	02.217.000	Hose D.8 x 13 L=390 (Per Foot)
20	1	02.217.000	Hose D.8 x 13 L=410 (Per Foot)
21	1	02.213.090	Pipe D.0 x 16 L=90 cm
22	1	02.213.090	Pipe D.10 x 16 L=90 cm
23	1	02.999.000	T Union Fixing Bracket
24	2	02.396.000	Union 3/4" - 3/4" - 3/4" F.
25	2	OR.000.117	13.1 x 18.34 x 2.62 O-Ring Gasket
26	2	RP.010.000	Washer D.10
27	4	02.380.000	Nipple 3/4"
28	1	TE.010.035T	Screw TE 10 x 35
29	1	DA.010.0BG	Self Locking Nut M10
30	6	OR.004.081	20.22 x 3.53 O-Ring Gasket
31	2	02.122.000	D.13 Union
32	4	02.150.000	Rotation Disk Regulation
33	2	02.008.304C	4 Taps Liquid Manifold
34	2	02.182.000	Female 3/4" Cap
35	2	02.030.010	Gasket
36	2	00.055.044	Nipple 1/2" - 3/4" Gas
37	2	21.147.000	Ways Valve 1/2" F/F
38	2	OR.000.121	15.88 x 2.62 O-Ring Gasket
39	2	21.150.000	Straight Hose R.H. D.13 Thr. 1/2" M.
40	2	02.265.000	Plane Gasket D.20/30 x 2.5
41	1	02.213.000	Hose D.10 x 16 L=135 cm (Per Foot)
42	1	02.213.000	Hose D.10 x 16 L=135 cm (Per Foot)

Sec. 03 - MANIFOLD & SHUT-OFF VALVES



<u>REF.</u>	<u>QTY.</u>	<u>PART NO.</u>	<u>DESCRIPTION</u>
		02.008.304C	Complete Assembly
1	4	OR.000.117	13.1 x 18.34 x 2.62 O-Ring Gasket
2	4	20.202.100	Tap Assembly
3	4	00.227.01C	Anti-Drip Valve
4	1	02.008.000	Sprayheads Liquid Manifold
5	4	OR.002.043	10.82 x 14.38 x 1.78 Nbr 70 O-Ring Gasket

Sec. 04 - DIAL-A-RATE



<u>REF.</u>	<u>QTY.</u>	<u>PART NO.</u>	<u>DESCRIPTION</u>
1	1	02.349.000	17 x 23 x 3 Flat Gasket
2	1	02.117.000	Adaptor Nipple
3	1	2002030	3/4" Fly Nut
4	2	DF.OTT.006	Wing Nut M6
5	2	RP.006.000I	INOX Washer D.6
6	2	OR1560178	D.15.6 x 1.78 O-Ring
7	1	02.148.000	Regulator Disc
8	2	TE.006.030I	INOX M6 x 30 Bolt
9	1	02.147.000	Regulator Body
10	1	OR1242178	O-Ring D.12.37 x 2.62