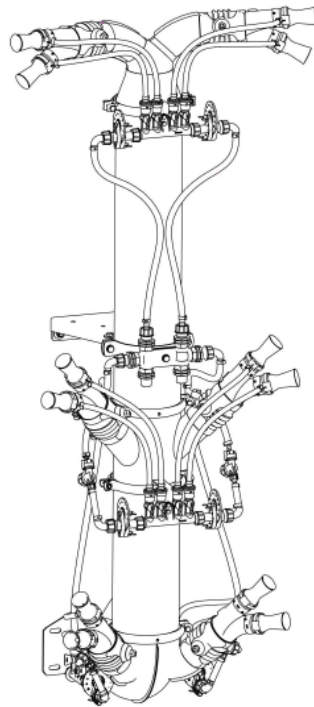




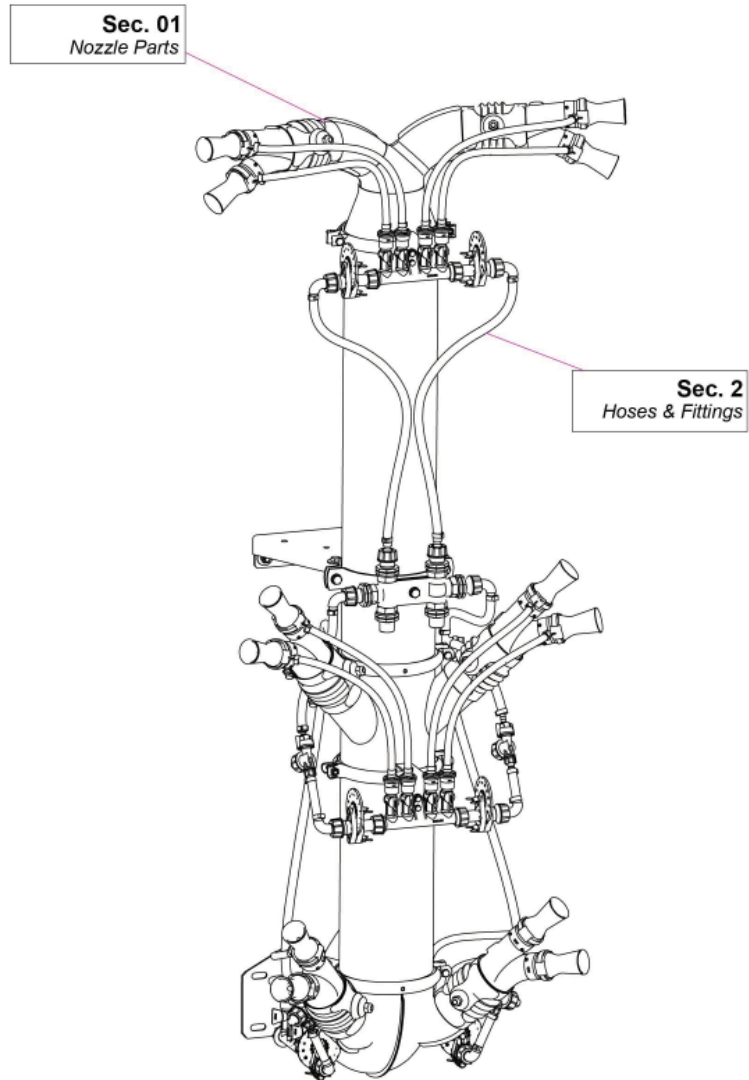
VENTURI AIR SPRAYERS RASPBERRY HEAD



**Parts Manual For
T6M2D45P12 Head
For P45 Sprayers**

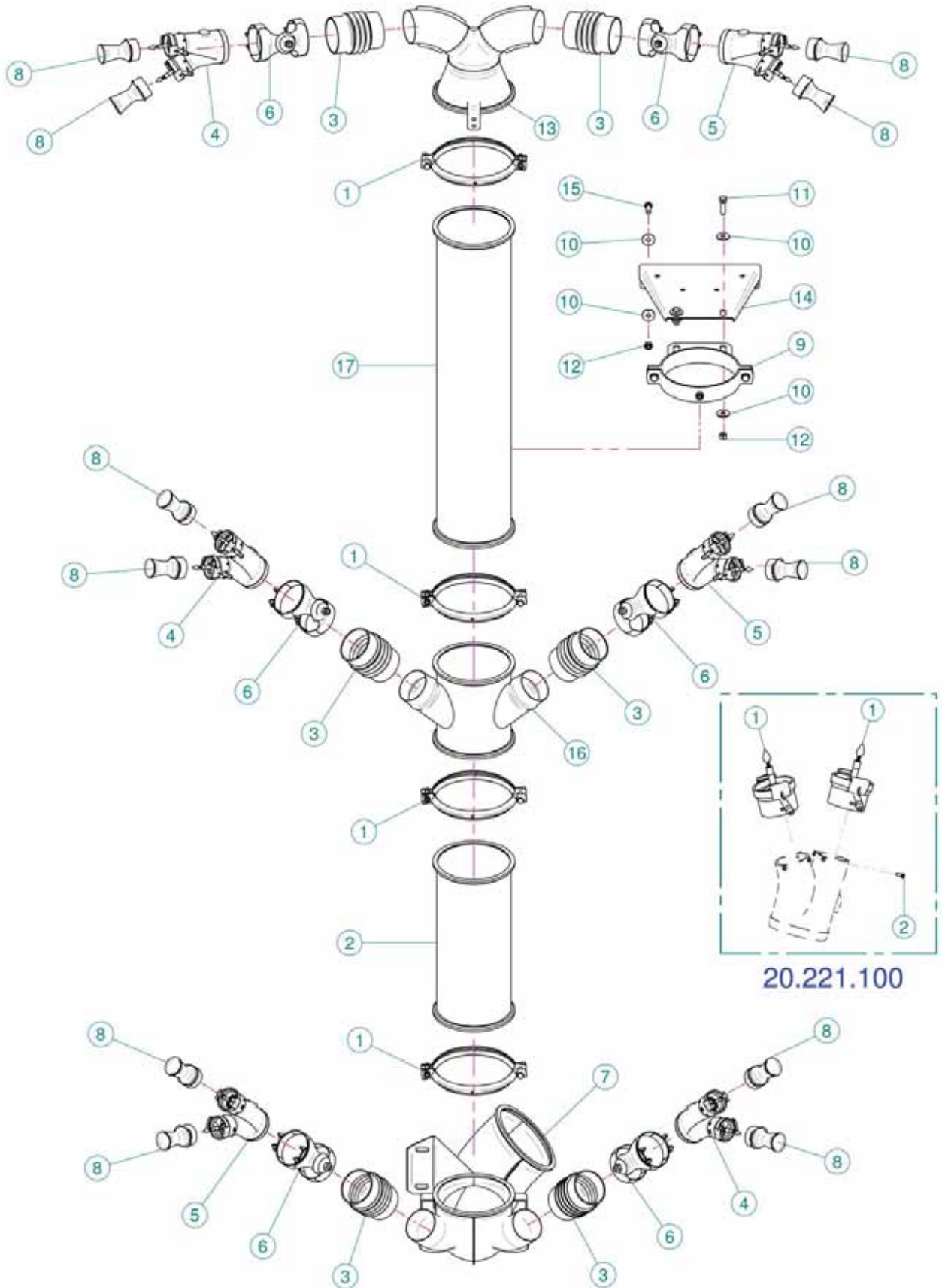
July 2013

TABLE OF CONTENTS



<u>SECTION</u>	<u>DESCRIPTION</u>	<u>PAGE</u>
1	Nozzle Parts	1-2
2	Hoses & Fittings	3-5
3	Manifold & Shut-Off Valves	6
4	Dial-A-Rate	7

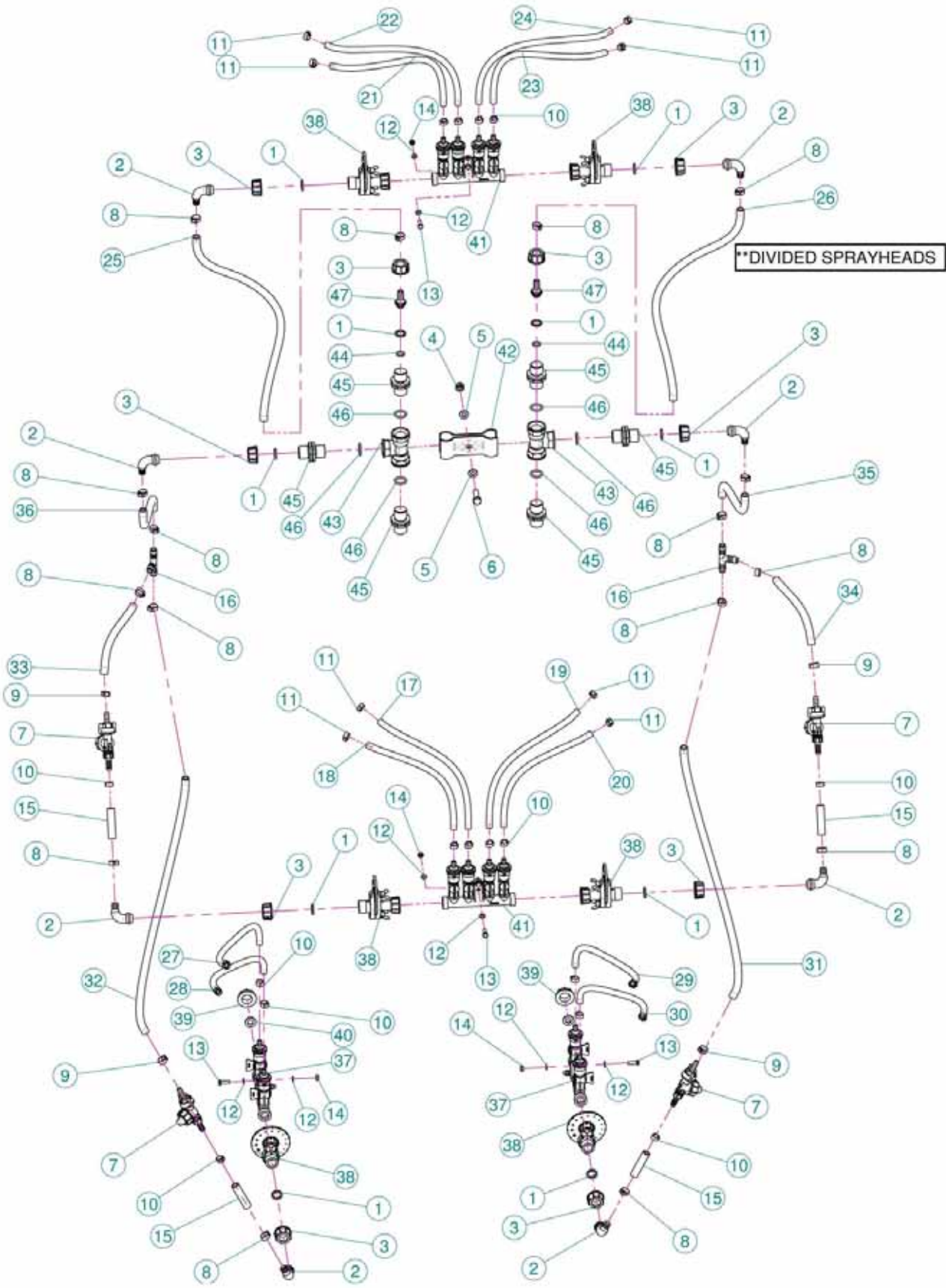
Sec. 01 - NOZZLE PARTS



Sec. 01 - NOZZLE PARTS

<u>REF.</u>	<u>QTY.</u>	<u>PART NO.</u>	<u>DESCRIPTION</u>
1	4	05.616.000	Pipe Clamp D.175
2	1	02.187.000	Extension D.175 x 400
3	6	02.020.000	Flexible Sleeve D.80 x 115
4	3	20.221.100SX	Two Outlets Body
5	3	20.221.100DX	Two Outlets Body
6	6	02.046.000	Clamp D.85
7	1	04.882.300	Lower Bend
8	12	00.006.050	Nozzle 6/50
9	1	20.503.000	D.175 Clamp Heads Fixing
10	8	RP.010.030	Washer D.10 x 30 mm
11	2	TE.010.035T	Screw TE 10 x 35
12	4	D0.10.5587G	Nut M10
13	1	20.935.000	Body From D.175 to D.120 With 2 Outlets D.80
14	1	40.208.001	Fixing Bracket
15	2	TE.010.030T	Screw TE M10 x 30
16	1	20.890.400	Extension D.175 L=200 With 2 Outlets D.80
17	1	02.189.000	Extension D.175 x 800
20.221.100			
1	2	20.016.01C	Venturi Body
2	8	TA.03.5.09.5I	Self Threading D.3.5 x 9.5

Sec. 02 - HOSES & FITTINGS



Sec. 02 - HOSES & FITTINGS

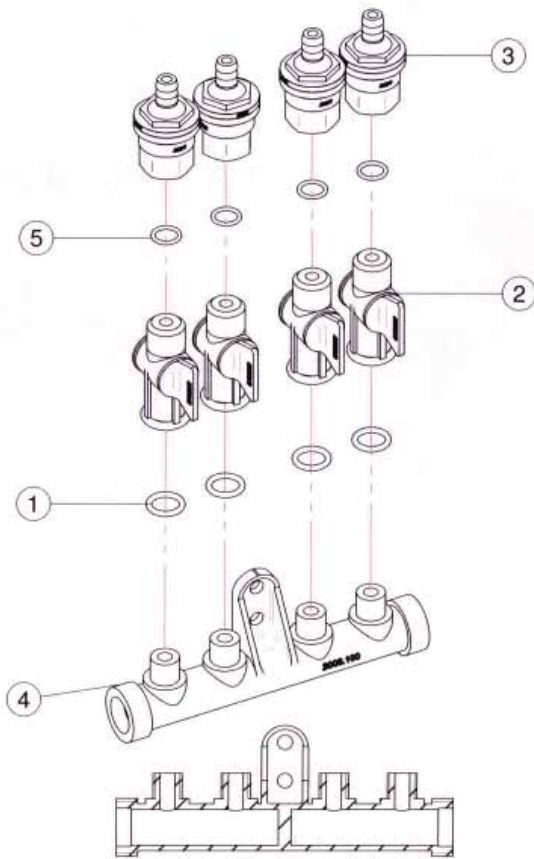
<u>REF.</u>	<u>QTY.</u>	<u>PART NO.</u>	<u>DESCRIPTION</u>
1	10	02.349.000	17 x 23 x 3 Flat Gasket
2	8	00.055.046R	Curved Union With R.H. D.14
3	10	00.055.045	3/4" Fly Nut
4	1	DA.010.0BG	Self Locking Nut M10
5	2	RP.010.000	Washer D.10
6	1	TE.010.035T	Screw TE 10 x 35
7	4	00.226.05C	Complete Anti-Drip
8	16	FC.016.5.018	Hose Clamp 16.5 - 18
9	4	FC.015.5.017	Hose Clamp
10	16	FC.013.5.015	Hose Clamp
11	12	FC.012.5.014	Hose Clamp
12	16	RP.006.000	Washer D.6
13	8	TE.006.020T	Screw TE M6 x 20
14	8	D0.06.5588G	Nut M6
15	As Req'd	02.213.000	Hose D.10 x 16 L=70 (Per Foot)
16	2	20.885.000	T Union D.13 - 13 - 13
17	As Req'd	02.217.000	Hose D.8 x 13 L=32 cm (Per Foot)
18	As Req'd	02.217.000	Hose D.8 x 13 L=28 cm (Per Foot)
19	As Req'd	02.217.000	Hose D.8 x 13 L=32 cm (Per Foot)
20	As Req'd	02.217.000	Hose D.8 x 13 L=28 cm (Per Foot)
21	As Req'd	02.217.000	Hose D.8 x 13 L=28 cm (Per Foot)
22	As Req'd	02.217.000	Hose D.8 x 13 L=32 cm (Per Foot)
23	As Req'd	02.217.000	Hose D.8 x 13 L=28 cm (Per Foot)
24	As Req'd	02.217.000	Hose D.8 x 13 L=32 cm (Per Foot)
25	As Req'd	02.213.000	Hose D.10 x 16 L=100 cm (Per Foot)
26	As Req'd	02.213.000	Hose D.10 x 16 L=100 cm (Per Foot)
27	As Req'd	02.217.000	Hose D.8 x 13 L=42 cm (Per Foot)
28	As Req'd	02.217.000	Hose D.8 x 13 L=34 cm (Per Foot)
29	As Req'd	02.217.000	Hose D.8 x 13 L=42 cm (Per Foot)
30	As Req'd	02.217.000	Hose D.8 x 13 L=34 cm (Per Foot)
31	As Req'd	02.213.000	Hose D.10 x 16 L=55 cm (Per Foot)
32	As Req'd	02.213.000	Hose D.10 x 16 L=55 cm (Per Foot)
33	As Req'd	02.213.000	Hose D.10 x 16 L=10 cm (Per Foot)
34	As Req'd	02.213.000	Hose D.10 x 16 L=10 cm (Per Foot)
35	As Req'd	02.213.000	Hose D.10 x 16 L=35 cm (Per Foot)
36	As Req'd	02.213.000	Hose D.10 x 16 L=35 cm (Per Foot)
37	2	02.008.302C	2 Taps Liquid Manifold
38	6	02.150.000	Rotation Disc Regulation
39	2	02.182.000	Female 3/4" Cap
40	2	02.030.010	Gasket

Sec. 02 - HOSES & FITTINGS

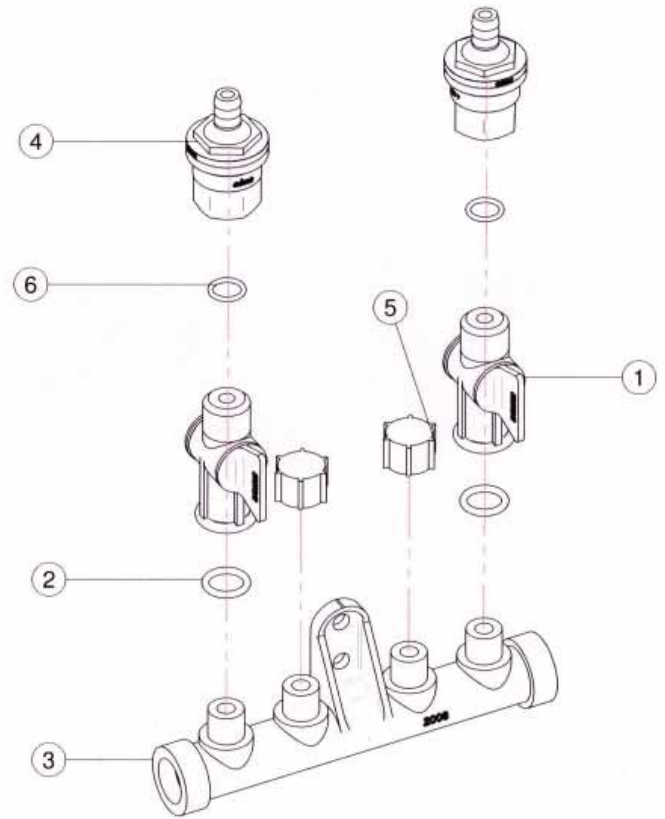
<u>REF.</u>	<u>QTY.</u>	<u>PART NO.</u>	<u>DESCRIPTION</u>
41	2	02.008.404C	4 Taps Liquid Manifold
42	1	02.999.000	T Union Fixing Bracket
43	2	02.396.000	Union 3/4" - 3/4" - 3/4" F.
44	2	OR.000.117	13.1 x 18.34 x 2.62 O-Ring Gasket
45	6	02.380.000	Nipple 3/4"
46	6	OR.004.081	20.22 x 3.53 O-Ring Gasket
47	2	02.122.000	D.13 Union

Sec. 03 - MANIFOLD & SHUT-OFF VALVES

CENTER & UPPER SECTION



LOWER SECTION



REF. QTY. PART NO.

CENTER & UPPER SECTION - 02.008.404C

1	4	OR.000.117
2	4	20.202.100
3	4	00.227.01C
4	1	02.008.100
5	4	OR.002.043

DESCRIPTION

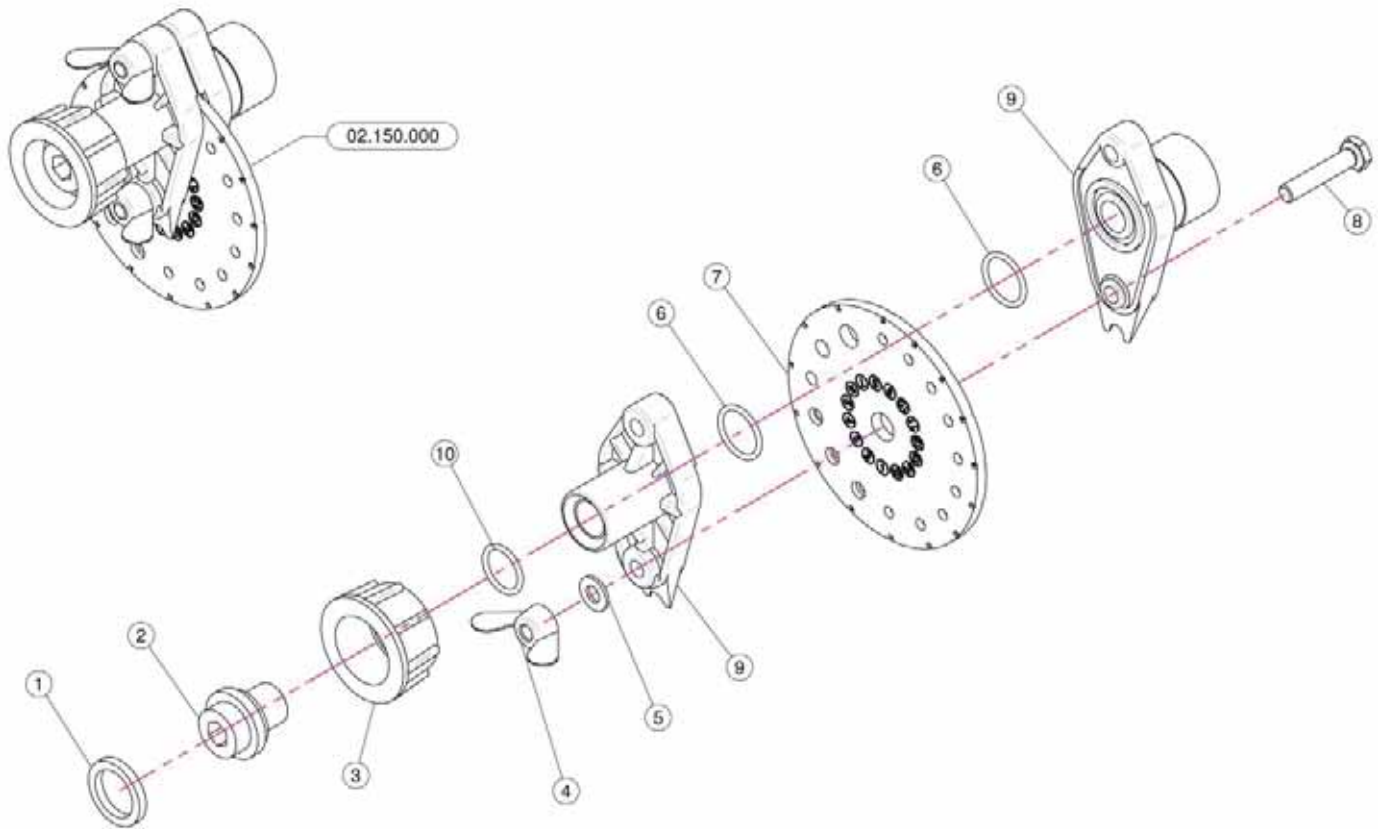
13.1 x 18.34 x 2.62 O-Ring Gasket
 Tap Assembly
 Anti-Drip Valve
 Divided Sprayheads Liquid Manifold
 10.82 x 14.38 x 1.78 Nbr 70 O-Ring Gasket

LOWER SECTION - 02.008.302C

1	2	20.202.100
2	2	OR.000.117
3	1	02.008.000
4	2	00.227.01C
5	2	02.013.000
6	2	OR.002.043

Tap Assembly
 13.1 x 18.34 x 2.62 O-Ring Gasket
 Sprayheads Liquid Manifold
 Antidrip Valve
 Plug D 1/4"
 10.82 x 14.38 x 1.78 Nbr. 70 O-Ring Gasket

Sec. 04 - DIAL-A-RATE



<u>REF.</u>	<u>QTY.</u>	<u>PART NO.</u>	<u>DESCRIPTION</u>
1	1	02.349.000	17 x 23 x 3 Flat Gasket
2	1	02.117.000	Adaptor Nipple
3	1	2002030	3/4" Fly Nut
4	2	DF.OTT.006	Wing Nut M6
5	2	RP.006.000I	INOX Washer D.6
6	2	OR1560178	D.15.6 x 1.78 O-Ring
7	1	02.148.000	Regulator Disc
8	2	TE.006.030I	INOX M6 x 30 Bolt
9	1	02.147.000	Regulator Body
10	1	OR1242178	O-Ring D.12.37 x 2.62