



# **VENTURI AIR SPRAYERS RASPBERRY HEAD**

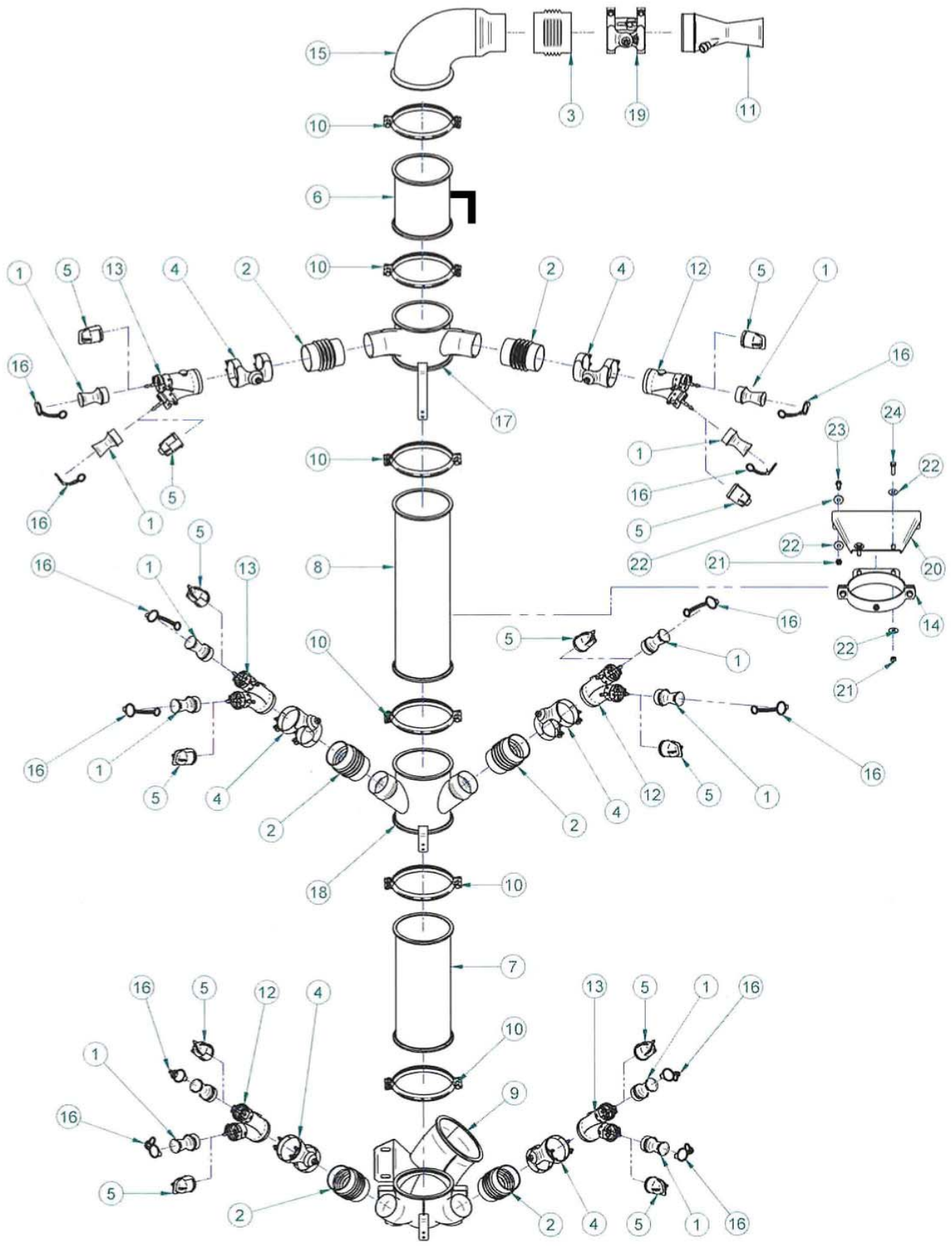
**Parts Manual For  
T.6M+1C.42P.12-HH Head  
For P42 Sprayers**

**September 2015**

# TABLE OF CONTENTS

<u>SECTION</u>	<u>DESCRIPTION .....</u>	<u>PAGE</u>
1	Nozzle Parts .....	1-2
2	Hoses & Fittings.....	3-5
3	Manifold & Shut-Off Valves .....	6
4	Dial-A-Rate .....	7

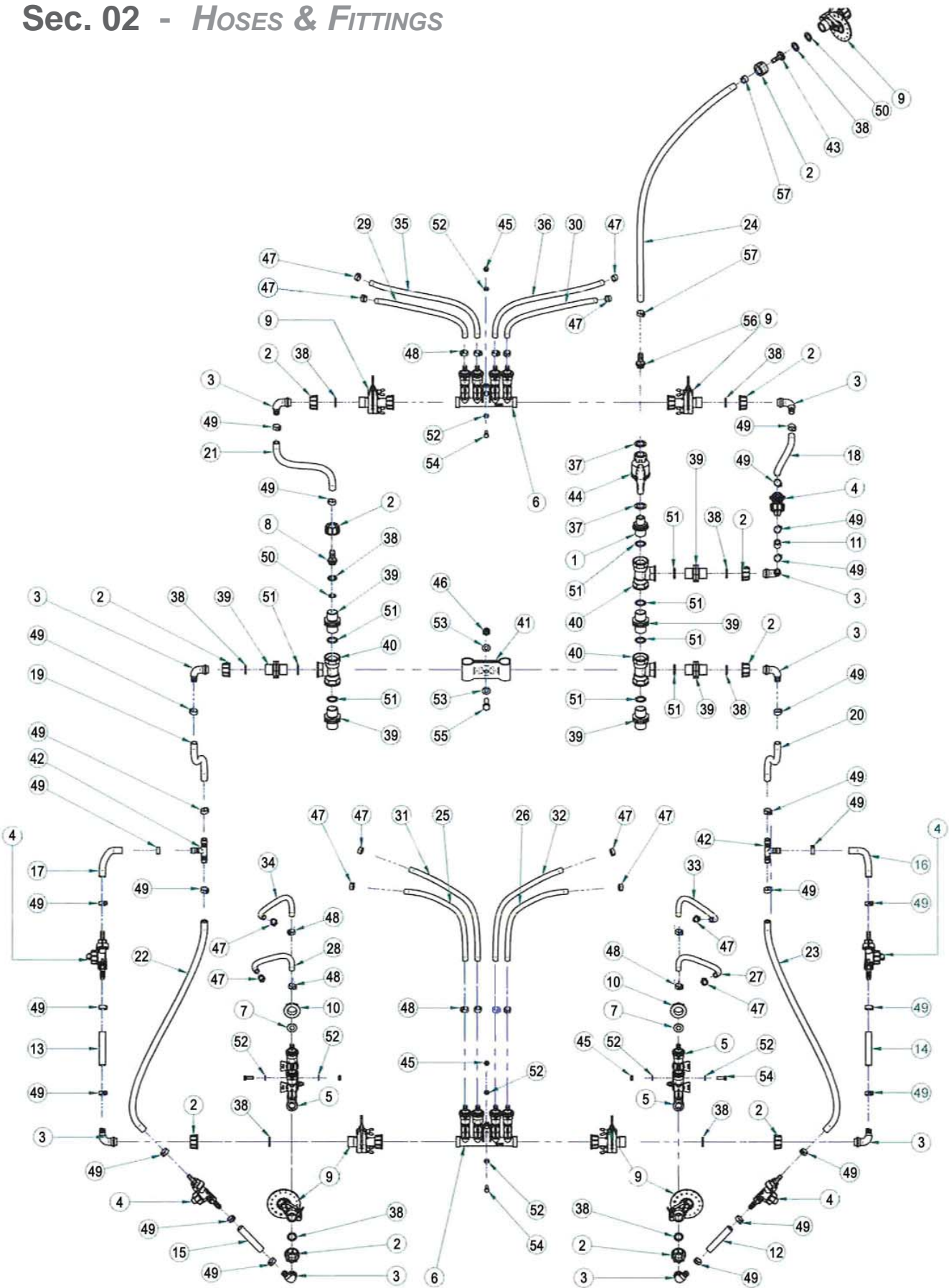
# Sec. 01 - NOZZLE PARTS



## Sec. 01 - NOZZLE PARTS

<u>REF.</u>	<u>QTY.</u>	<u>PART NO.</u>	<u>DESCRIPTION</u>
1	12	00.004.5.50	Nozzle 4.5/50
2	6	02.020.000	Flexible Sleeve
3	1	02.021.000	Flexible Sleeve
4	6	05.046.000	Clamp Ø 85
5	12	02.127.000	Cap Nozzle Plug
6	1	02.186.000	Extension Ø 175 x 200
7	1	02.187.000	Extension D.175 x 400
8	1	02.188.000	Extension Ø 175 x 600
9	1	04.882.000	Lower Bend D.175
10	6	05.616.000	Pipe Clamp Ø 175
11	1	10.022.5.120	Nozzle 22.5 x 120
12	3	20.221.100DX	Two Outlets Body
13	3	20.221.100SX	Two Outlets Body
14	1	20.503.000	Ø 175 Clamp Heads Fixing
15	1	20.558.120	Elbos Ø 175 With R.H. Ø 120
16	12	20.697.000	Nozzle Stop
17	1	20.890.300	Extension Ø 175 L=150 With 2 Outlets Ø 80
18	1	20.890.400	Extension Ø 175 L=210 With 2 Outlets Ø 80
19	1	21.080.000	Right Clamp Ø 127
20	1	40.208.001	Fixing Bracket
21	4	D0.10.5587G	Nut M10
22	8	RP.010.030	Washer Ø 10 x 30 mm
23	2	TE.010.030T	Screw TE UNI 5739-65 M10 x 30-8.8
24	2	TE.010.035T	Screw TE UNI 5739-65 M10 x 35-8.8

# Sec. 02 - HOSES & FITTINGS



## Sec. 02 - HOSES & FITTINGS

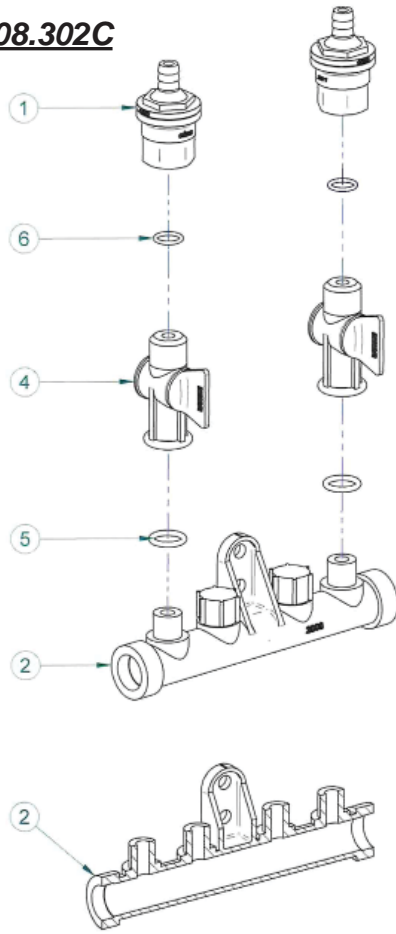
<u>REF.</u>	<u>QTY.</u>	<u>PART NO.</u>	<u>DESCRIPTION</u>
1	1	00.055.044	Nipple 1/2" - 3/4" GAS
2	10	00.055.045	3/4" Fly Nut
3	9	00.055.046R	Curved Union With R.H. D.14
4	5	00.226.05C	Complete Antidrop (0.3 Bar)
5	2	02.008.302C	2 Taps Liquid Manifold
6	2	02.008.404C	4 Taps Liquid Manifold
7	2	02.030.010	Gasket
8	1	02.122.000	Hosetail D.13
9	7	02.150.000	Rotation Disk Regulation
10	2	02.182.000	Female 3/4" Cap
11	1	02.213.007	Hose D.10 L=70
12	1	02.213.007	Hose D.10 L=70
13	1	02.213.007	Hose D.10 L=70
14	1	02.213.007	Hose D.10 L=70
15	1	02.213.007	Hose D.10 L=70
16	1	02.213.007	Hose D.10 L=70
17	1	02.213.007	Hose D.10 L=70
18	1	02.213.015	Hose D.10 L=150
19	1	02.213.035	Hose D.10 L=350
20	1	02.213.035	Hose D.10 L=350
21	1	02.213.040	Hose D.10 L=400
22	1	02.213.047	Hose D.10 L=550
23	1	02.213.047	Hose D.10 L=470
24	1	02.211.000	Hose D.16 L=635
25	1	02.217.029	Hose Ø8 x 13 L=290
26	1	02.217.029	Hose Ø8 x 13 L=290
27	1	02.217.029	Hose Ø8 x 13 L=290
28	1	02.217.029	Hose Ø8 x 13 L=290
29	1	02.217.033	Hose Ø8 x 13 L=330
30	1	02.217.033	Hose Ø8 x 13 L=330
31	1	02.217.035	Hose Ø8 x 13 L=350
32	1	02.217.035	Hose Ø8 x 13 L=350
33	1	02.217.039	Hose Ø8 x 13 L=390
34	1	02.217.039	Hose Ø8 x 13 L=390
35	1	02.217.040	Hose Ø8 x 13 L=400
36	1	02.217.040	Hose Ø8 x 13 L=400
37	2	02.265.000	Plane Gasket Ø 20/30 x 2.5
38	11	02.349.000	17 x 23 x 3 Flat Gasket
39	7	02.380.000	Nipple 3/4"
40	3	02.396.000	Union 3/4" - 3/4" - 3/4" F.

## Sec. 02 - HOSES & FITTINGS

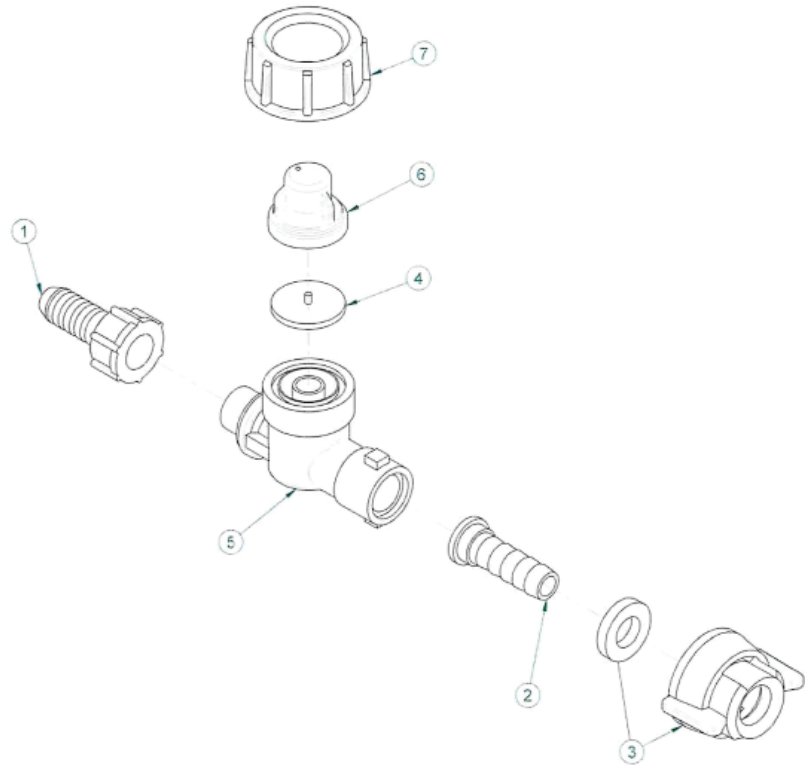
<u>REF.</u>	<u>QTY.</u>	<u>PART NO.</u>	<u>DESCRIPTION</u>
41	1	02.999.000	T Union Fixing Bracket
42	2	02.885.000	T Union Ø13 - 13 - 13
43	1	02.002.000	Hosetail D.18
44	1	21.147.000	Ways Valve 1/2" F/F
45	8	D0.06.5588G	Nut M6
46	1	DA.010.0BG	Self Locking Nut M10
47	12	FC.012.5.014	Kobra Clamp
48	12	FC.013.5.015	Kobra Clamp
49	28	FC.016.5.018	Kobra Clamp
50	2	OR.000.117	13.1 x 18.34 x 2.62 O-Ring Gasket
51	9	OR.004.081	20.22 x 3.53 O-Ring Gasket
52	16	RP.006.000	Washer Ø 6
53	2	RP.010.000	Washer Ø 10
54	8	TE.006.020T	Screw TE UNI 5739-65 M6 x 20 - 8.8
55	1	TE.010.035T	Screw TE UNI 5739-65 M10 x 35 - 8.8
56	1	21.151.000	Hosetail D.16
57	2	FC.024.5.026	Clamp 24.5 x 26

## Sec. 03 - MANIFOLD & SHUT-OFF VALVES

### 02.008.302C



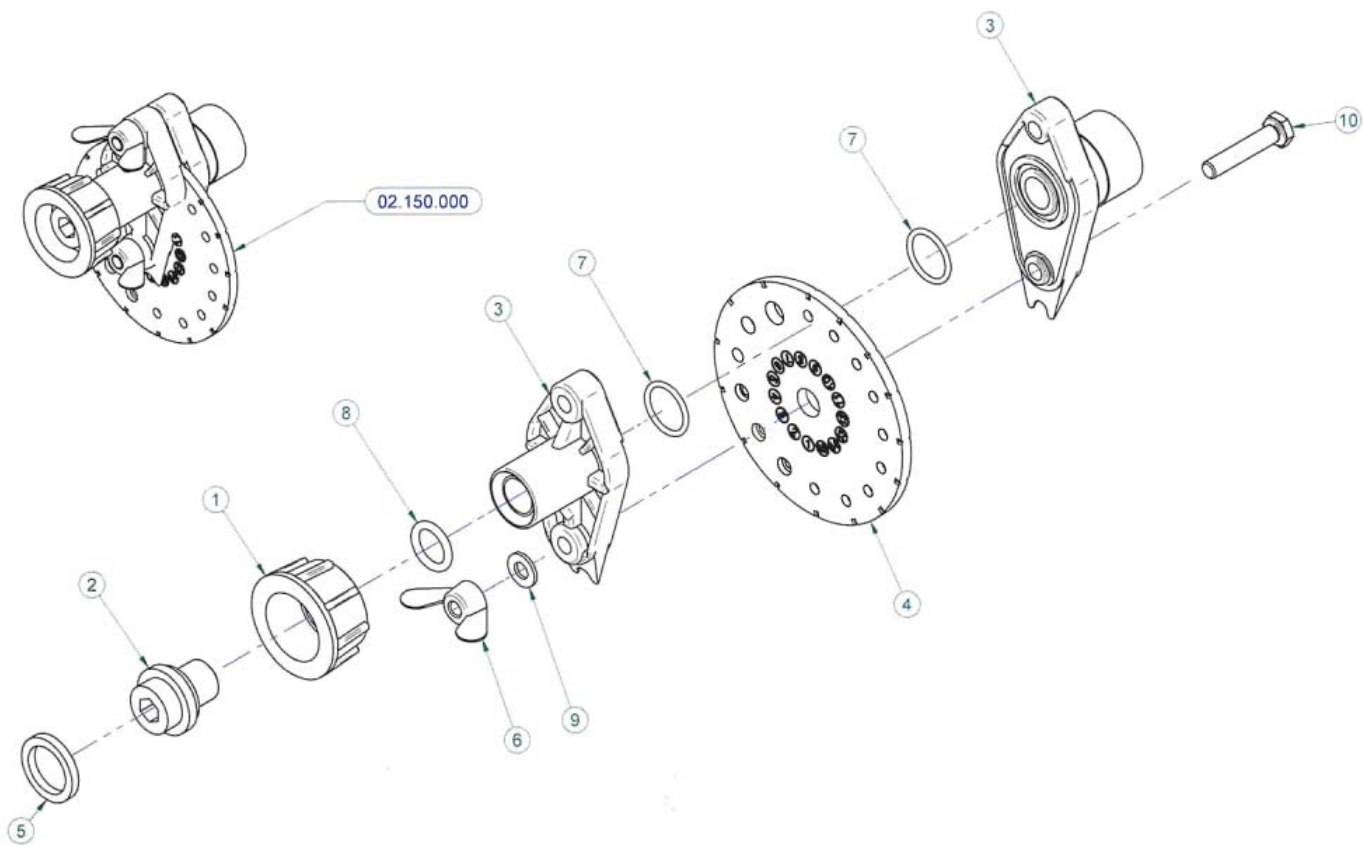
### 00.226.05C



<u>REF.</u>	<u>QTY.</u>	<u>PART NO.</u>	<u>DESCRIPTION</u>
<b>02.008.302C</b>			
1	2	00.227.01C	Antidrip Valve
2	1	02.008.000	Sprayheads Liquid Manifold
3	2	02.013.000	Plug G 1/4"
4	2	20.202.100	Tap Assembly
5	2	OR.000.117	13.1 x 18.34 x 2.62 O-Ring Gasket
6	2	OR.002.043	10.82 x 14.38 x 1.78 Nbr 70 O-Ring Gasket
<b>00.226.05C</b>			
1	1	02.007.011	Straight Union R.H. Ø 11
2	1	02.379.020	Straight Union R.H. 10
3	1	00.226.042	Fly Nut + Gasket
4	1	00.226.041.B	Gasket
5	1	00.226.041.A	Antidrop Body
6	1	00.226.041.C	Gasket
7	1	00.226.045	3/4" Fly Nut



## Sec. 04 - DIAL-A-RATE



<b>REF.</b>	<b>QTY.</b>	<b>PART NO.</b>	<b>DESCRIPTION</b>
1	1	00.055.045	3/4" Fly Nut
2	1	02.117.000	Adaptor Nipple
3	1	02.147.500	Regulator Half Body
4	1	02.148.000	Regulator Disc
5	1	02.349.000	17 x 23 x 3 Flat Gasket
6	2	DF.OTT.006	Wing Nut M6
7	2	OR.002.062	Ø 15.6 x 1.78 OR
8	1	OR.003.050	O-Ring Ø 12.37 x 2.62
9	2	RP.006.000I	INOX Washer Ø 6
10	2	TE.006.030I	INOX Screw TE UNI 5737-65M6 x 30