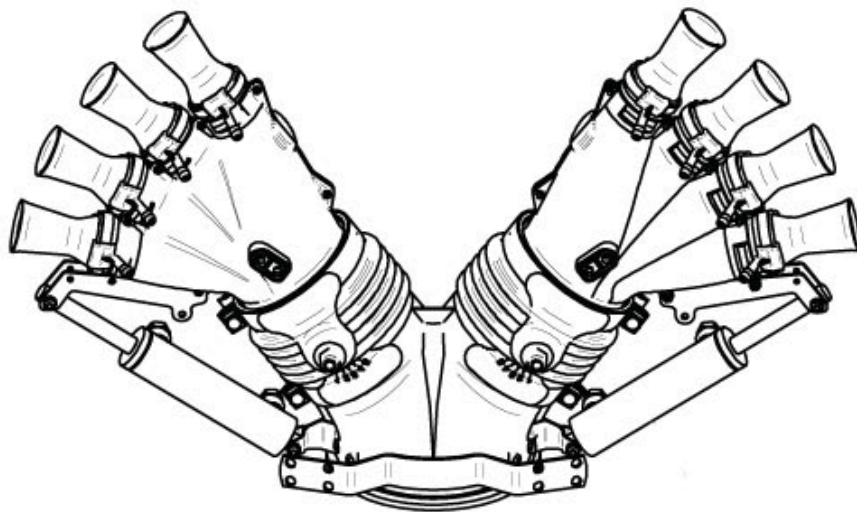




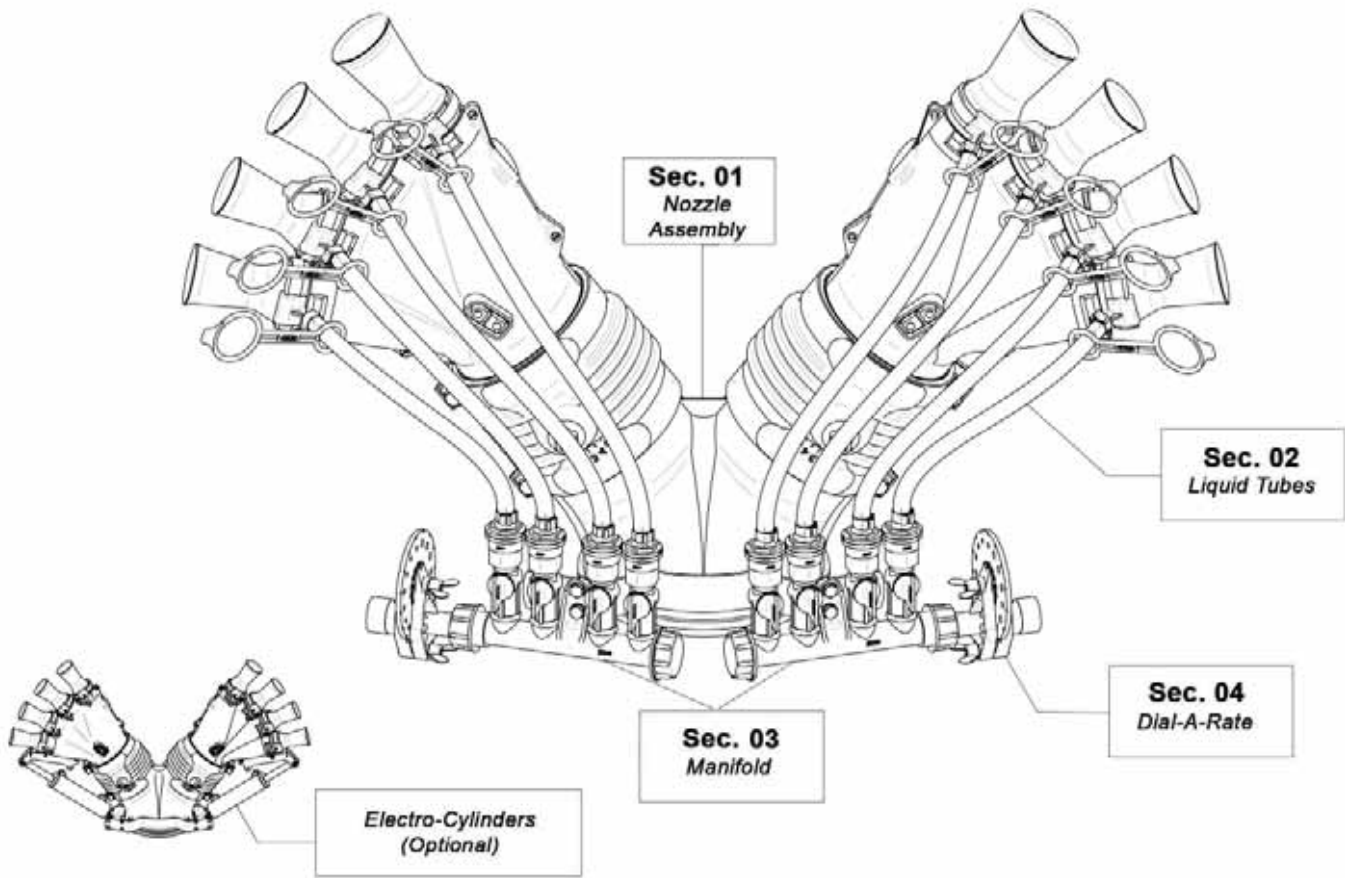
# **VENTURI AIR SPRAYERS VINEYARD HEAD**



**Parts Manual For  
T4+44212X Head With REA4 Brackets,  
Electro-Cylinder & Control Box  
For P42 Sprayers**

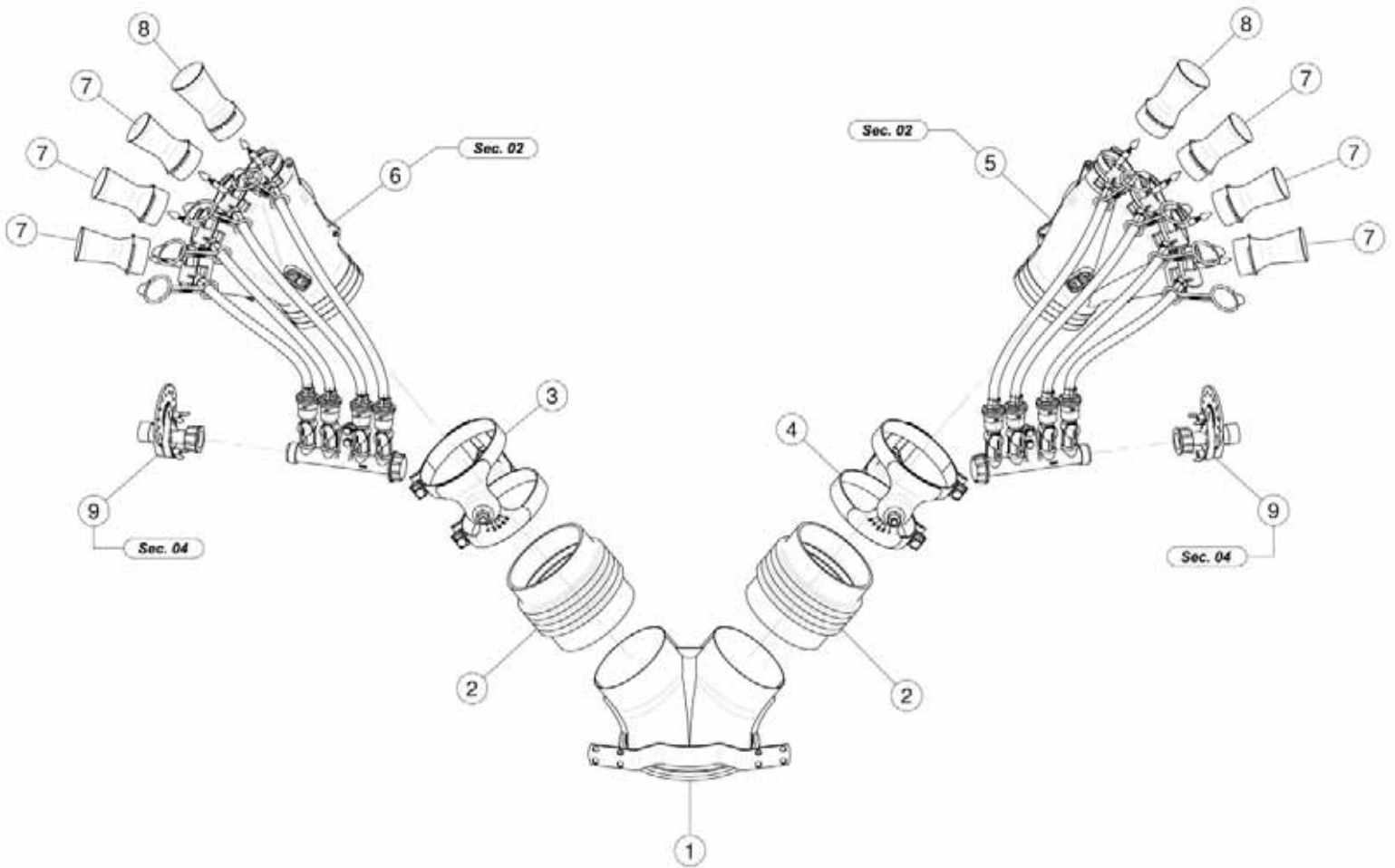
**July 2013**

# TABLE OF CONTENTS



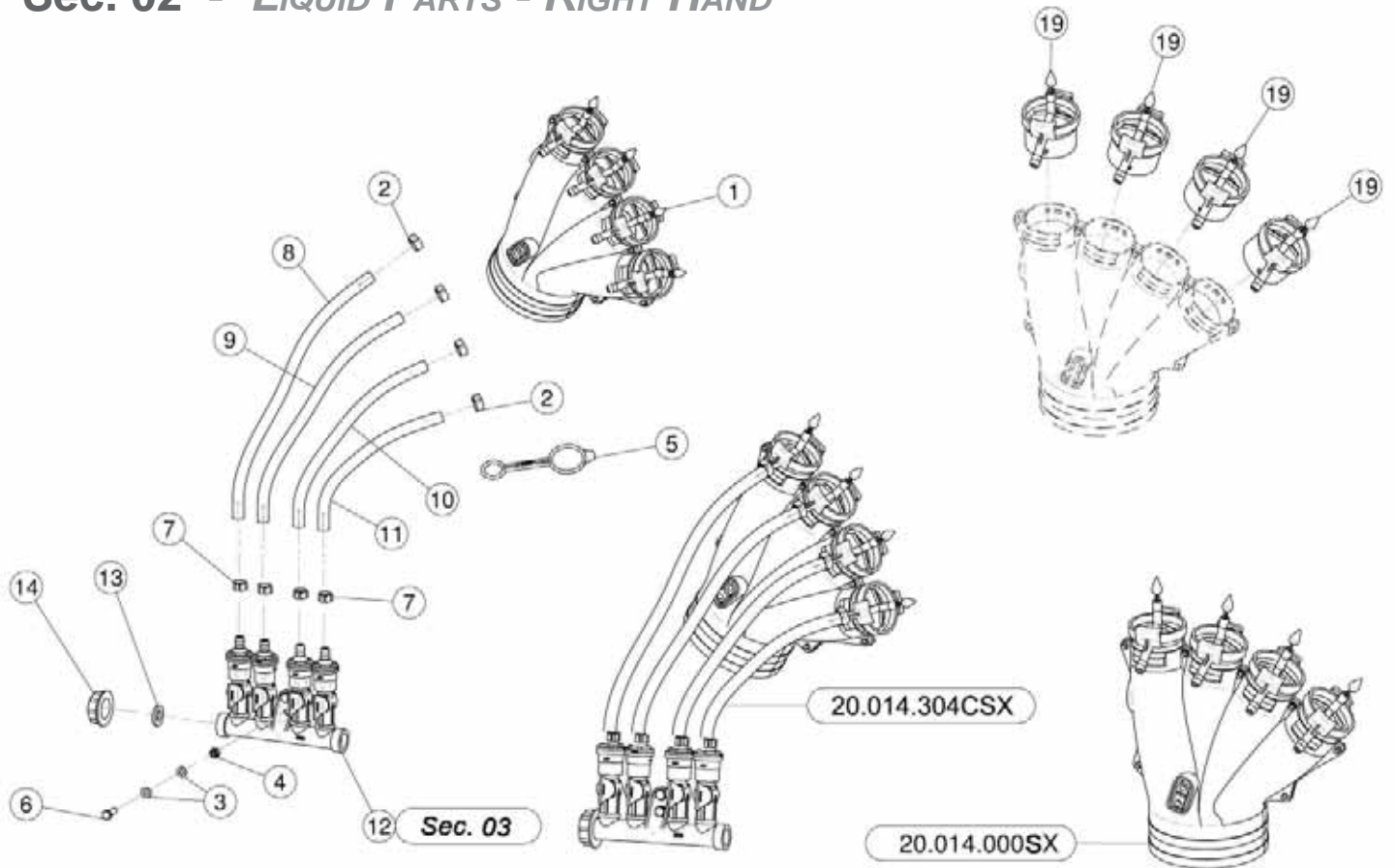
<u>SECTION</u>	<u>DESCRIPTION</u> .....	<u>PAGE</u>
1	Nozzle Parts .....	1
2	Liquid Parts - Right Hand.....	2
	Liquid Parts - Left Hand .....	3
3	REA4 Brackets, Cylinder & Control Box .....	4
4	Manifold & Shut-Off Valves.....	5
5	Dial-A-Rate .....	6

# Sec. 01 - NOZZLE PARTS



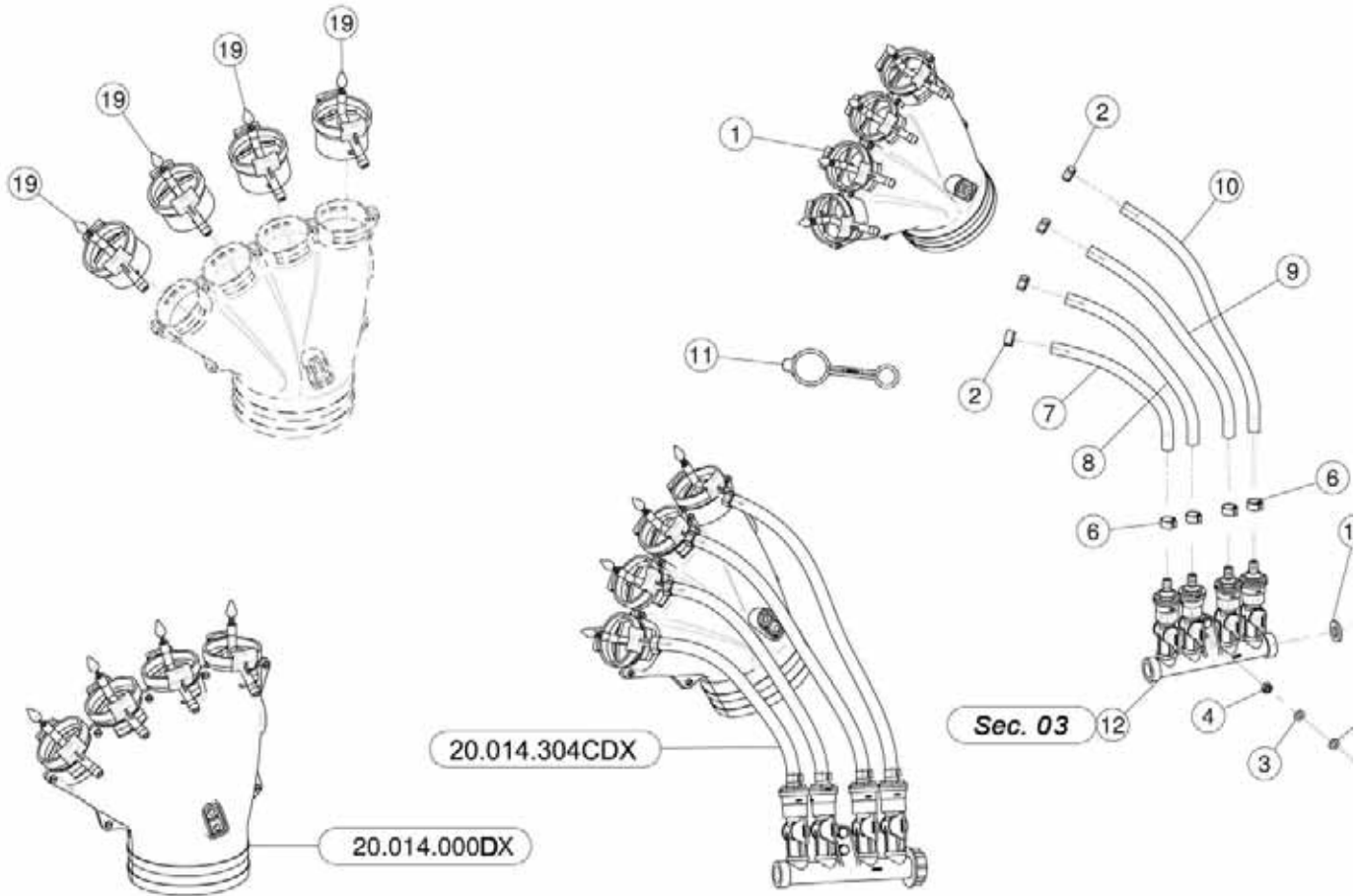
<u>REF.</u>	<u>QTY.</u>	<u>PART NO.</u>	<u>DESCRIPTION</u>
1	1	02.739.000	Body Head
2	2	02.021.000	Flexible Sleeve
3	1	21.081.000	Left Clamp Ø127
4	1	21.080.000	Right Clamp Ø127
5	1	20.014.04CSX	4 Outlets With Distributor
6	1	20.014.04CDX	4 Outlets With Distributor
7	6	00.006.050	Nozzle 6/50
8	2	00.008.050	Nozzle 8/50
9	2	02.150.000	RotationDisc Regulation

## Sec. 02 - LIQUID PARTS - RIGHT HAND



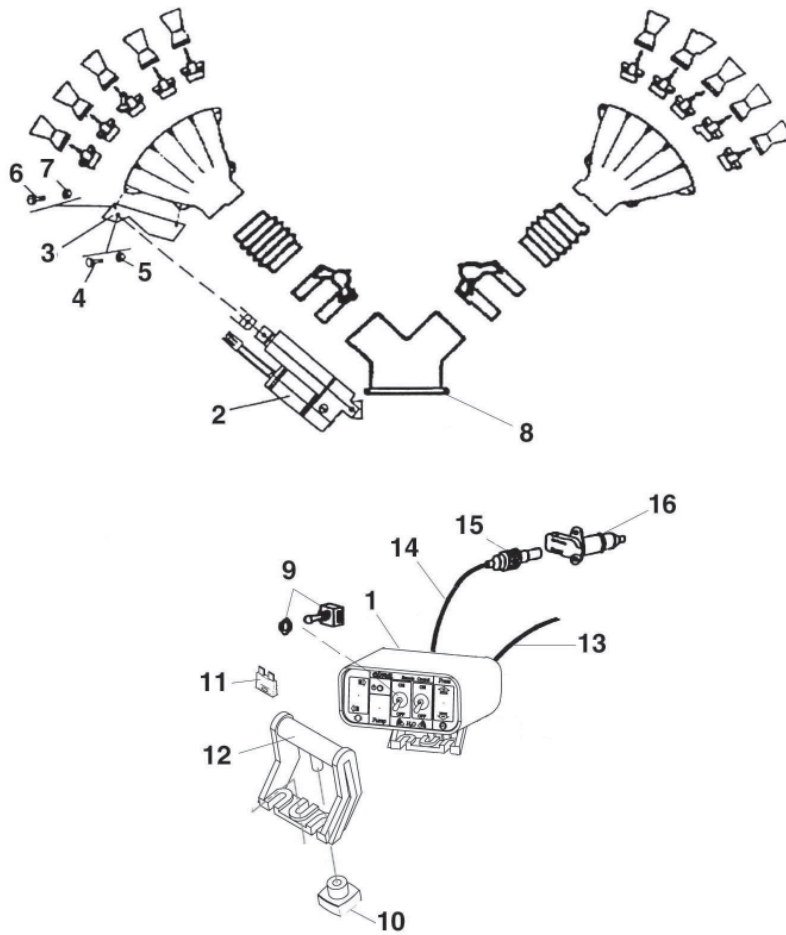
<u>REF.</u>	<u>QTY.</u>	<u>PART NO.</u>	<u>DESCRIPTION</u>
<b>20.014.304CSX</b>			
1	1	20.014.000SX	Four Outlets R.H.
2	4	FC.012.5.014	Hose Clamp
3	4	RP.006.000	Washer D.6
4	2	D0.06.5588G	Nut M6
5	4	20.697.000	Nozzle Stop
6	2	TE.006.020T	Screw TE M6 x 20
7	4	FC.013.5.015	Hose Clamp
8	1	02.217.034	Hose D.8 x 13 L=340
9	1	02.217.033	Hose D.8 x 13 L=330
10	1	02.217.028	Hose D.8 x 13 L=280
11	1	02.217.024	Hose D.8 x 13 L=240
12	1	02.008.304C	4 Taps Liquid Manifold
13	1	02.030.010	Gasket
14	1	02.182.000	Female 3/4" Cap
<b>20.014.000SX</b>			
19	4	20.016.01C	Tube With Liquid Outlet

## Sec. 02 - LIQUID PARTS - LEFT HAND



<u>REF.</u>	<u>QTY.</u>	<u>PART NO.</u>	<u>DESCRIPTION</u>
<b>20.014.304CDX</b>			
1	1	20.014.000DX	Four Outlets L.H.
2	4	FC.012.5.014	Hose Clamp
3	4	RP.006.000	Washer D.6
4	2	D0.06.5588G	Nut M6
5	2	TE.006.020T	Screw TE M6 x 20
6	4	FC.013.5.015	Hose Clamp
7	1	02.217.024	Hose D.8 x 13 L=240
8	1	02.217.028	Hose D.8 x 13 L=280
9	1	02.217.033	Hose D.8 x 13 L=330
10	1	02.217.034	Hose D.8 x 13 L=340
11	4	20.697.000	Nozzle Stop
12	1	02.008.304C	4 Taps Liquid Manifold
13	1	02.182.000	Female 3/4" Cap
14	1	02.030.010	Gasket
<b>20.014.000DX</b>			
19	4	20.016.01C	Tube With Liquid Outlet

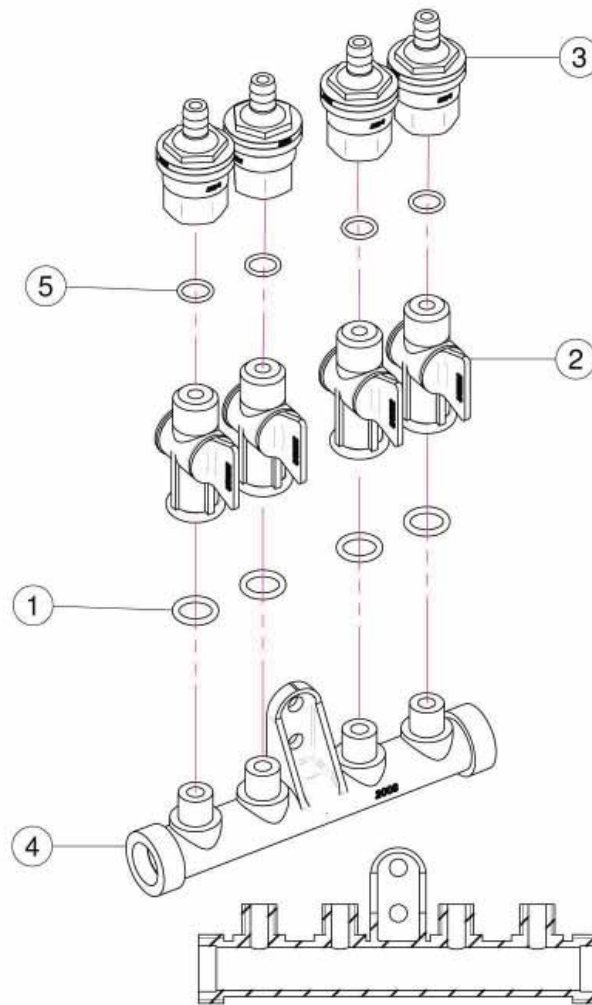
## Sec. 03 - REA4 BRACKETS, CYLINDER & CONTROL BOX



<u>REF.</u>	<u>QTY.</u>	<u>PART NO.</u>	<u>DESCRIPTION</u>
1	1	910208-REA4	Control Box With Harness
2	2	9302-448-002	Electric Cylinder
3	4	20.647.002	Bracket
4	2	MBHC06030	Bolt M6 x 30
5	2	MNNC06	Lock Nut M6
6	4	SMSF-6012	Slotted Screw 6 - 32 x 1 - 1/2
7	4	NIF-6Z	Nut 6 - 32
8	1	KIT.E.2M.G01	Y Body With Ref. #3, 4, & 5
9	2	275.709A	Center-Off Switch, Electric Cylinder
10	1	21.030.003	Fixing Knob
11	2	21.030.004	Fuse 10A
12	2	21.030.002	Fixing Bracket
13	1	02.400.375-REA4	Cable D.1 x 4 L = 3750
14	1	02.401.182	Cable D.1 x 2 L = 1820
15	1	BL-400554	Plug
16	1	905049	Socket

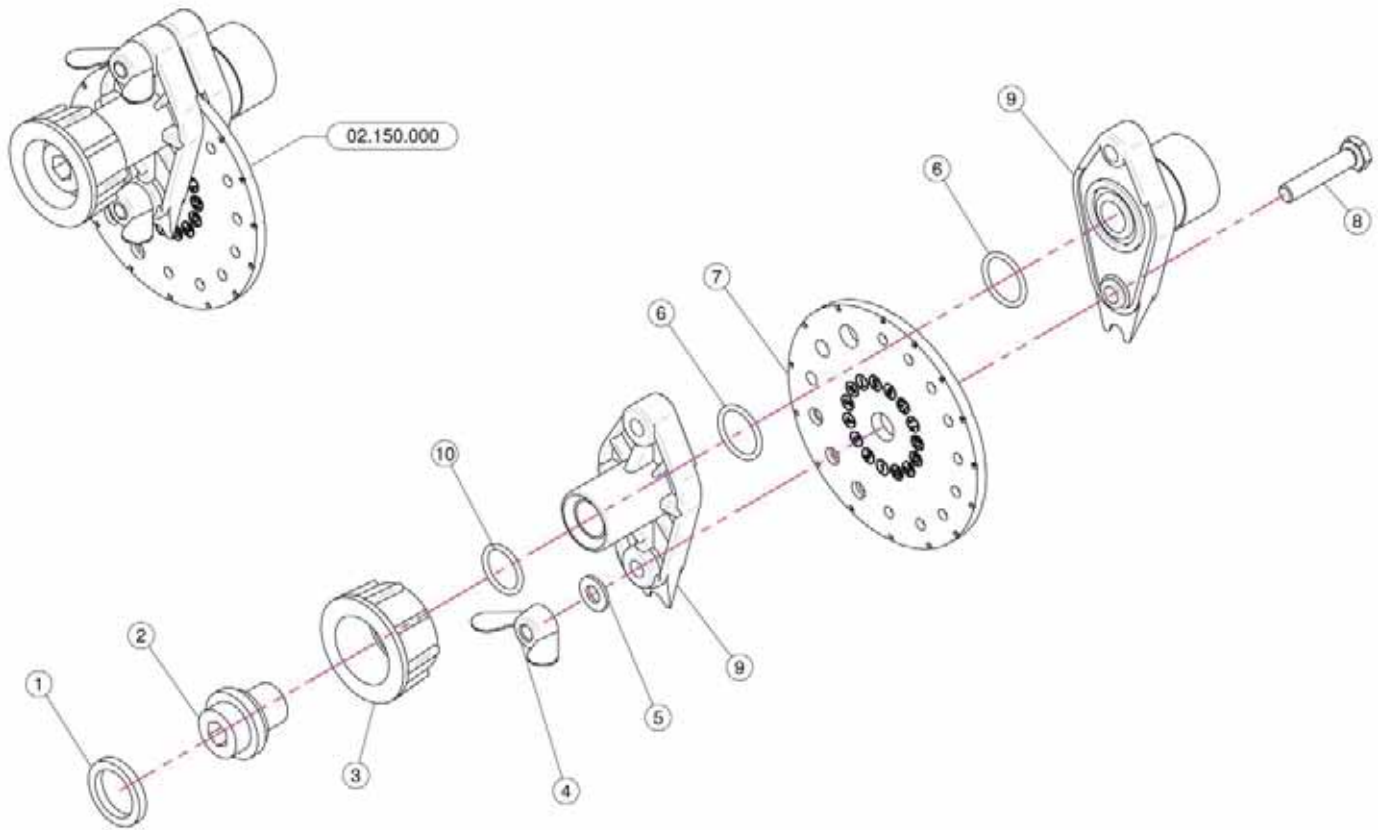


## Sec. 04 - MANIFOLD & SHUT-OFF VALVES



<u>REF.</u>	<u>QTY.</u>	<u>PART NO.</u>	<u>DESCRIPTION</u>
		<b>02.008.304C</b>	<b>Complete Assembly</b>
1	4	OR.000.117	13.1 x 18.34 x 2.62 O-Ring Gasket
2	4	20.202.100	Tap Assembly
3	4	00.227.01C	Anti-Drip Valve
4	1	02.008.000	Sprayheads Liquid Manifold
5	4	OR.002.043	10.82 x 14.38 x 1.78 Nbr 70 O-Ring Gasket

## Sec. 05 - DIAL-A-RATE



<u>REF.</u>	<u>QTY.</u>	<u>PART NO.</u>	<u>DESCRIPTION</u>
1	1	02.349.000	17 x 23 x 3 Flat Gasket
2	1	02.117.000	Adaptor Nipple
3	1	2002030	3/4" Fly Nut
4	2	DF.OTT.006	Wing Nut M6
5	2	RP.006.000I	INOX Washer D.6
6	2	OR1560178	D.15.6 x 1.78 O-Ring
7	1	02.148.000	Regulator Disc
8	2	TE.006.030I	INOX M6 x 30 Bolt
9	1	02.147.000	Regulator Body
10	1	OR1242178	O-Ring D.12.37 x 2.62