



# "S" TINE CULTIVATOR

**Operation, Service  
& Parts Manual For  
GST Series**

**February 2003**

# TABLE OF CONTENTS

Introduction/Assembly .....	1
General Maintenance .....	1
Operating Instructions .....	2
Operational Safety .....	3
Leveling Cultivator Frame .....	4
"S" Tine Mounting Assembly .....	5-6
"S" Tine Spacing .....	7-9
Limited Warranty .....	10

Date of Purchase: \_\_\_\_\_

Model Number: \_\_\_\_\_

Serial Number \_\_\_\_\_

# INTRODUCTION

*We welcome you as an owner of a Gearmore "S" Tine Cultivator. Please read the following instructions and refer to them when required:*

## ASSEMBLY INSTRUCTIONS

Using "S" tine spacing diagrams on pages 7 through 9, for corresponding machine:

1. Mark carrier frame for "S" tine center points.
2. Install "S" tines and clamp assembly.
3. Install sweeps or reversal points to "S" tine.

## GENERAL MAINTENANCE

Carefully follow all instructions as stated in this operation manual. This includes safety, assembly, operation and maintenance of the disc.

1. Check all bolts for tightness.
2. Replace damaged or worn parts immediately.
3. No lubrication is required.

# OPERATING INSTRUCTIONS



## READ THIS BEFORE OPERATING CULTIVATOR

Know your controls and how to stop tractor engine and cultivator quickly in an emergency. ***READ THIS OPERATOR'S MANUAL AND THE MANUAL PROVIDED WITH YOUR TRACTOR.***

To avoid accident or injury, ***do not*** allow anyone to operate this equipment without proper instructions. Any person who operates this equipment must be instructed in and be capable of the safe operation of the unit, its attachments and all controls.

***DO NOT*** allow children to operate machine, or adults to operate it without proper instructions.

Cultivator should run level when 3-point hitch is pre-adjusted as recommended and "S" tines are running between 3" to 5" deep. Depth of cut will vary depending on soil type, moisture content and weight of implement. Start cultivator operation at a slow, comfortable speed; increase tractor speed as clods reduce size. The types of soil, moisture, and weight on "S" tines will determine how many times you will have to go back and forth to get the kind of results you desire. For harder or dryer soils, additional weight may be added to improve penetration. Always operate cultivator with hitch hydraulic control lever in lowered "float" position. Always lift cultivator before turning at ends of the field.

***DO NOT*** make turns with the "S" tines in the ground. Doing this will cause "S" tine damage, which is not covered under warranty.

# OPERATIONAL SAFETY

- Read the operator's manual before using any equipment.
- **NEVER** allow children to operate tractor and cultivator or other power equipment.
- Know how to stop the tractor quickly in the event of an emergency.
- Instruct children and other persons to stay away from the tractor and cultivator when it is in operation.
- **ALWAYS** remove the key when leaving the tractor unattended.
- **NEVER** allow cultivator to be left in the "up" position when unattended.
- Give complete undivided attention to the job at hand.
- **NEVER** allow riders.
- Stop the engine when dismounting from the tractor.
- Use caution when operating the tractor on uneven terrain. Decrease speed when making turns. Use front and rear wheel weights as required.
- Add sufficient amount of weight to front end of tractor to prevent wheels from coming off the ground when starting suddenly with a load.

# LEVELING CULTIVATOR FRAME

For best results, when leveling your cultivator, position the tractor with cultivator on a level floor. Check tractor tire pressure and inflate equally from side to side. See your tractor operator's manual for correct tire inflation pressure.

## SIDE TO SIDE LEVELING

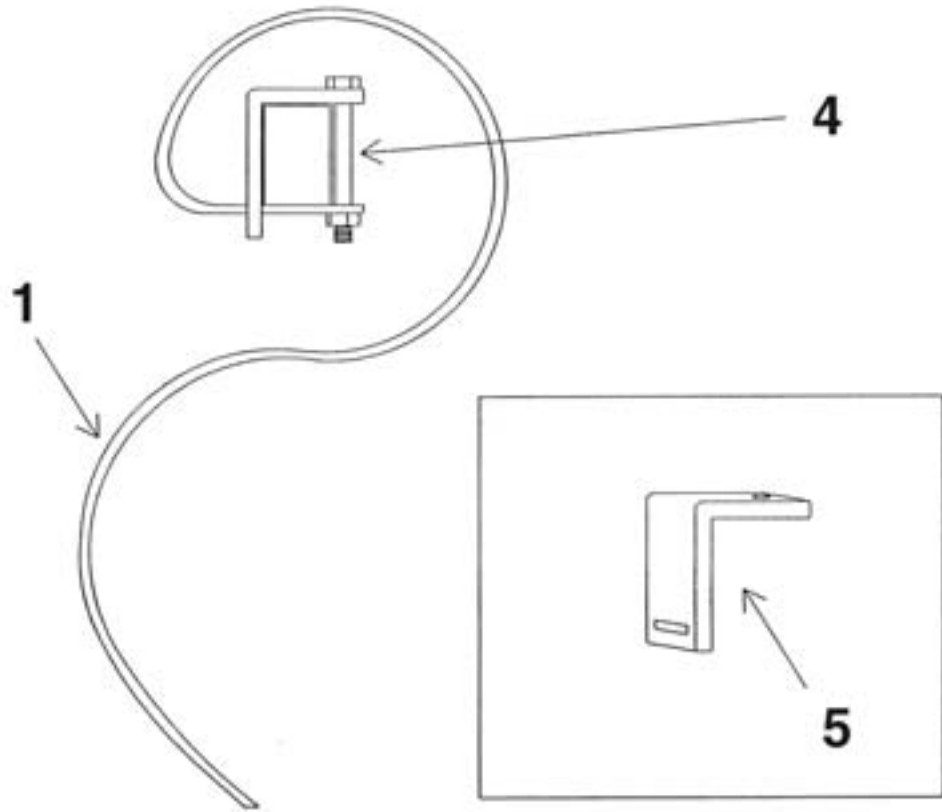
With the "S" Tine Cultivator attached to tractor, raise the cultivator a couple of inches off the floor. Shut-off engine and lock brakes on tractor. Stand at rear of cultivator and sight across top of cultivator frame and tractor axle. Level cultivator frame from side to side by adjusting the lift links on tractor 3-point hitch.

For initial adjustment, with the "S" Tine Cultivator still raised off the ground a couple of inches, stand at side of cultivator and sight across top of cultivator frame and floor.

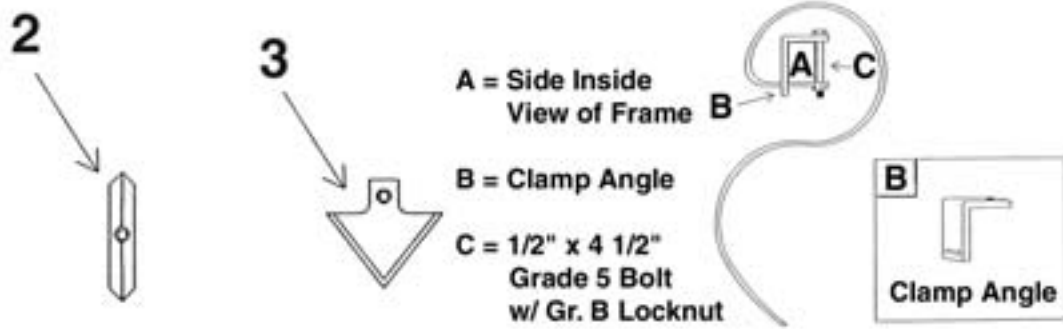
If cultivator frame is not level from front to back with ground line, turn the center link on tractor either in or out until cultivator frame is parallel (or level) to the ground line.

Further front to back adjustment may be required once machine is operated in the field. When properly leveled, all cultivator tools will enter the ground to a uniform depth.

# "S" TINE MOUNTING ASSEMBLY



Front of "S" Tine Cultivator →



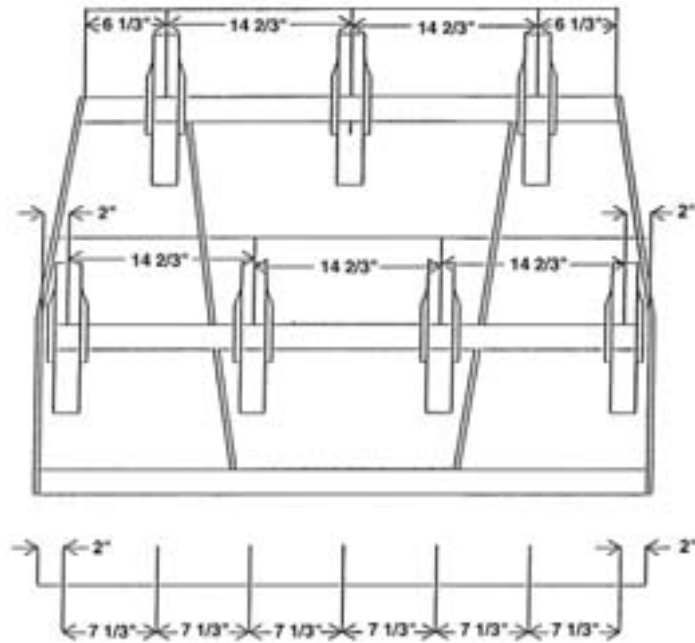
# PARTS LIST

<u>Ref. #</u>	<u>Part No.</u>	<u>Description</u>	<u>4'</u>	<u>5'</u>	<u>6'</u>	<u>7'</u>	<u>8'</u>
1	AV-0415	S Tine Shank	X	X	X	X	X
2	AV-0405	S Tine Point (Straight)	X	X	X	X	X
3	GSC3155	S Tine Point 7" Sweep	X	X	X	X	X
4	AV-0312	1/2" x 4" Gr. 5 w/Locknut	X	X	X	X	X
5	AV-0420	S Tine Clamp	X	X	X	X	X
	AV-0305	3/8" x 1 3/4" Plow Bolt w/Nut	X	X	X	X	X

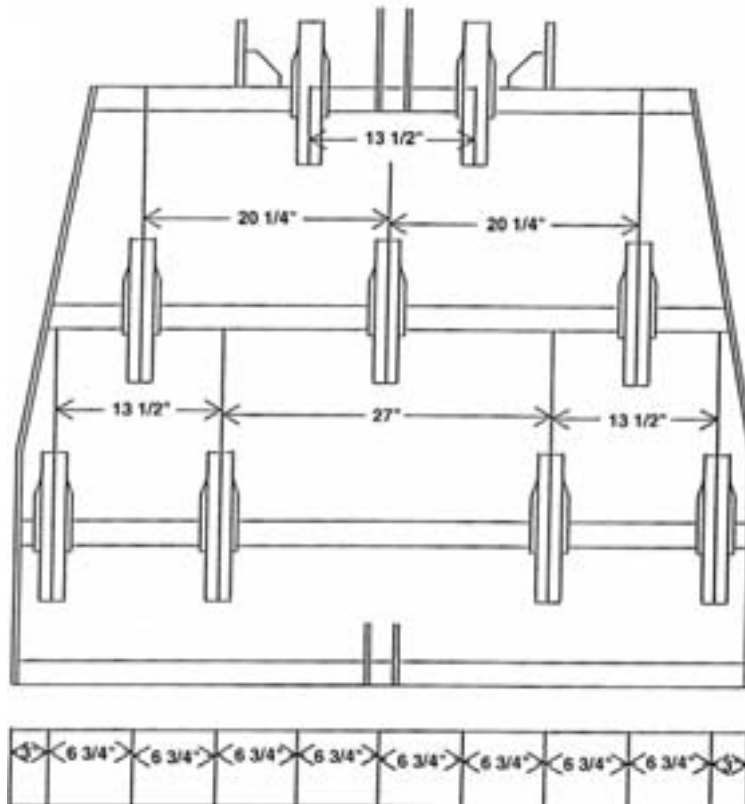


# "S" TINE SPACING

4' Model



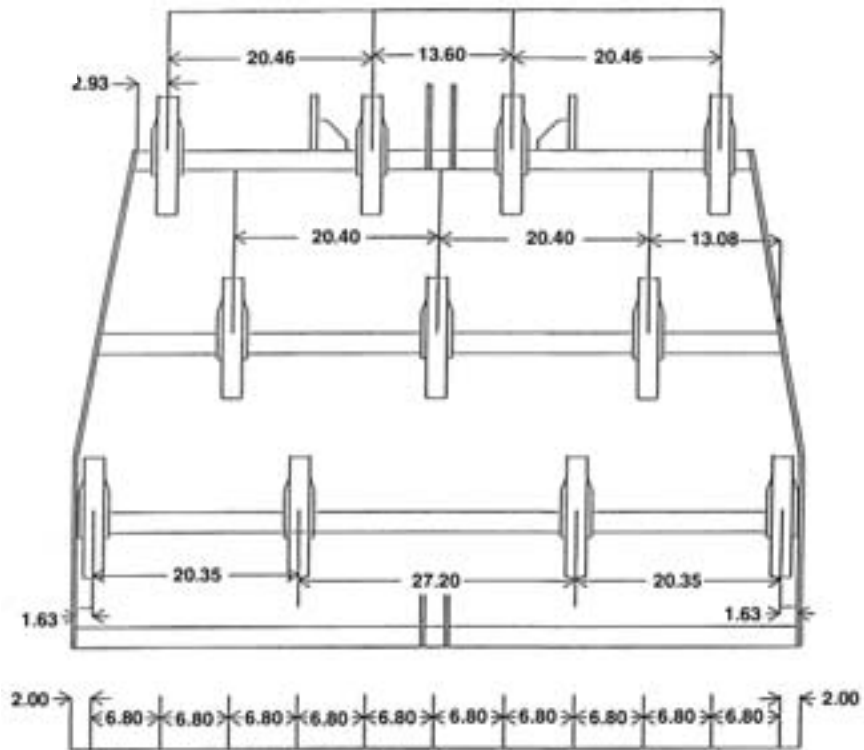
5' Model



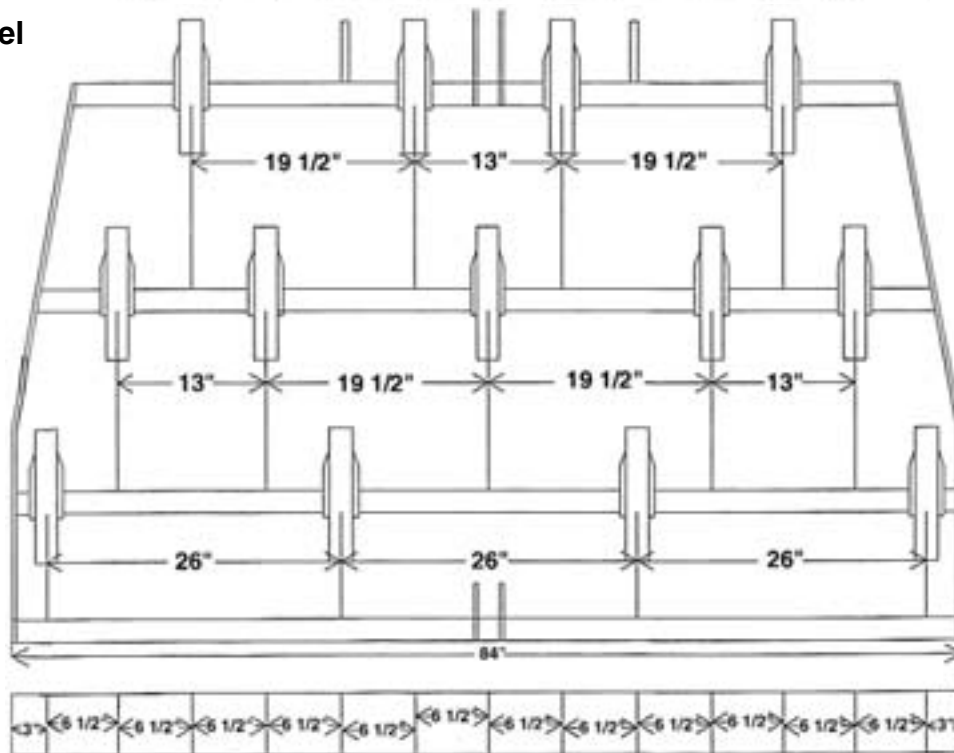
Above dimensions indicate center to center "S" tine spacing. Tillage spacing 5.00" with 1/4" x 1 1/2" reversible straight point. For full width tillage use 1/4" x 7" sweep.

# "S" TINE SPACING

6' Model



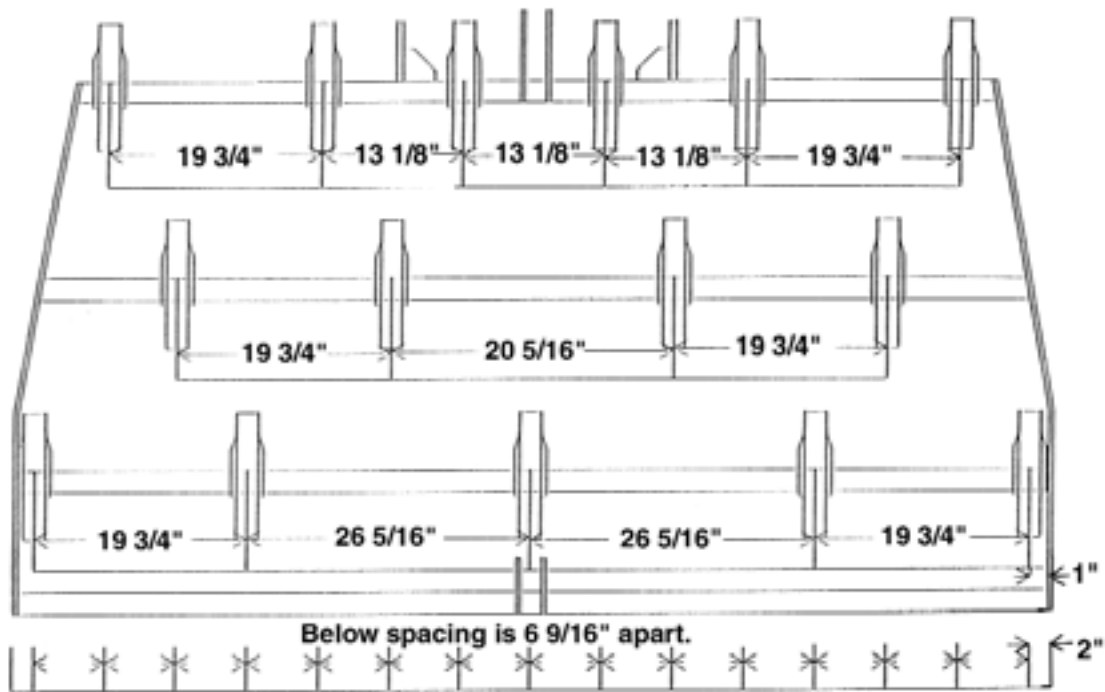
7' Model



Above dimensions indicate center to center "S" tine spacing. Tillage spacing 5.00" with 1/4" x 1 1/2" reversible straight point. For full width tillage use 1/4" x 7" sweep.

# "S" TINE SPACING

## 8' Model



Above dimensions indicate center to center "S" tine spacing. Tillage spacing 5.00" with 1/4" x 1 1/2" reversible straight point. For full width tillage use 1/4" x 7" sweep.

# LIMITED WARRANTY



GEARMORE, INC., warrants each new Gearmore product to be free from defects in material and workmanship for a period of twelve (12) months from date of purchase to the original purchaser. This warranty shall not apply to implements or parts that have been subject to misuse, negligence, accident, or that have been altered in any way.

Our obligation shall be limited to repairing or replacement of any part, provided that such part is returned within thirty (30) days from date of failure to Gearmore through the dealer from whom the purchase was made, transportation charges prepaid.

This warranty shall not be interpreted to render us liable for injury or damages of any kind or nature, direct, consequential or contingent, to person or property. This warranty does not extend to loss of crops, loss because of delay in harvesting or any other expenses, for any other reasons.

Gearmore in no way warrants engines, tires, or other trade accessories, since these items are warranted separately by these respective manufacturers.

Gearmore reserves the right to make improvements in design or changes in specification at any time, without incurring any obligations to owners or units previously sold.

GEARMORE, INC.  
13477 Benson Ave.  
Chino, CA 91710

Always refer to and heed machine operating warning decals on machine.

The serial number of this product is stored in our computer database, thus submitting a warranty registration card is not required.