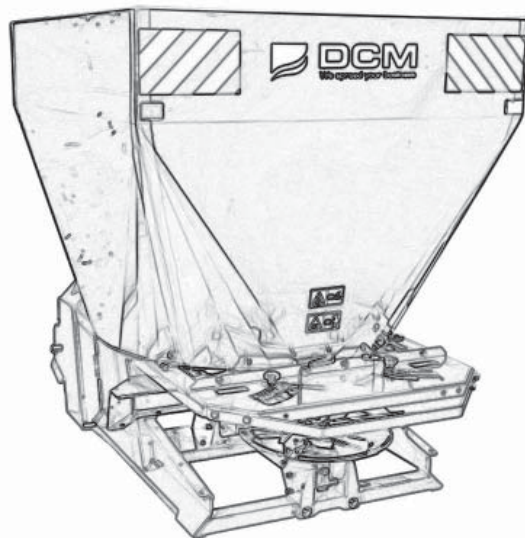




COMPOST SPREADER



**Assembly, Operation,
& Parts Manual
For Models SCU-N1000
S/N 4333 and above**

June 2015

TABLE OF CONTENTS

<u>SECTION</u>	<u>DESCRIPTION</u>	<u>PAGE</u>
1	Introduction	1
1.1	Operator's Responsibility	1
1.2	Machine Description.....	2
2	Safety	3 - 8
2.1	General Safety	4
2.2	Equipment Safety Guidelines	5
2.3	Safety Training.....	6
2.4	Safety Signs	6
2.5	Preparation	7
2.6	Operational Safety.....	8
3	Set-Up & Assembly	9 - 10
3.1	Driveline Attachment.....	9
3.2	Hydraulic Connection.....	9
3.3	Machine Use	10
3.4	Working Speed.....	10
3.5	Machine Disconnection	10
4	Operation	11 - 12
4.1	Working Speed.....	11
4.2	Road Transport.....	12
4.3	Storage	12
5	Maintenance & Lubrication	13
5.1	Lubrication.....	13
5.2	Torque Specification	13
6	Replacement Parts	14 - 23
6.1	Parts Lists - Frame & Gearcase	14-15
6.2	Parts Lists - Hopper	16
6.3	Parts Lists - Agitator.....	17
6.4	Parts Lists - Spreading Disc	18-19
6.5	Parts Lists - Reduction Gear.....	20
6.6	Parts Lists - Adjustment Group	21-22
6.7	Parts Lists - Stainless Steel Conveyor	23
6.8	Parts Lists - Driveshaft.....	24-25
7	Limited Warranty	26

1 INTRODUCTION

Congratulations on your choice of our Compost Spreader. This spreader was designed for the application of compost, peat, concentrated manure, lime, gypsum, dry grape pomace, and other types of fertilizer.

1.1 OPERATOR'S RESPONSIBILITY

Safe, efficient and trouble free operation of your Compost Spreader requires that you and anyone else who will be operating or maintaining the machine, read and understand the Safety, Operation, Maintenance, and Troubleshooting information contained within the Operator's Manual.

Keep this manual handy for frequent reference and to pass on to new operators or owners. Call your Gearmore dealer if you need assistance, information or additional copies of the manuals.

OPERATOR ORIENTATION - The directions left, right, front and rear, as mentioned throughout this manual, are as seen from the driver's seat and facing in the direction of travel.

NAME: _____

PURCHASED FROM: _____

DATE OF PURCHASE: _____

MODEL NUMBER: _____

SERIAL NUMBER: _____

1.2 MACHINE DESCRIPTION

UNAUTHORIZED MACHINE USE -

The machine was produced to spread compost over agricultural soil. The compost must be in granules or powder form. Any other use is forbidden and can be dangerous for people as well as damage the machine itself.

The compost granules should not be bigger than 1 inch.



NOTE: ***Do Not*** fill the hopper with more product weight than its maximum capacity of 1320 lbs..

The machine must not be used in areas where there is the danger of explosions and fire.

TECHNICAL INFORMATION -

Machine Characteristics

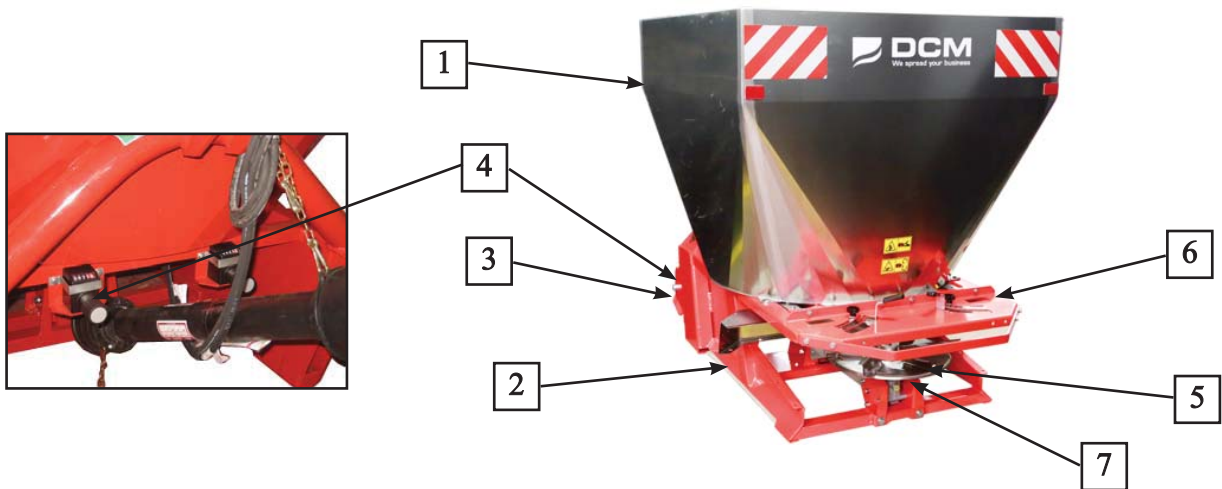


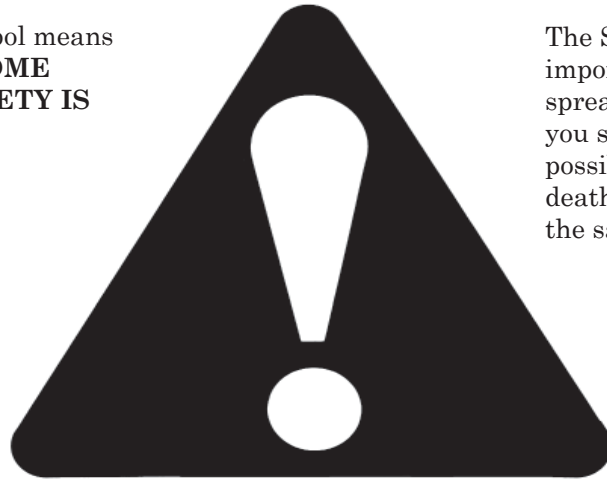
Fig. 1 - View of the machine with its main groups

Ref. No.	Description
1	Hopper
2	Frame
3	Tractor connecting points
4	Hopper mouth opening lever
5	Distributing disc with sheets to regulate the throwing distance
6	Rear guard
7	Gearbox in oil bath

2 SAFETY

SAFETY ALERT SYMBOL

This Safety Alert symbol means **ATTENTION! BECOME ALERT! YOUR SAFETY IS INVOLVED!**



The Safety Alert symbol identifies important safety messages on the spreader and in the manual. When you see this symbol, be alert to the possibility of personal injury or death. Follow the instructions in the safety message.

Why is SAFETY important to you?

3 Big Reasons

Accidents Disable and Kill
Accidents Cost
Accidents Can Be Avoided

SIGNAL WORDS:

Note the use of the signal words **DANGER**, **WARNING** and **CAUTION** with the safety messages. The appropriate signal word for each message has been selected using the following guide-lines:

SI NO LEE INGLES, PIDA AYUDA A AIGUIEN QUE SI LO LEA PARA QUE LE TRADUZCA LAS MIDIDAS DE SEGURIDAD.

DANGER - Indicates an imminently hazardous situation that, if not avoided, will result in death or serious injury. This signal word is to be limited to the most extreme situations typically for machine components which, for functional purposes, cannot be guarded.

WARNING - Indicates a potentially hazardous situation that, if not avoided, could result in death or serious injury, and includes hazards that are exposed when guards are removed. It may also be used to alert against unsafe practices.

CAUTION - Indicates a potentially hazardous situation that, if not avoided, may result in minor or moderate injury. It may also be used to alert against unsafe practices.

If you have any questions not answered in this manual or require additional copies or the manual is damaged, please contact your dealer.

2.1 GENERAL SAFETY

YOU are responsible for the **SAFE** operation and maintenance of your spreader. **YOU** must ensure that you and anyone else who is going to operate, maintain or work around the spreader be familiar with the operating and maintenance procedures and related **SAFETY** information contained in this manual. This manual will take you step-by-step through your working day and alerts you to all good safety practices that should be adhered to while operating the spreader.

Remember, **YOU** are the key to safety. Good safety practices not only protect you, but also the people around you. Make these practices a working part of your safety program. Be certain that **EVERYONE** operating this equipment is familiar with the recommended operating and maintenance procedures and follows all the safety precautions. Most accidents can be prevented. Do not risk injury or death by ignoring good safety practices.

- Spreader owners must give operating instructions to operators or employees before allowing them to operate the machine, and at least annually there after per OSHA (Occupational Safety and Health Administration) regulation 1928.57.
- The most important safety feature on this equipment is a **SAFE** operator. It is the operator's responsibility to read and understand **ALL** Safety and Operating instructions in the manual and to follow these. Most accidents can be avoided.
- A person who has not read and understood all operating and safety instructions is not qualified to operate the machine. An untrained operator exposes himself and bystanders to possible serious injury or death.
- **DO NOT** modify the equipment in any way. Unauthorized modification may impair the function and/or safety and could affect the life of the equipment.
- **Think SAFETY! Work SAFELY!**

1. Read and understand the Operator's Manual and all safety signs before operating, maintaining, or adjusting the spreader.



2. Have a first-aid kit available for use should the need arise and know how to use it.

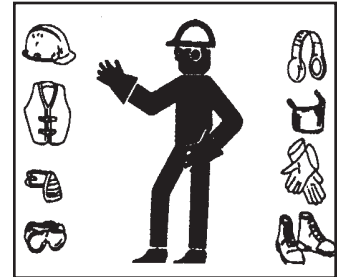


3. Have a fire extinguisher available for use should the need arise and know how to use it.



4. Wear appropriate protective gear. This list includes but is not limited to:

- A hard hat
- Protective shoes with slip resistant soles
- Protective goggles, glasses or face shield
- Heavy gloves
- Protective clothing



5. **DO NOT** allow riders.



6. Wear suitable ear protection for prolonged exposure to excessive noise.

7. Place all controls in neutral, stop tractor engine, set park brake, remove ignition key and wait for all moving parts to stop before servicing, adjusting, repairing, or unplugging.

8. Clear the area of people, especially small children, before starting.

9. Review safety related items annually with all personnel who will be operating or maintaining the spreader.

2.2 EQUIPMENT SAFETY GUIDELINES

Safety of the operator and bystanders is one of the main concerns in designing and developing a spreader. However, every year many accidents occur which could have been avoided by a few seconds of thought and a more careful approach to handling equipment. You, the operator, can avoid many accidents by observing the following precautions in this section. To avoid personal injury or death, study the following precautions and insist those working with you, or for you, follow them. If potentially dangerous situations are known, accidents can be prevented!

- The compost spreader, as described in this instruction and maintenance booklet, has been specifically designed for the spreading of dry material. Any other use jeopardizes the operator's safety and the machine integrity.
- **NEVER** use alcoholic beverages or drugs which can hinder alertness or coordination while operating this equipment. Consult your doctor about operating this machine while taking prescription medications.
- **Under no circumstances should young children be allowed to work with this equipment. Do not allow persons to operate or assemble this unit until they have read this manual and have developed a thorough understanding of the safety precautions and of how it works. Review the safety instructions with all users annually.**
- This equipment is dangerous to children and persons unfamiliar with its operation. The operator should be a responsible, properly trained and physically able person familiar with farm machinery and trained in this equipment's operations. If the elderly are assisting with farm work, their physical limitations need to be recognized and accommodated.
- **NEVER** exceed the limits of a piece of machinery. If its ability to do a job, or to do so safely, is in question - **DON'T TRY IT.**
- Do not modify the equipment in any way. Unauthorized modification may impair the function and/or safety and could affect the life of the equipment.

Only operate this spreader on a properly sized and equipped tractor.

When using the compost spreader, it is particularly **forbidden:**

- The attachment to vehicles of unsuitable power or weight.
- To use other than 540 R.P.M. PTO speed.
- To use the machine without inserting the pins and cotter pins when supplied.
- To work on excessive slopes.
- To lift the machine when the power take off is engaged.
- To approach the machine when wearing inappropriate work clothing.
- To get on the machine while it is being used or transported.

Think SAFETY! Work SAFELY! If potentially dangerous situations are known, accidents can be prevented



DANGER - Operating this spreader in an application for which it is not designed and/or operating with the wrong size tractor can cause spreader component damage and equipment failure resulting in possible serious injury or death.

OPERATOR'S REQUIREMENTS:

All operators using the equipment must be competent and meet necessarily the following features:

Physical - good eyesight, coordination and capability of carrying out all functions required for the machine's use.

Mental - Capability of understanding and applying the established rules and safety precautions. Users must pay attention and be sensible for their own and other people's safety.

Training - Users must have read and studied this manual, its eventual enclosed graphs and schemes and its identification and danger plates. They must be skilled and trained on any use or maintenance activities.

2.3 SAFETY TRAINING

Safety is a primary concern in the design and manufacture of our products. Unfortunately, our efforts to provide safe equipment can be wiped out by a single careless act of an operator or bystander.

In addition to the design and configuration of equipment, hazard control and accident prevention are dependent upon the awareness, concern, prudence and proper training of personnel involved in the operation, transport, maintenance and storage of this equipment.

It has been said, "***The best safety feature is an informed, careful operator.***" We ask you to be that kind of an operator. It is the operator's responsibility to read and understand ALL Safety and Operating instructions in the manual and to follow these. Accidents can be avoided.



Working with unfamiliar equipment can lead to careless injuries. Read this manual, and the manual for your tractor, before assembly or operating, to acquaint yourself with the machines. If this machine is used by any person other than yourself, or is loaned or rented, it is the machine owner's responsibility to make certain that the operator, prior to operating:

- a. Reads and understands the operator's manuals.
- b. Is instructed in safe and proper use.

Should ownership of the equipment be transferred, this manual must also be transferred.

Know your controls and how to stop tractor, engine and machine quickly in an emergency. Read this manual and the one provided with your tractor.

Train all new personnel and review instructions frequently with existing workers. Be certain only a properly trained and physically able person will operate the machinery. A person who has not read and understood all operating and safety instructions is not qualified to operate the machine. An untrained operator exposes himself and bystanders to possible serious injury or death. If the elderly are assisting with farm work, their physical limitations need to be recognized and accommodated.

For any part of this manual that you do not understand, contact your dealer or Gearmore, Inc.

2.4 SAFETY SIGNS

1. Safety decals and this manual must be considered a permanent part of your equipment.
2. Keep safety signs clean and legible at all times.
3. Replace safety signs that are missing or have become illegible.
4. Replaced parts that displayed a safety sign should also display the current sign.
5. Safety signs are available from your authorized dealer or from Gearmore.

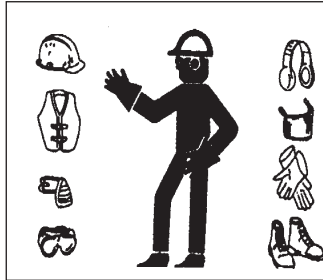
How To Install Safety Signs:

- Be sure that the installation area is clean and dry.
- Be sure temperature is above 50° F (10° C).
- Determine exact position before you remove the backing paper.
- Remove the smallest portion of the split backing paper.
- Align the sign over the specified area and carefully press the small portion with the exposed sticky backing in place.
- Slowly peel back the remaining paper and carefully smooth the remaining portion of the sign in place.
- Small air pockets can be pierced with a pin and smoothed out using the piece of sign backing paper.

2.5 PREPARATION

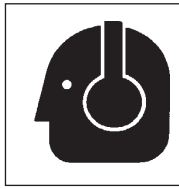
1. Never operate the tractor and spreader until you have read and completely understand this manual, the Tractor Operator's Manual and each of the Safety Messages found on the safety signs on the tractor and spreader.

2. Personal protection equipment, including hard hat, safety glasses, safety shoes and gloves are recommended during assembly, installation, operation, adjustment, maintaining, repairing, removal or moving the implement. **DO NOT** allow long hair, loose fitting clothing or jewelry to be around equipment.



3. **PROLONGED EXPOSURE TO LOUD NOISE MAY CAUSE PERMANENT HEARING LOSS!**

Tractors with or without equipment attached can often be noisy enough to cause permanent, partial hearing loss. We recommend that you wear hearing protection on a full-time basis if the noise in the Operator's position exceeds 80db. Noise over 85db on a long-term basis can cause severe hearing loss. Noise over 90db adjacent to the Operator over a long-term basis may cause permanent, total hearing loss.



NOTE: Hearing loss from loud noise (from tractors, chain saws, radios, and other such sources close to the ear) is cumulative over a lifetime without hope of natural recovery.

4. Always consider the features of the area where work is taking place. When the equipment is running, it is forbidden to stand within the field of action of the spreader.
5. Before and while working, do not drink alcohol, take drugs, or any other substances which may alter your capability of working with machine tools.
6. Do not use the equipment under unsafe conditions. For instance, it is forbidden to execute makeshift repair activities just to start working. Operate only in daylight or good artificial light.
7. Be sure to have sufficient fuel, to prevent a forced stopping of the machine, maybe during a critical movement.
8. Ensure that all safety shielding and safety signs are properly installed and in good condition.
9. Never operate implement without all shields in place and in good operational condition.
10. The operator must be familiar with the spreader and tractor and all associated safety practices before operating the spreader and tractor.

2.6 OPERATIONAL SAFETY

WHEN WORKING OR DURING THE MAINTENANCE ACTIVITIES IT IS NECESSARY TO REMEMBER:

The use of this equipment is subject to certain hazards that cannot be protected against by the mechanical means or product design. All operators of this equipment must read and understand this entire manual, paying particular attention to safety and operating instructions, prior to using. If there is something in this manual you do not understand, ask your supervisor, or your dealer, to explain it to you.

Most accidents occur because of neglect or carelessness. Keep all helpers and bystanders at least several hundred feet from an operating spreader. Only properly trained people should operate this machine. ***Operation must be stopped when anyone comes within several hundred feet.***

The labels and stickers providing instructions and pointing out the dangers, must not be removed, hidden, or made illegible.

Do not remove, except in case of maintenance, the shields, guards, and deflectors equipped on the spreader. When it is necessary to remove them, stop engine, handle with care and reassemble them properly before restarting the engine and using the equipment.

All shields, guards, and deflectors equipped on the spreader must be maintained in good operational condition.

It is forbidden to lubricate, clean and adjust the moving parts while they are running.

During maintenance or adjustment activities on the equipment it is forbidden to use hands for executing operations for which there are specific tools.

Do not use tools in bad condition or inappropriately, for instance pliers rather than wrenches.

When maintenance or repairs are completed check out that no tools, wiping rags, or other materials are left inside spaces or guides with moving parts.

While using the equipment, it is forbidden to make more than one person give directions and make signals. The eventual directions and signals relating to the load handling must be given by one person only.

Do not unexpectedly call an operator while he is working if not necessary; it is forbidden as well to frighten or throw objects at the operator, even if just for fun.

Watch out for those who are present, especially the children! Do not let people get on the machine.

When not in use, stop the vehicle's engine, park it on flat ground with parking brake engaged and the PTO disengaged. Never leave equipment unattended with the tractor running.

Do not clean, lubricate, repair or adjust with the engine running and the machine lifted.

Do not allow riders on the spreader or tractor at any time. There is no safe place for any riders. Do not operate unless all personnel, livestock, and pets are several hundred feet away.

Never use the machine on steep slopes which may jeopardize the equipment's stability.

The manufacturer declines all responsibility for a lack of compliance with these instructions.

3 SET-UP - ASSEMBLY



DANGER - Pay attention to the tractor's front wheels grip when the equipment is set up and lifted; if the wheels appear to be too lightened, ballast the tractor front tires or add front weights.



CAUTION - After executing the above-mentioned activities it is always good to check that all bolts and nuts of your spreader are tightened (refer to the torque specifications in this manual)

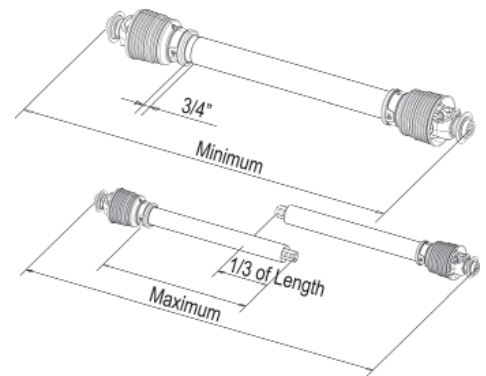
3.1 DRIVELINE ATTACHMENT

Before assembling the PTO shaft, it is very important to check out that its number of revolutions and direction of rotation match those of the tractor. Moreover, read the manufacturer instruction manuals of the driveline and the tractor carefully. Before starting work, check the presence of the safety guards on the PTO of the machine, of the shaft and of the tractor. Check in particular that the safety guards cover the driveline throughout its extension.



CAUTION - When at their maximum extension, the safety guards' plastic hoses shall overlap at least $\frac{1}{3}$ of their length. When in their maximum closed position, the minimum play allowed shall be $\frac{3}{4}$ "

Check out that the driveline minimum and maximum length are the ones required by the machine/tractor coupling. Should problems arise, contact a skilled repair shop or the driveline retailer. After installation, secure safety guards both to the tractor and the machine using the special chains and make sure that they pivot freely. Do not use a shaft without proper safety guards complying with legal requisites. If the shaft is equipped with other safety devices, such as a pair limiter or freewheels, be sure to install them on the machine side. As for the driveline use and maintenance, refer to the relevant booklet.



CAUTION - Avoid going near the driveline, either in movement or stopped.

3.2 HYDRAULIC CONNECTIONS

The spreader has a hydraulic cylinder for off and on. The hose has a quick coupler for connecting to the tractor. Check the sealing of the connection and become familiar with the movement controls.

3.3 MACHINE USE

Before using the machine for the first time, or after a long period of inactivity, carry out the following:

- ▶ Check that the machine is not damaged
- ▶ Check the mechanical parts, which must be in good condition and not rusted
- ▶ Check that there is not oil leakage coming from fittings
- ▶ Check that all safety guards are properly positioned

When these check-ups have been carried out, do not start the PTO with the spreader at work height but only after having lifted it up a few centimeters with the tractor lift. After this, it is possible to start engine, engage PTO, drop the machine down to work position and start using it. In the same way for operations involving change of direction, turning and going in reverse, lift the head a bit from the ground, after having disengaged the PTO, in order to avoid structure damage.

Before using the machine, one must be familiar with the controls and their work capabilities. Before starting work, make sure that no people or animals are within 100 feet. Keep the engine running at a rev speed that assures the machine the needed power for its use. Run a short way with the spreader working and check the quality of the work carried out. If it does not satisfy you, repeat and review the machine adjustment operations.

3.4 WORKING SPEED

The tractor speed during work depends on the area to be spread. However your speed should be between 4 to 6 MPH. The PTO speed must be within 540 RPM

3.5 MACHINE DISCONNECTION

When the machine is parked, one must:

- ~ Set the parking brake
- ~ Lower the machine resting feet
- ~ Place the spreader on the ground
- ~ Disengage the tractor PTO
- ~ Turn the tractor engine off and remove the ignition key from the control panel
- ~ Descend from the drive position
- ~ Detach the driveline and remove A-frame pins
- ~ Get back onto the tractor, start it up and move away carefully

4 OPERATION

When operating with the band spread side conveyor, close the shutter opening completely that is **nearest the material exit**. Open the **opposite shutter about half way** and then adjust to your requirements.

When operating the unit **without the side spread conveyor, open both shutters** approximately 1/4 open and then adjust to your requirements.



CAUTION - Never start spreading with **both shutters fully open** as you could overload the spinner and **shear the safety roll pin**.

The hydraulic cylinder is **only used for on and off**. The two hopper opening levers are used to adjust the amount of flow.

4.1 WORKING SPEED

The working speed depends on field conditions, but maximum speed is 6 MPH.
The power takeoff speed must be **540 RPM maximum**.

4.2 ROAD TRANSPORT

1. Comply with state and local laws governing highway safety and movement of farm machinery on public roads.
2. The use of flashing amber lights is acceptable in most localities. However, some localities prohibit their use. Local laws should be checked for all highway lighting and marking requirements.
3. At all times, when driving the tractor and equipment on the road or highway under 20 mph (32 kph) use flashing amber warning lights and a slow moving vehicle (SMV) identification emblem. Do not exceed 20 mph (32 kph). Reduce speed on rough roads and surfaces.
4. Plan your route to avoid heavy traffic.
5. Always install transport locks, pins, or brackets before transporting.
6. Do not drink and drive.
7. Be a safe and courteous driver. Always yield to oncoming traffic in all situations, including narrow bridges, intersections, etc. Watch for traffic when operating near or crossing roadways.
8. Turn into curves or go up or down hills only at a low speed and at a gradual steering angle. Make certain that at least 20% of the tractor's weight is on the front wheels to maintain safe steering. Slow down on rough or uneven surfaces.
9. Use extreme care and maintain minimum ground when operating close to ditches or fences. Be careful when turning sharp corners.
10. Never allow riders on either tractor or spreader.

4.3 STORAGE

If your spreader will not be used for a long period of time, respect the following suggestions:

1. Wash the machine thoroughly and dry it.
2. Lubricate all bearings with enough grease to eliminate any cavities where water condensation may occur and cause damage. Refer to "**Maintenance Section**" for location of all grease fittings. Be sure the vent on top of the gearbox is open.
3. Coat all exposed surfaces inside the spreader with oil or grease to prevent rusting and pitting during storage.
4. Protect the whole machine with a tarpaulin and put it in a dry place away from activity.

PRE-SEASON CHECK:

1. Check the oil level in the gearbox and lubricate all bearings. See "**Lubrication**".
2. Check out all equipment and replace damaged or worn parts.
3. Tighten all bolts and nuts (See "**Torque Specifications**").
4. Inspect for missing and/or broken parts. Replace as necessary.
5. Be sure that the safety guards are in place and secure.
6. Run the spreader at a low RPM checking to make sure that all driveline parts are moving freely.

5 MAINTENANCE & LUBRICATION

5.1 LUBRICATION

GEARBOX -

Use 90 weight gear lubricant Shell Omala or equal. Drain gearbox at ***50 hours*** to get rid of all possible microscopic debris because of the friction of the new gears. Then drain and replace oil ***every 2000 hours***.

DRIVESHAFT -

Grease both crosses and shear pin yokes ***every 8 hours***. It is also necessary from time to time, to untelescope the driveshaft to clean and re-grease the shaft.

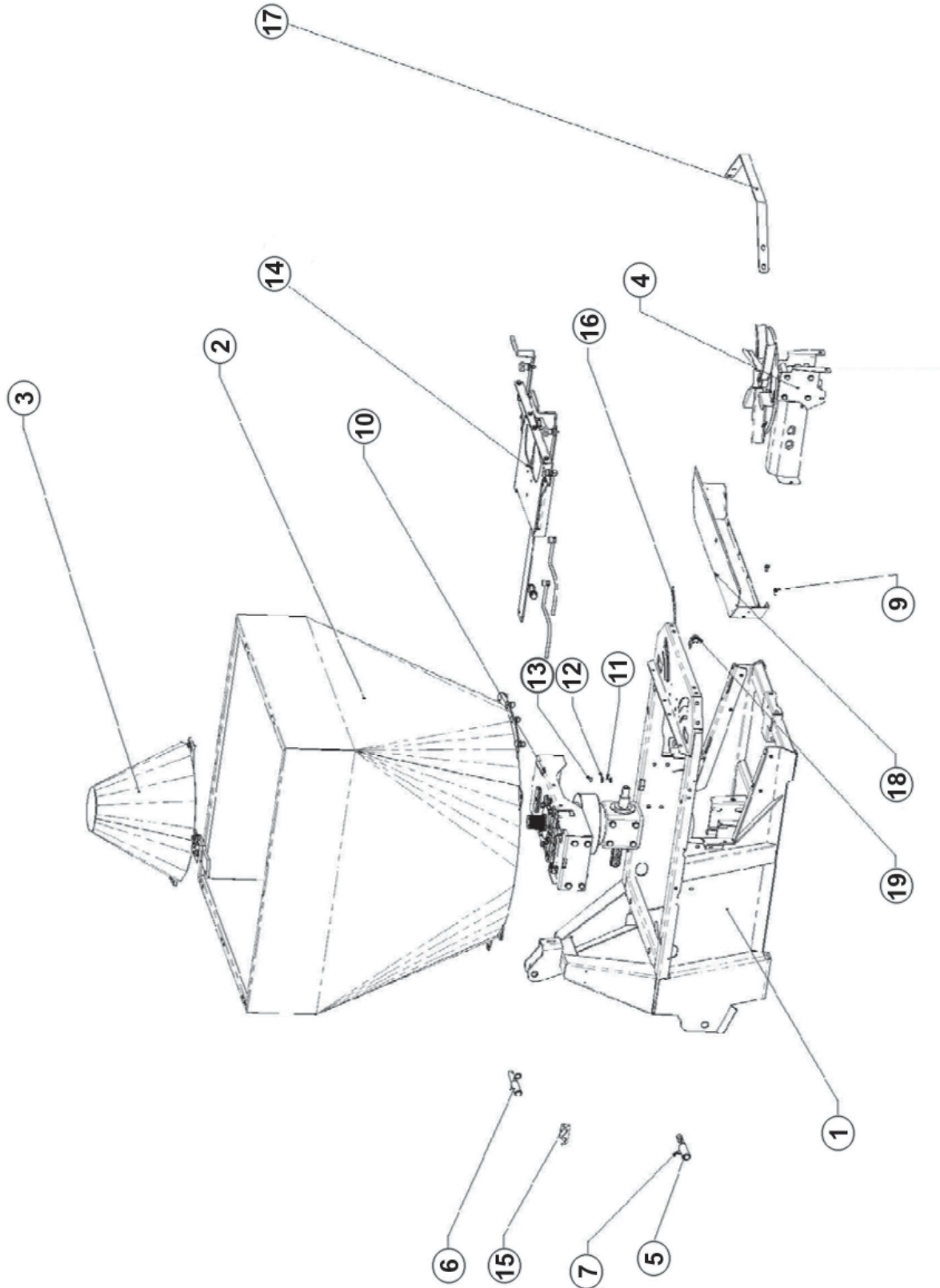
5.2 TORQUE SPECIFICATIONS

For correct hardware tightening on the spreader, we suggest the use of a suitable torque wrench and the applicable torque as listed in the table below.

M-THREADED SCREW / BOLTS				
Bolt Grade				
Thread	8.8		10.9	
	Nm	lb / ft	Nm	lb / ft
M6	11	8.5	17	12
M8	28	20	40	30
M10	55	40	80	60
M12	95	70	140	105
M14	150	110	225	165
M16	240	175	305	225
M18	330	250	475	350

6 REPLACEMENT PARTS

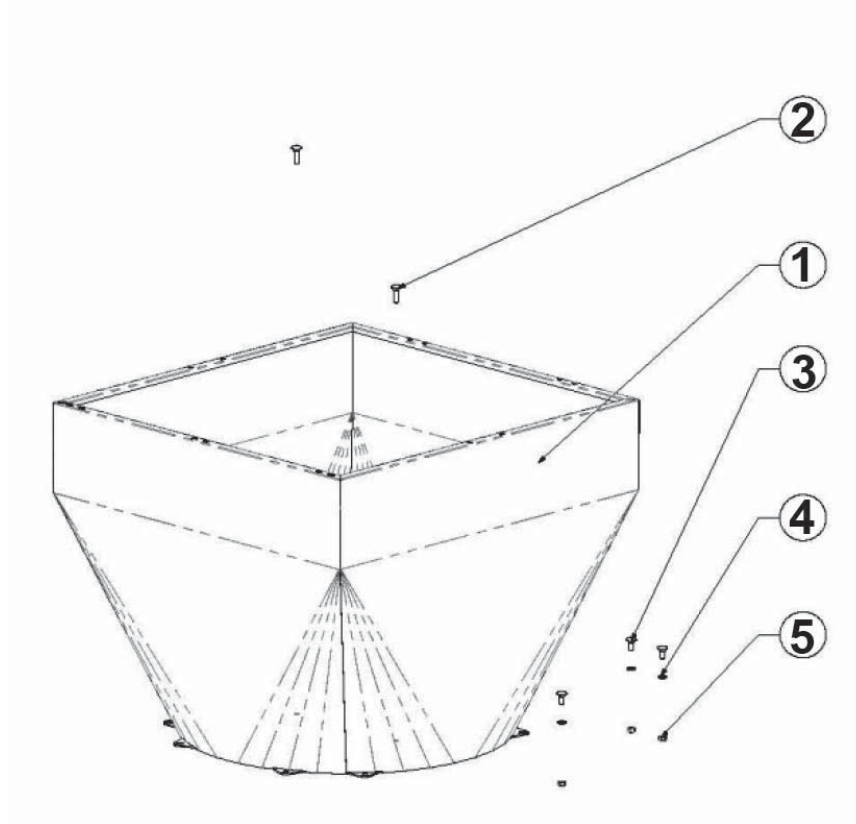
6.1 FRAME & GEARCASE



6.1 FRAME & GEARCASE

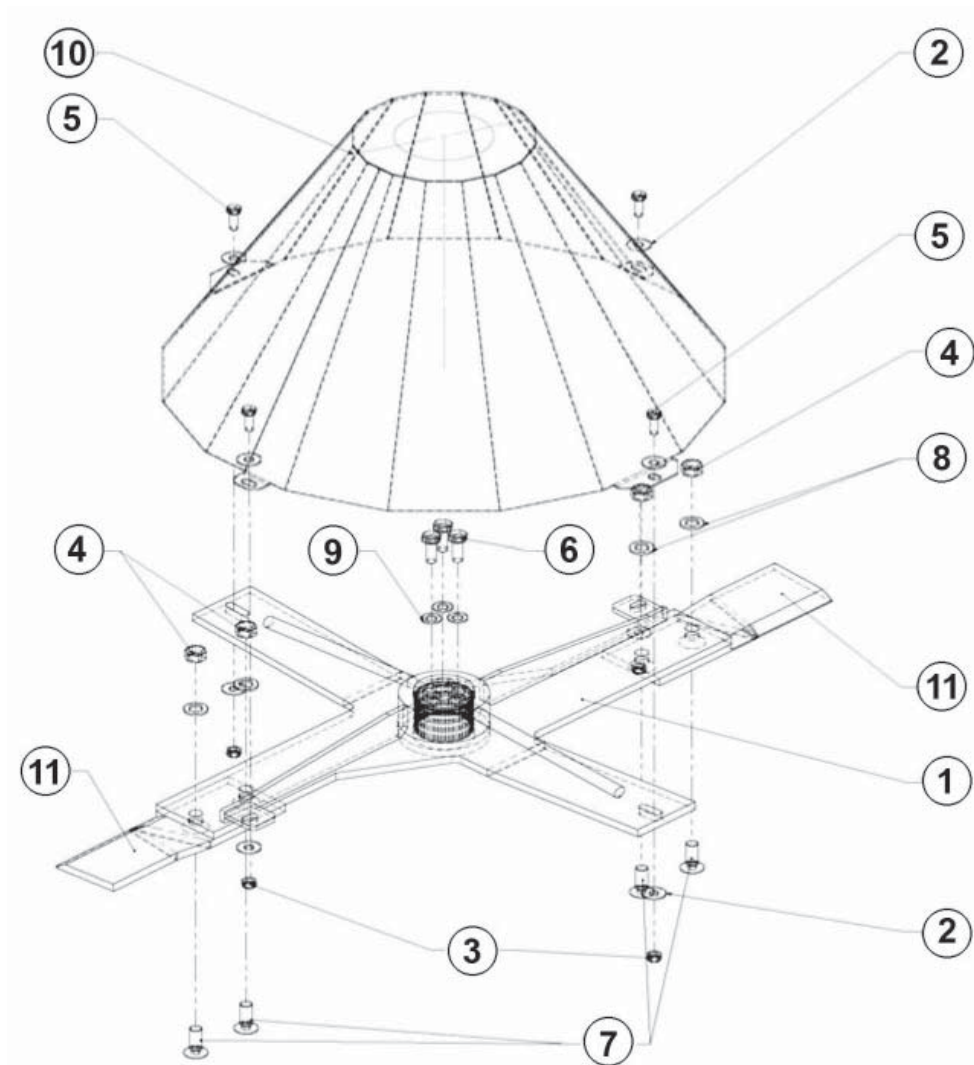
<u>REF.</u>	<u>QTY.</u>	<u>PART NO.</u>	<u>DESCRIPTION</u>
1	1	327000007C	Frame
2	1	526000053	Painted Hopper SCU-N 1000 lt.
3	1	503000002A	Painted Agitator For SCU-N
4	1	512000025	Spreading Group SCU-N
5	2	409000003	Implement Mounting Pin Cat. 1 - 2
6	1	409000002	Implement Mounting Pin Top Links Cat. 1-2
7	3	411076006Z	Galvanized Grip Clips Type R d.4 x 76
8	2	411065005X	Stainless Steel Plain Washer UNI 6592 d.8
9	2	411002048X	Stainless Steel TE Screw UNI 5739 M8 x 20
10	1	527000021	Central Gear Case SCU-N With Support
11	1	411020021X	Stainless Steel TTQS Screw UNI 5731 M8 x 20
12	1	411066016X	Stainless Steel Large Plain Washer UNI 6592 d.8x24x2
13	1	411041008X	Stainless Steel Self Locked Hex. Nut UNI 7474 M8
14	1	527000020	Adjusting Group & SCU-N Opening
15	1	231001346	Hydraulic Tubes Support Bracket - 2 Places
16	1	231001304	Right Graduated Rule - Opening Adjustment SCU-N
17	1	231001318	Stainless Steel Protection SCU-N
18	1	231000954G	Stainless Steel Protection GR2 CA_GR2 CA/W_SCU-N
19	1	231001452	Left Graduated Rule - Opening Adjustment SCU-N

6.2 HOPPER



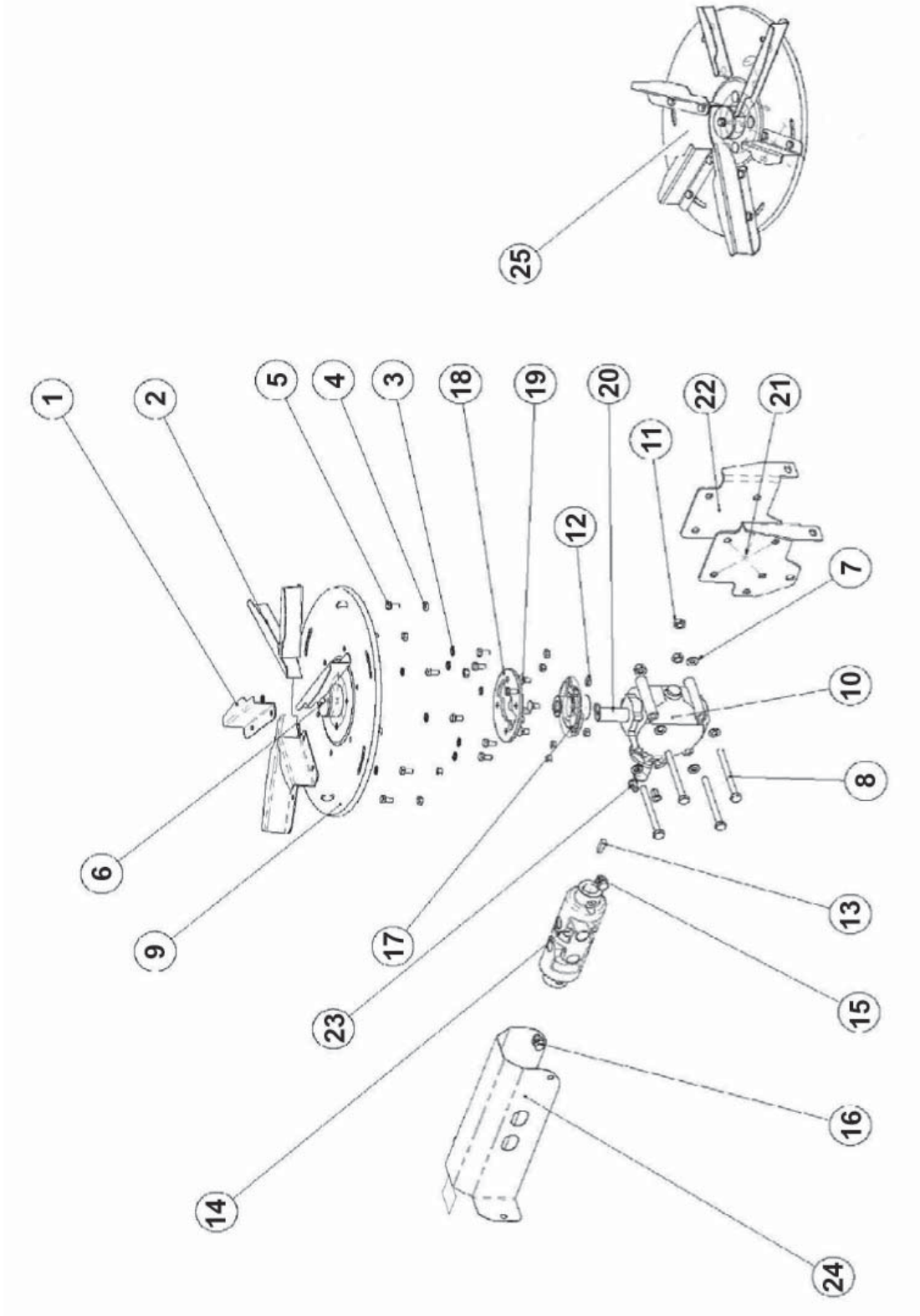
<u>REF.</u>	<u>QTY.</u>	<u>PART NO.</u>	<u>DESCRIPTION</u>
1	1	328000010C	SCU-N Hopper 1000 lt.
2	2	411020049X	Stainless Steel TTQS Screw UNI 5731 M12 x 45
3	10	411020046X	Stainless Steel TTQS Screw UNI 5731 M12 x 30
4	12	411065007X	Stainless Steel Plain Washer UNI 6592 d.12
5	12	411041012X	Stainless Steel Self Locked Hex. Nut UNI 7474 M12

6.3 AGITATOR



<u>REF.</u>	<u>QTY.</u>	<u>PART NO.</u>	<u>DESCRIPTION</u>
1	1	303000002	Painted Agitator SCU/SCU-N
2	8	411066016X	Stainless Steel Plain Large Washer UNI 6592 d.8x24x2
3	4	411041008X	Stainless Steel Hex. Locknut 6S UNI 7474 M8
4	4	411041012X	Stainless Steel Hex. Locknut 6S UNI 7474 M12
5	4	411002049X	Stainless Steel TE Screw UNI 5739 M8 x 25
6	3	411002069X	Stainless Steel TE Screw UNI 5739 M10 x 30
7	4	411011086X	Stainless Steel TSPEI Screw 10.9 UNI 5933 M12 x 35
8	4	411065007X	Stainless Steel Plain Washer UNI 6592 d.12
9	3	411065006X	Stainless Steel Plain Washer UNI 6592 d.10
10	1	331000030	Agitator Cone SCU/SCU-N
11	2	234000003	Interchangeable Blade Agitator

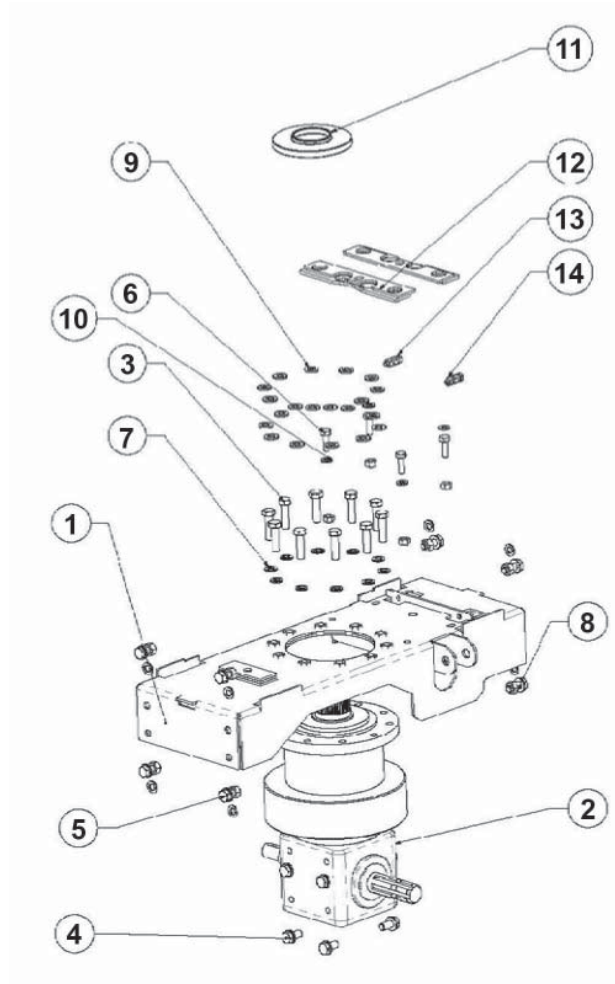
6.4 SPREADING DISC



6.4 SPREADING DISC (CONTINUED)

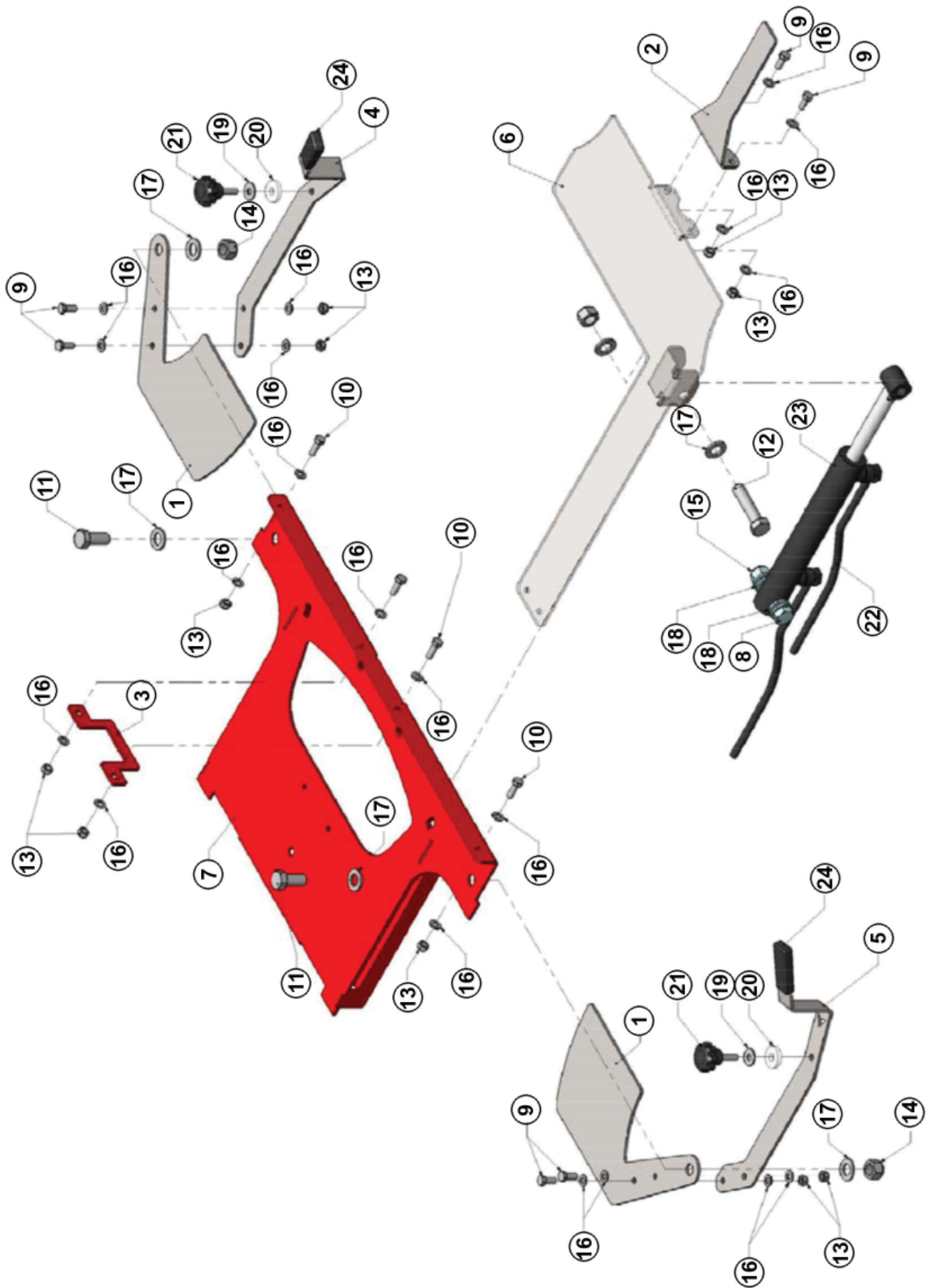
<u>REF.</u>	<u>QTY.</u>	<u>PART NO.</u>	<u>DESCRIPTION</u>
1	3	231001289	Short Vane SCU-N
2	3	231001290	Long Vane SCU-N
3	13	411070005X	Stainless Steel External Notched Washer UNI 8842A d.8
4	12	411040008X	Stainless Steel Hex. Nut UNI 5588 M8
5	12	411002047X	Stainless Steel TE Screw UNI 5739 M8 x 16
6	1	411002051X	Stainless Steel TE Screw UNI 5739 M8 x 35
7	8	411065006X	Galvanized Plain Washer UNI 6592 d.10
8	4	411001065X	Galvanized TE Screw UNI 5737 M10 x 20
9	1	328000031	Spreading Disc SCU-N
10	1	423000006	Gear Case
11	4	411041010X	Galvanized Self Locked Hex. Nut UNI 7474 M10
12	4	411041008X	Stainless Steel Self Locked Hex. Nut UNI 7474 M8
13	2	411063115	Key B 8 x 7 x 32 UNI 6607-69
14	1	442000018	Double Universal Joint Cat. 1F d.25 w/Key + Grease Cup
15	2	411040010X	Galvanized Hex. Nut UNI 5588 M10
16	2	411002067X	Galvanized TE Screw UNI 5739 M10 x 20
17	1	305000057	SCU-N Flange Spreader Disc
18	1	231000710	SCU-N Towed Flange Spreader Disc Rotation
19	4	411020020X	Stainless Steel TTQS Screw UNI 5731 M8 x 16
20	1	411021062	Flat Point Hex. Socket Set Screws M8 x 12
21	1	231001320	Gearbox Right Bracket
22	1	231001321	Gearbox Left Bracket
23	2	411050006Z	Galvanized Hex. Closed Threaded Insert M8 x 21
24	1	231001438	Joint Protection - Spreading Disc
25	1	6124000007	Spreading Disc With Vanes

6.5 REDUCTION GEAR



<u>REF.</u>	<u>QTY.</u>	<u>PART NO.</u>	<u>DESCRIPTION</u>
1	1	327000059	Top Support - Central Reduction Gear
2	1	423000022	Central Reduction Gear With Modified Output Shaft
3	10	411002091X	Galvanized TE Screw UNI 5739 M12 x 45
4	8	411002087X	Galvanized TE Screw UNI 5739 M12 x 25
5	8	411002088X	Galvanized TE Screw UNI 5739 M12 x 30
6	4	411002069X	Galvanized TE Screw UNI 5739 M10 x 30
7	18	411067007X	Galvanized Grower Washer UNI 1751 d.12
8	18	411040012X	Galvanized Hex. Nut UNI 5588 M12
9	36	411065007X	Galvanized Plain Washer UNI 6592 d.12
10	4	411065006X	Galvanized Plain Washer UNI 6592 d.10
11	1	315000015	Dust Cover - Central Gearbox SCU-N
12	2	331000049	Sliding Opening
13	2	411002050X	Stainless Steel TE Screw UNI 5739 M8 x 30
14	4	411040008X	Stainless Steel Hex. Nut UNI 5588 M8
15	4	411041010X	Galvanized Self Locked Hex. Nut UNI 7474 M10

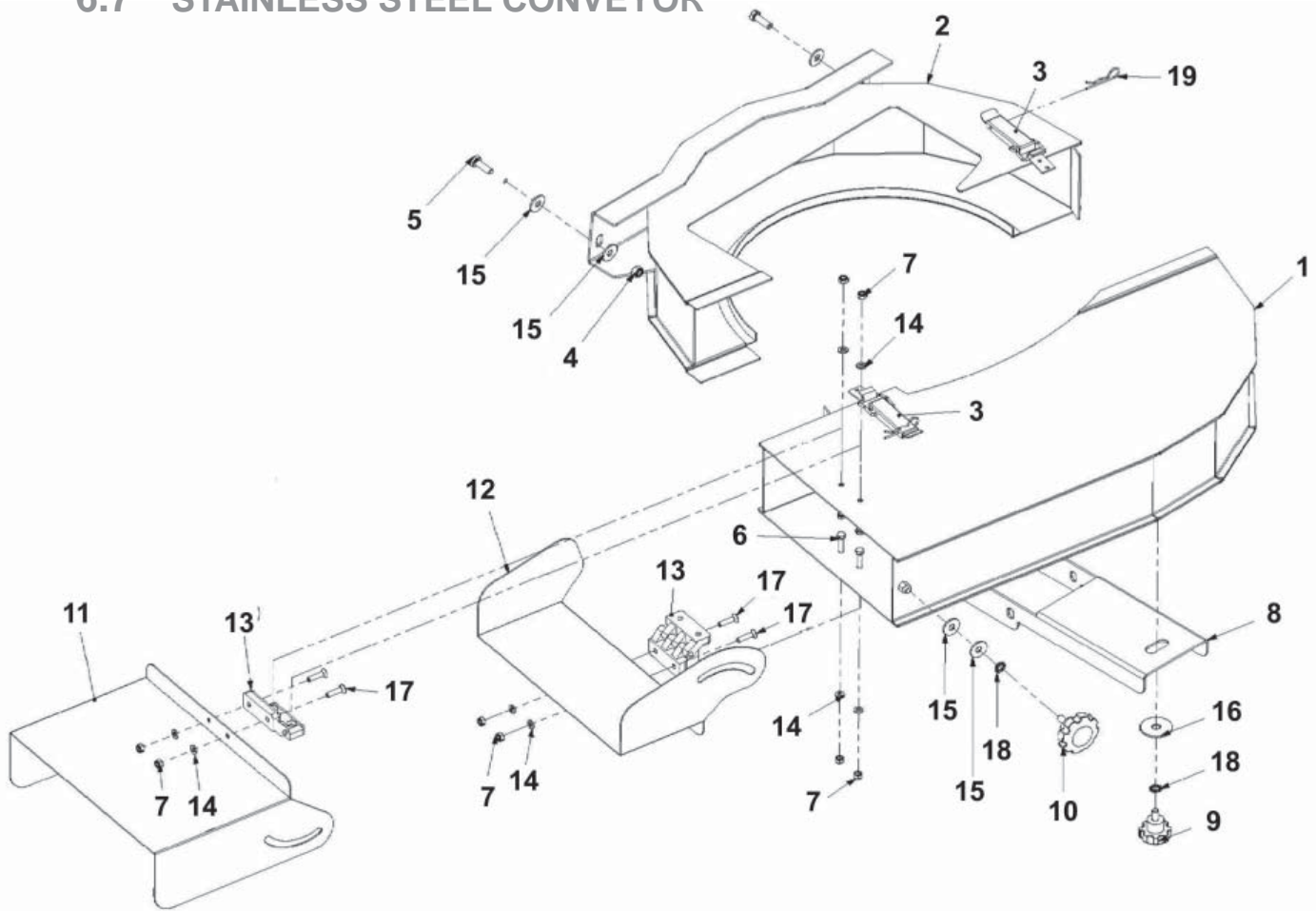
6.6 ADJUSTMENT GROUP



6.6 ADJUSTMENT GROUP (CONTINUED)

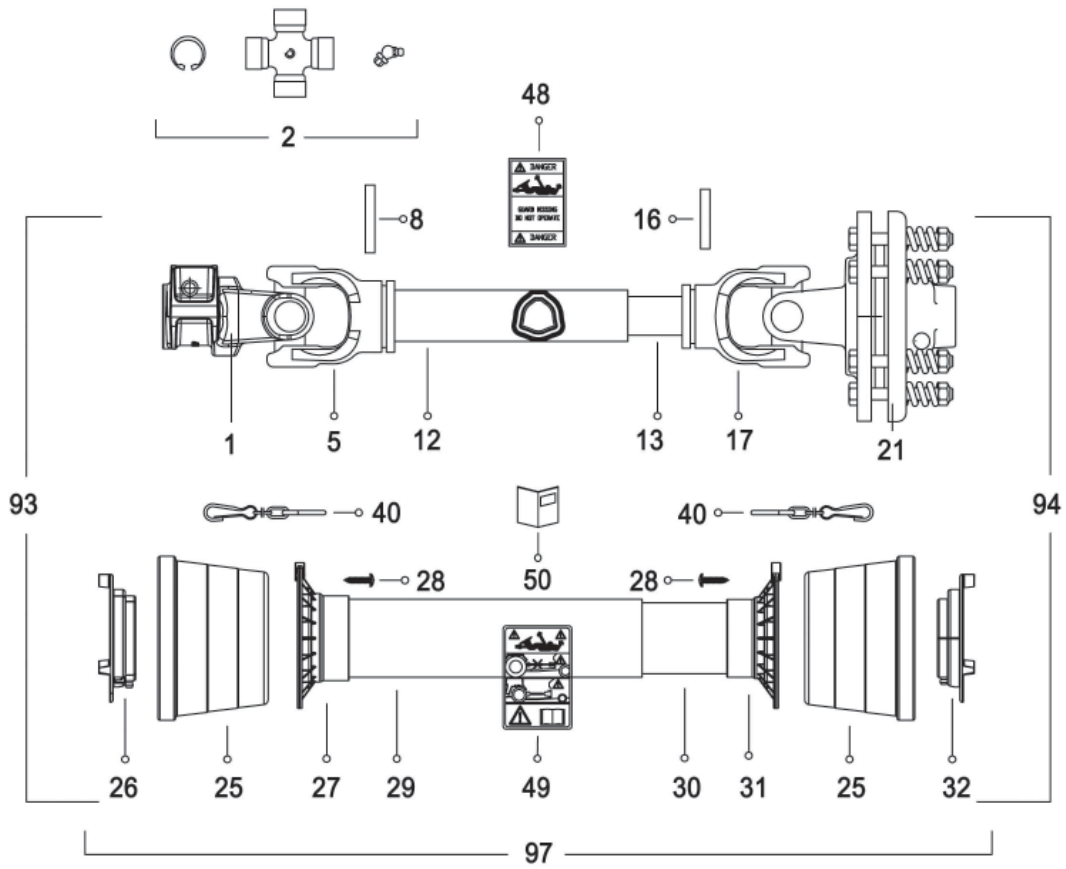
<u>REF.</u>	<u>QTY.</u>	<u>PART NO.</u>	<u>DESCRIPTION</u>
1	2	231001293	Blade Adjustment Opening SCU-N
2	1	231001295	Prong Closisng Blade SCU-N
3	1	231001300	Support For Central Prong Closing Blade SCU-N
4	1	231001301A	Right - Opening Adjustment Lever SCU-N
5	1	231001303A	Left - Opening Adjustment Lever SCU-N
6	1	328000029	Blade For Opening/Closing SCU-N
7	1	328000030	Sliding Opening SCU-N
8	1	411001114Z	Galvanized TE Screw UNI 5737 M16 x 80
9	6	411002048X	Stainless Steel TE Screw UNI 5739 M8 x 20
10	4	411002049X	Stainless Steel TE Screw UNI 5739 M8 x 25
11	2	411002123X	Stainless Steel TE Screw UNI 5739 M16 x 35
12	1	411002130X	Stainless Steel TE Screw UNI 5739 M16 x 70
13	10	411041008X	Stainless Steel Self Locked Hex. Nut UNI 7474 M8
14	3	411041016X	Stainless Steel Self Locked Hex. Nut UNI 7474 M16
15	1	411041016Z	Galvanized Self Locked Hex. Nut UNI 7474 M16
16	20	411065005X	Stainless Steel Plain Washer UNI 6592 d.8
17	6	411065009X	Stainless Steel Plain Washer UNI 6592 d.16
18	4	411065009Z	Galvanized Plain Washer UNI 6592 d.16
19	2	411066016X	Stainless Steel Large Plain Washer UNI 6592 d.8 x 24 x 2
20	2	411072001	Nylon Plain Washer 10 x 30 x 5
21	2	411090007	Knob d.40 Thread M8 x 30
22	1	418000009	Hydraulic Tubes (Kit Dal Cero 5)
23	1	420000001	Hydraulic Cylinder 30/40 - 20 L=150
24	2	439003006	Flat Knob - Hole 15 x 4

6.7 STAINLESS STEEL CONVEYOR



<u>REF.</u>	<u>QTY.</u>	<u>PART NO.</u>	<u>DESCRIPTION</u>
1	1	331000018	Front Side Single Conveyor Stainless Steel
2	1	331000019	Rear Side Single Conveyor Stainless Steel
3	4	439000010	Lockup Lever Stainless Steel
4	2	411041008X	Stainless Steel Hex Locknut 6S UNI 7474 M
5	2	411002049X	Screw TE Stainless Steel UNI 5739 M8 x 25
6	4	411002035X	Screw TE Stainless Steel UNI 5739 M6 x 25
7	8	411041006X	Stainless Steel Hex Locknut 6S UNI 7474 M6
8	1	231000465A	Support Conveyor
9	1	411090002	Female Knob D.40 Thread M8 x 15
10	1	411090003	Female Knob D.55 Thread M8 x 20
11	1	231000446	Stainless Steel Top Selvage Conveyor
12	1	231000447	Stainless Steel Lower Selvage Conveyor
13	2	444000001	Nylon Hinge
14	8	411065004X	Plain Washer Stainless Steel UNI 6592 d.6
15	6	411066016X	Plain Washer Stainless Steel UNI 6592 d.8 x 24 x 2
16	1	411066024Z	Galvanized Plain Washer UNI 6592 d.10 x 40 x 2.5
17	4	411011042X	Screw TSPEI Stainless Steel 10.9 UNI 5933 M6 x 25
18	2	411070005X	Stainless Steel External Notched Washer UNI 8842A d.8
19	4	411076002Z	Galvanized Grip Clips Type R d.2 x 50

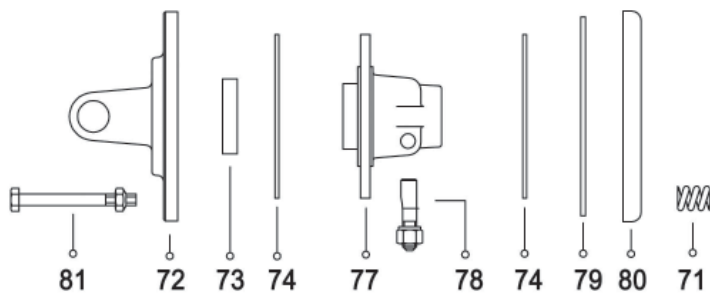
6.8 DRIVESHAFT



1



21



6.8 DRIVESHAFT (CONTINUED)

<u>REF.</u>	<u>QTY.</u>	<u>PART NO.</u>	<u>DESCRIPTION</u>
1	1	0800403	Yoke With Pushbutton 1 3/8" Z6
2	2	08204	Cross Journal Assembly 04 (27 x 74.6)
5	1	08004021	Outer Tube Yoke B4
8	1	098700860	Spring Pin 8 x 60
12*	1	09881433100	CM. 100 Cardan Tube 03-04 - 43 x 3 M1
13*	1	09881364100	CM. 100 Cardan Tube 03-36 x 4.5 M1
16	1	098700855	Spring Pin 8 x 55
17	1	08004011	Inner Tube Yoke B4
21	1	086104P60A	Torque Limiter LF1 Special
25	2	021904C001	Cone Shield Bell 03-04
26	1	025504C001	Outer Ring 03-04
27	1	025404C001	Outer Base Cone 03-04
28	6	0998052242	Screw 4.8 x 22
29	1	0988966B4108	Outer Safety Tube
30	1	0988961B4108	Inner Safety Tube
31	1	025404C002	Inner Base Cone 03-04
32	1	025504C002	Inner Ring 03-04
40	2	0252000001	Chain With Spring Catch 1-6
48	1	09872006	Label Danger Outer Drive Tube
49	1	09872010	External Shield Label
50	1	09872101	Instruction Booklet CE
51	1	0986014047	Complete Push Button 1 3/8" 14 x 47
71	8	09845236035	Spring D.6
72	1	086910104	Flange Yoke LF1X04
73	1	0981554125	Bushing
74	2	09833140	Friction Disc D.140
77	1	0869107P60	Hub With Flange LF1 P60
78	1	0986014075	Complete Push Button 1 3/8" 14 x 75
79	1	0869119	Inner Plate
80	1	0869112	Pressure Plate EST.LF1-LF3
81	8	099510085B	Bolt M10 x 085 With Nut
93	1	B4108CE2	Outer Half Shaft Complete With Shields
94	1	B4108CE124301	Inner Half Shaft Complete With Shields
97	1	083CE04108	Complete Safety Guard LF1-LF3

* Part number is for 1 meter, tubing supplied in 3 meter bars

7 LIMITED WARRANTY



GEARMORE, INC., warrants each new Gearmore product to be free from defects in material and workmanship for a period of twelve (12) months from date of purchase to the original purchaser. This warranty shall not apply to implements or parts that have been subject to misuse, negligence, accident, or that have been altered in any way.

Our obligation shall be limited to repairing or replacement of any part, provided that such part is returned within thirty (30) days from date of failure to Gearmore through the dealer from whom the purchase was made, transportation charges prepaid.

This warranty shall not be interpreted to render us liable for injury or damages of any kind or nature, direct, consequential or contingent, to person or property. This warranty does not extend to loss of crops, loss because of delay in harvesting or any other expenses, for any other reasons.

Gearmore in no way warrants engines, tires, or other trade accessories, since these items are warranted separately by these respective manufacturers.

Gearmore reserves the right to make improvements in design or changes in specification at any time, without incurring any obligations to owners or units previously sold.

Please be advised that all warranty work done by your dealer must be approved by Gearmore before work begins.

GEARMORE, INC.
13477 Benson Ave.
Chino, CA 91710

Always refer to and heed machine operating warning decals on machine.

The serial number of this product is stored in our computer database, thus submitting a warranty registration card is not required.