



ROTARY HARROW

**Operation/Parts Manual
Models
GRH & GRH-B**

April 2006

TABLE OF CONTENTS

Introduction/Assembly	1
Parts Breakdown - GRH	2
Parts List - GRH	3
Parts Breakdown - GRH-B	4
Parts List - GRH-B	5 - 6
Limited Warranty	7

Date of Purchase: _____

Model Number: _____

Serial Number _____

INTRODUCTION

We welcome you as an owner of a Gearmore Rotary Harrow. Please read this manual carefully and follow the instructions to get the most value out of this product.

ASSEMBLY INSTRUCTIONS

When you receive your Rotary Harrow, hook it to your tractor using the top link - tilt the harrow back approximately 1" to 2". Looking at the back of your tractor, the right lift arm is adjustable. Lower the right side of the harrow approximately 3". This will cause the harrow to spin clockwise and throw dirt to the left. One or two turns on your adjustments can make a lot of difference, so it is something you need to play with, as each application is a little different

When you are working the arena, start down the middle and ***always*** turn to the right so you drag the low side with you instead of forcing it to the ground. Stay about 3' from the fence line. After you have worked the entire arena, go counter clockwise, laying the low side against the fence, throwing all the dirt back into the middle.

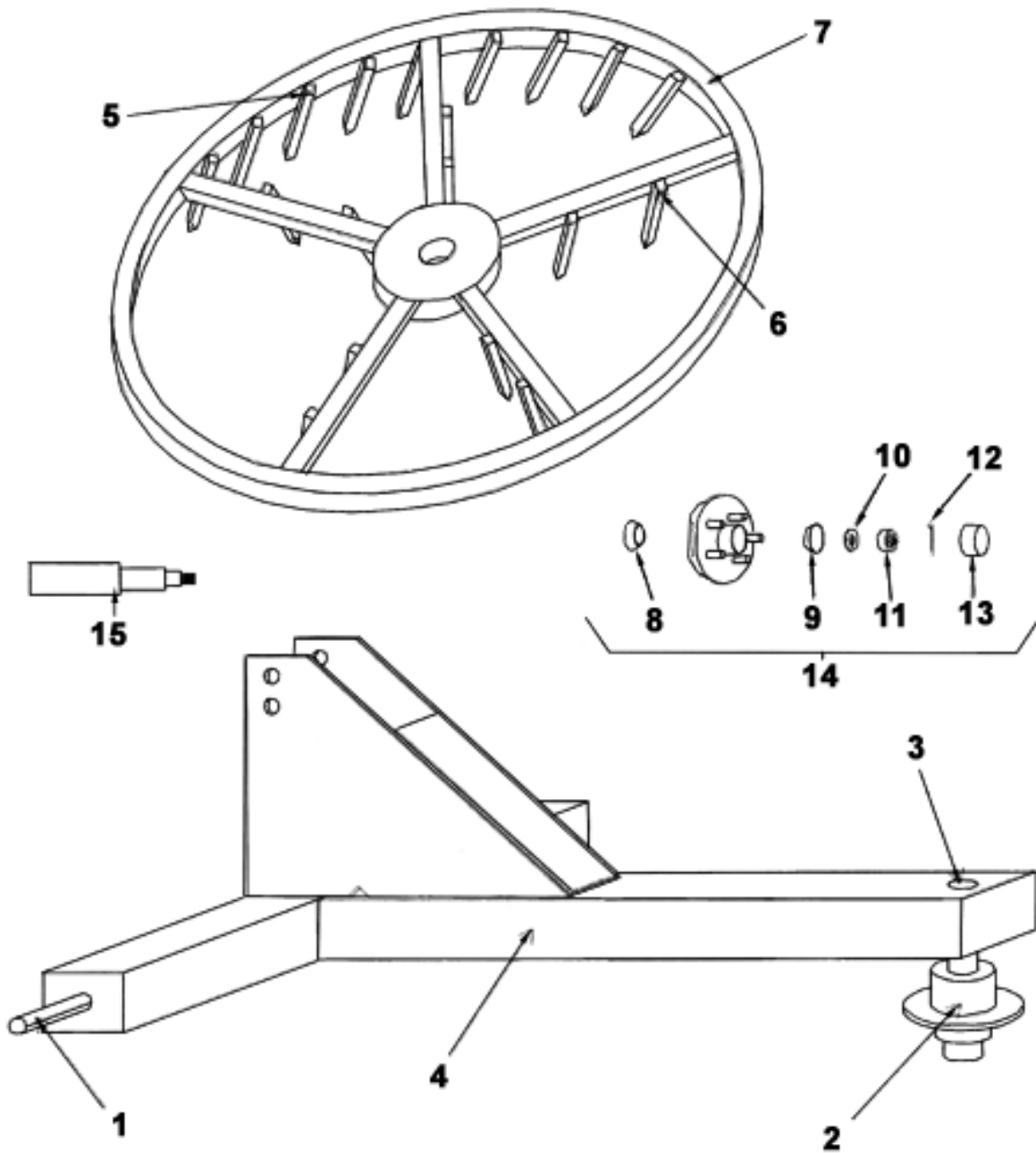
Your Rotary Harrow is equipped with a sealed bearing hub. Repack bearings annually or every 100 hours of use. ***Always*** make sure the dust cap is on, keeping dust and sand out of the bearings.

GRH-B BOLT ON ROTARY HARROW SPIKE INSTALLATION INSTRUCTIONS

1. Thread bolts provided with jam nuts into spike pockets.
2. Align dimples in spikes with the end of the bolts inserted into spike pockets.
3. Tighten bolts and torque to between 35 and 45 ft./lbs.
4. Tighten jam nuts to lock bolt into position.
5. Re-tighten bolts to specified torque after 1 or 2 hours of usage.

****DO NOT over tighten bolts or damage to spike pockets may occur.***

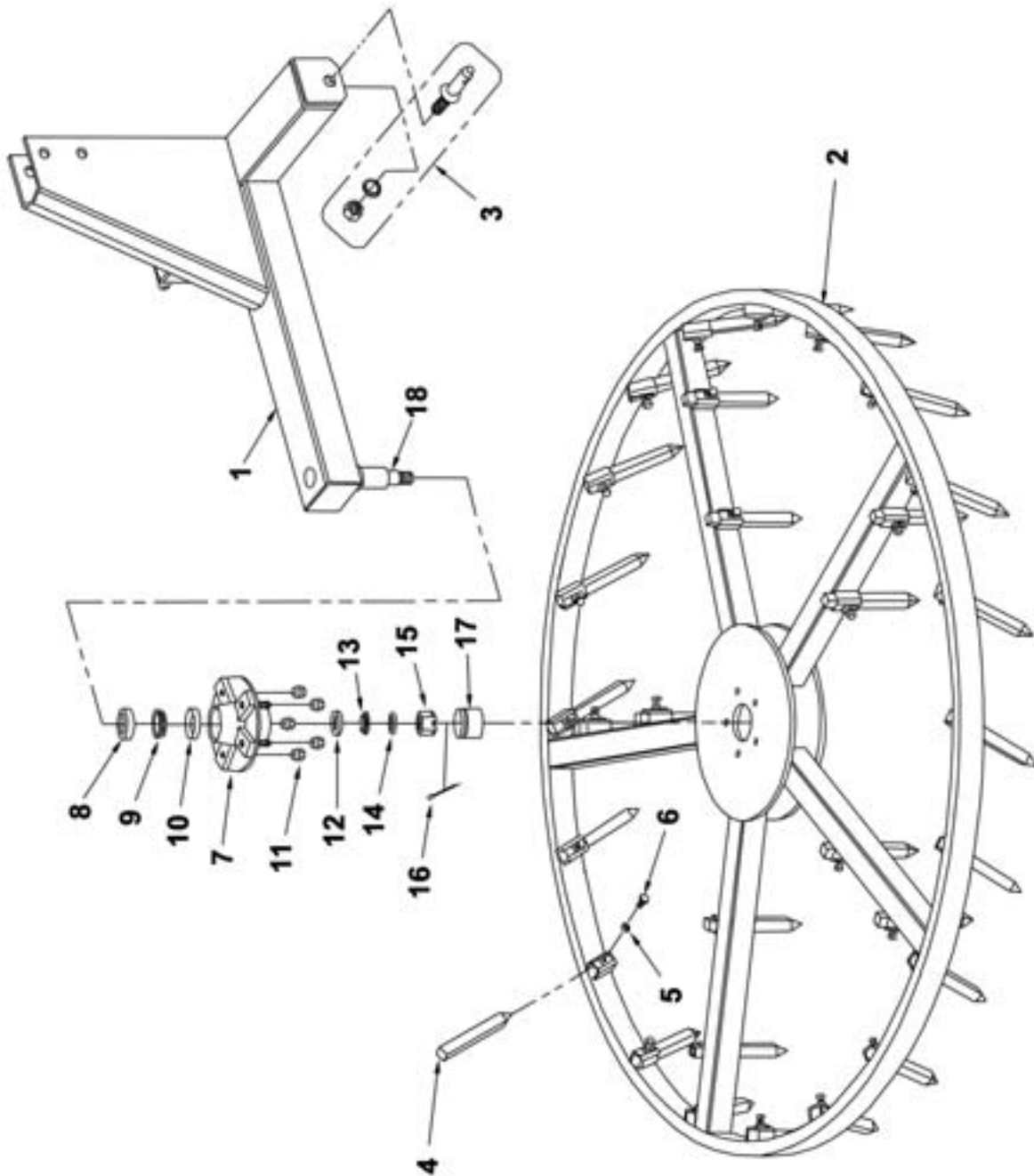
PARTS BREAKDOWN GRH VERSION



PARTS LIST GRH VERSION

<u>REF. #</u>	<u>QTY.</u>	<u>PART NO.</u>	<u>DESCRIPTION</u>
1	1	CH-0010	3-Point Hitch Pin
2	1	CH-0011	5 Bolt Ag. Hub, 5' & 6' Models
2	1	CH-0013	6 Bolt Ag. Hub, 7' & 8' Models
3	1	CH-0014	Ag Spindle, 5' & 6' Models
3	1	CH-0019	Ag Spindle, 7' & 8' Models
4	1	CH-0015	5' Circle Harrow A-frame
4	1	CH-0016	6' Circle Harrow A-frame
4	1	CH-0017	7' Circle Harrow A-frame
4	1	CH-0018	8' Circle Harrow A-frame
5	20	CH-0021	3/4" x 8" Replacement Spike - 5' Model
5	25	CH-0021	3/4" x 8" Replacement Spike - 6' Model
5	36	CH-0021	3/4" x 8" Replacement Spike - 7' Model
5	44	CH-0021	3/4" x 8" Replacement Spike - 8' Model
6	10	CH-0020	3/4" x 7" Replacement Spike - 5' & 6' Models
6	18	CH-0020	3/4" x 7" Replacement Spike - 7' & 8' Models
7	1	CH-0025	5' Circle w/Spikes
7	1	CH-0026	6' Circle w/Spikes
7	1	CH-0027	7' Circle w/Spikes
7	1	CH-0028	8' Circle w/Spikes
8	1	CH-0029	5' & 6' Hub Inner Bearing
8	1	CH-0035	7' & 8' Hub Inner Bearing
9	1	CH-0030	5' & 6' Hub Outer Bearing
9	1	CH-0036	7' & 8' Hub Outer Bearing
10	1	CH-0031	5' & 6' Hub Washer
10	1	CH-0037	7' & 8' Hub Washer
11	1	CH-0032	5' & 6' Hub Nut
11	1	CH-0038	7' & 8' Hub Nut
12	1	CH-0033	5' & 6' Hub Cotter Key
12	1	CH-0039	7' & 8' Hub Cotter Key
13	1	CH-0034	5' & 6' Hub Grease Cap
13	1	CH-0040	7' & 8' Hub Grease Cap
14	1	CH-0011	5' & 6' Hub Complete
14	1	H-35660F	7' & 8' Hub Complete
15	1	CH-0014	5' & 6' Spindle
15	1	S-3500F	7' & 8' Spindle

PARTS BREAKDOWN GRH-B VERSION



PARTS LIST GRH-B VERSION

<u>REF. #</u>	<u>QTY.</u>	<u>PART NO.</u>	<u>DESCRIPTION</u>
1	1	CH-0015	5' A-Frame
1	1	CH-0016	6' A-Frame
1	1	CH-0017	7' A-Frame
1	1	CH-0018	8' A-Frame
2	1	CH-0025	5' Ring
2	1	CH-0026	6' Ring
2	1	CH-0027	7' Ring
2	1	CH-0028	8' Ring
3	2	CH-0010	P-728 Hitch Pin
4	As Req'd*	CH-0007	3/4" Spike (560240)
5	As Req'd*	CH-0008	3/8" x 1" NC Gr. 5 Cap Screw
6	As Req'd*	CH-0009	3/8" NC Jam Nut
7	1	CH-0011	5 Bolt Ag. Hub Complete (5' & 6' Models)
7	1	CH-0013	6 Bolt Ag. Hub Complete (7' & 8' Models)
8	1	CH-0041	5' & 6' Hub Seal (SL-173)
8	1	CH-0044	7' & 8' Hub Seal (SL-200)
9	1	CH-0029	5' & 6' Hub Inner Bearing (L68149)
9	1	CH-0035	7' & 8' Hub Inner Bearing (LM501349)
10	1	CH-0050	5' & 6' Hub Inner Race (L68111)
10	1	CH-0052	7' & 8' Hub Inner Race (LM501310)
11	5	CH-0042	5' & 6' Hub 9/16" NF Lug Nut
11	6	CH-0045	7' & 8' Hub 1/2" NF Lug Nut
12	1	CH-0051	5' & 6' Hub Outer Race (L64610)
12	1	CH-0053	7' & 8' Hub Outer Race (LM67010)
13	1	CH-0030	5' & 6' Hub Outer Bearing (L44649)
13	1	CH-0036	7' & 8' Hub Outer Bearing (LM67048)
14	1	CH-0031	5' & 6' Hub Washer
14	1	CH-0037	7' & 8' Hub Washer
15	1	CH-0032	5' & 6' Spindle Nut
15	1	CH-0038	7' & 8' Spindle Nut
16	1	CH-0033	5' & 6' Hub Cotter Pin
16	1	CH-0039	7' & 8' Hub Cotter Pin
17	1	CH-0034	5' & 6' Hub Grease Cap (DEX 021-003-00)
17	1	CH-0040	7' & 8' Hub Grease Cap (RTM 1604)
18	1	CH-0014	5' & 6' Ag Spindle
18	1	CH-0019	7' & 8' Ag Spindle

PARTS LIST GRH-B VERSION

DECALS

<u>QTY.</u>	<u>PART NO.</u>	<u>DESCRIPTION</u>
1	SIZE-5	5' Size Decal (Not Shown)
1	SIZE-6	6' Size Decal (Not Shown)
1	SIZE-7	7' Size Decal (Not Shown)
1	SIZE-8	8' Size Decal (Not Shown)
2	RHE-0421	Arena-Harrow decal (Not Shown)
1	CAUT-001	Caution Decal (Not shown)
1	WARN-001	Warning Decal (Not Shown)

*SPIKE QUANTITY CHART

SIZE	NUMBER OF 3/4" SPIKES	NUMBER OF 3/8" x 1" NC Gr. 5 CAPSCREW	NUMBER OF 3/8" NC JAM NUTS
5 Foot	30	30	30
6 Foot	35	35	35
7 Foot	48	48	48
8 Foot	60	60	60

LIMITED WARRANTY



GEARMORE, INC., warrants each new Gearmore product to be free from defects in material and workmanship for a period of twelve (12) months from date of purchase to the original purchaser. This warranty shall not apply to implements or parts that have been subject to misuse, negligence, accident, or that have been altered in any way.

Our obligation shall be limited to repairing or replacement of any part, provided that such part is returned within thirty (30) days from date of failure to Gearmore through the dealer from whom the purchase was made, transportation charges prepaid.

This warranty shall not be interpreted to render us liable for injury or damages of any kind or nature, direct, consequential or contingent, to person or property. This warranty does not extend to loss of crops, loss because of delay in harvesting or any other expenses, for any other reasons.

Gearmore in no way warrants engines, tires, or other trade accessories, since these items are warranted separately by these respective manufacturers.

Gearmore reserves the right to make improvements in design or changes in specification at any time, without incurring any obligations to owners or units previously sold.

GEARMORE, INC.
13477 Benson Ave.
Chino, CA 91710

Always refer to and heed machine operating warning decals on machine.

The serial number of this product is stored in our computer database, thus submitting a warranty registration card is not required.