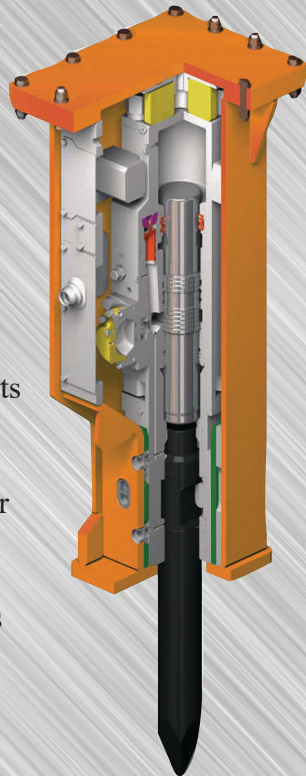




PALADIN™
POWERFUL ATTACHMENT TOOLS

STRIKEFORCE HYDRAULIC BREAKERS

LOW COST, HIGH PRODUCTION BREAKERS



KEY POINTS:

- Only 2 moving parts
- Gas fired
- Auto shut-off
- Large tool diameter
- Shock isolation
- Noise reduction
- Durable side plates and housings
- 2 Year warranty

Paladin's new Strike Force Breakers provide exceptional performance and reliability for a variety of demolition tasks. From small excavation projects to the toughest demolition jobs, Paladin's Strike Force Breaker series has a smooth, powerful operation for maximum output energy and efficiency. Strike Force Small Mounted Breakers are ideal for mini excavators, skid steer loaders and compact backhoes for jobs that need a high breaking capacity. These breakers are the safe and efficient solution for road maintenance, urban demolition and building refurbishment.



Distributed by:

 **GEARMORE INC.**

13477 Benson Ave. • Chino, CA 91710
Ph: 909/548-4848 • Fax: 909/548-4747

www.gearmore.com • sales@gearmore.com

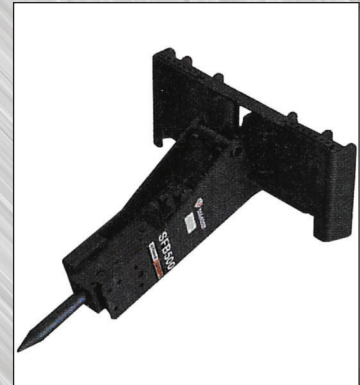


PALADIN™
POWERFUL ATTACHMENT TOOLS

STRIKE FORCE™
BY PALADIN
BREAKERS

FEATURES:

- Two popular sizes - 500 or 750 foot/pounds of impact energy
- Piston and cylinder designed to transfer high shockwaves
- Unique as breakers have only two moving parts
- Very easy to service and maintain
- 4 Different tool points are available -moil is standard, options are - chisel, cone and blunt
- All breakers come standard with 2moil tools and extra seal kit
- Mounting brackets are available for skid steer, mini excavators and compact backhoes



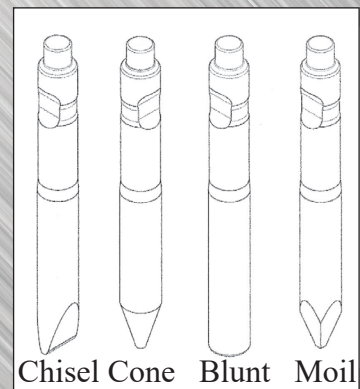
Breaker shown with skid steer mount

	SFB500	SFB750
Working weight	637	747
Impact energy class	500	750
Impact rate (blows/min.)	640-1470	620-1150
Operating pressure (PSI)	1595-2120	1565-2175
Relief pressure (PSI)	2320-2610	2320-2610
Oil flow (gal./min.)	10.0-21.9	11.9-21.9
Tool diameter (inches)	2.63	2.67
Pressure line size (inches)	3/4	3/4
Return line size (inches)	3/4	3/4
Carrier weight excavator (lbs.)	5070-13,227	7054-15,873



Breaker in action skid steer mount

Your Gearmore Dealer:



Model No.	Description	Ft / Lbs Energy	Weight
SFB500	Hydraulic breaker <u>less</u> mounting bracket	500	637#
SFB750	Hydraulic breaker <u>less</u> mounting bracket	750	747#

Specifications Subject To Change Without Notice

13477 Benson Ave. • Chino, CA 91710 • Ph: 909/548-4848 • Fax: 909/548-4747