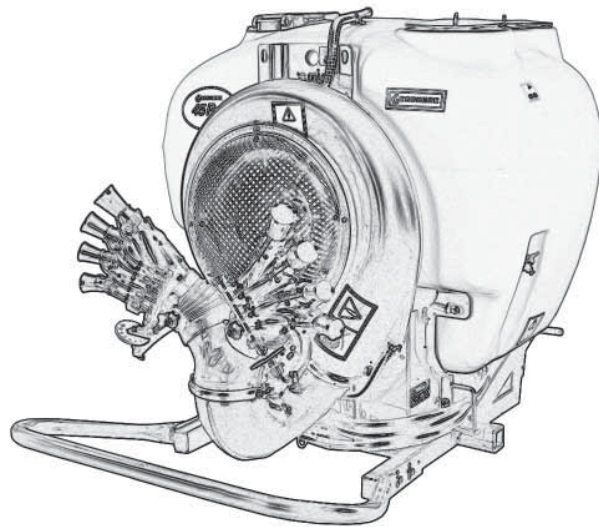


GEARMORE INC.

VENTURI AIR SPRAYERS



**Parts Manual For
Model P45N1-400-G15
100 Gallon Capacity**

June 2013

TABLE OF CONTENTS

| <u>SECTION</u> | <u>DESCRIPTION</u> | <u>PAGE</u> |
|----------------|---------------------------------------|---------------|
| 1 | Introduction | 1 |
| 1.1 | Purchaser's Responsibility | 1 |
| 1.2 | Serial Number Information | 1 |
| 2 | Replacement Parts | 2 - 31 |
| 2.1 | Frame Assembly..... | 2-3 |
| 2.2 | Tank & Fittings | 4-5 |
| 2.3 | Hand Cleaner Tank | 6-7 |
| 2.4 | Tank & Fittings | 8 |
| 2.5 | Hand Cleaning Tank & Fittings | 9 |
| 2.6 | Fan Assembly | 10 |
| 2.7 | Fan Support & Belt Tensioner | 11 |
| 2.8 | Fan Support Breakdown..... | 12-13 |
| 2.9 | Tension Roller | 14 |
| 2.10 | Lubrication Tubes..... | 15 |
| 2.11 | Clutch & Pulley | 16 |
| 2.12 | Fan Support Housing..... | 17 |
| 2.13 | Liquid Flow Path | 18-20 |
| 2.14 | Pressure Regulator & 3 Way Valve..... | 21 |
| 2.15 | Inline Filters..... | 22 |
| 2.16 | Pump Assembly | 23-24 |
| 2.17 | Liquid Valves | 25-26 |
| 2.18 | Optional Liquid Valves | 27-28 |
| 2.19 | Optional Control Switch | 29 |
| 2.20 | Drive Assembly..... | 30 |
| 2.21 | Driveshaft Assembly | 31 |
| 3 | Limited Warranty | 32 |

1 INTRODUCTION

This manual contains parts diagrams and replacement parts lists. Do not modify the equipment in any way. Unauthorized modification may impair the function and/or safety and could affect the life of the equipment.

It is the responsibility of the owner to make sure the machine is maintained properly, and that all parts are in working order.

Where replacement parts are necessary for periodic maintenance and servicing, genuine factory replacement parts ***MUST*** be used to restore your equipment to original specifications. The manufacturer will not be responsible for injuries or damages caused by use of unapproved parts and/or accessories.

The manufacturer reserves the right to make improvements to the machinery and parts at any time and at their discretion.

OPERATOR ORIENTATION - The directions left, right, front and rear, are as seen from the driver's seat and facing in the direction of travel.

1.1 PURCHASER'S RESPONSIBILITY

It is the responsibility of the purchaser and/or operator to.....

- Inspect the equipment and replace or repair any parts that are damaged or worn which under continued operation would cause damage, wear to other parts, or cause a safety hazard.
- Return the equipment or parts to the authorized dealer, from where it was purchased, for service or replacement of defective parts that are covered by warranty. (The factory may inspect equipment or parts before warranty claims are honored.)
- Payment of all costs incurred by the dealer for travelling to or transporting the equipment for warranty inspection and or claims.

1.2 MODEL / SERIAL NUMBER

NAME: _____

PURCHASED FROM: _____

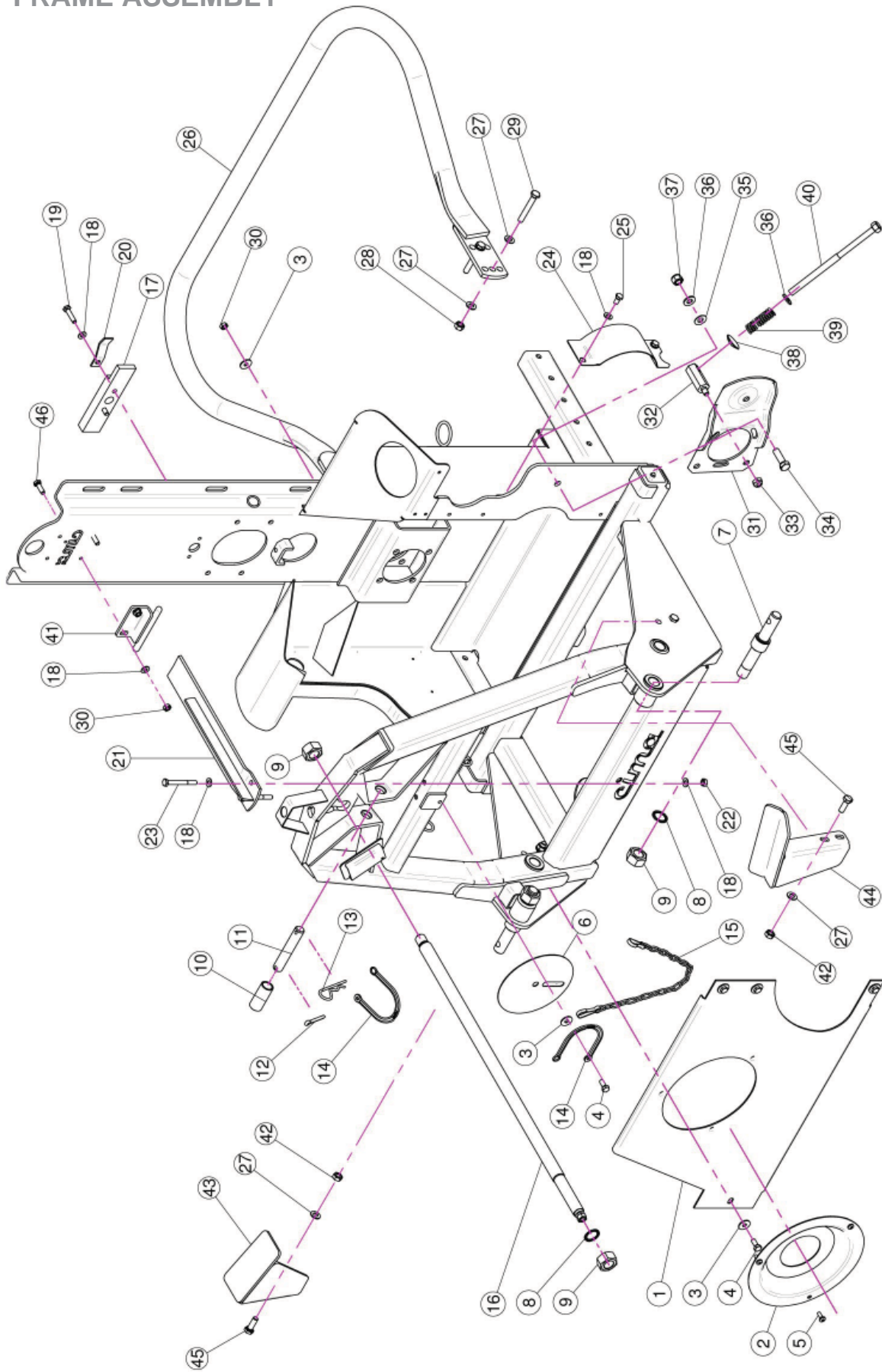
DATE OF PURCHASE: _____

MODEL NUMBER: P45N1-400-G15

SERIAL NUMBER: 130328

2 REPLACEMENT PARTS

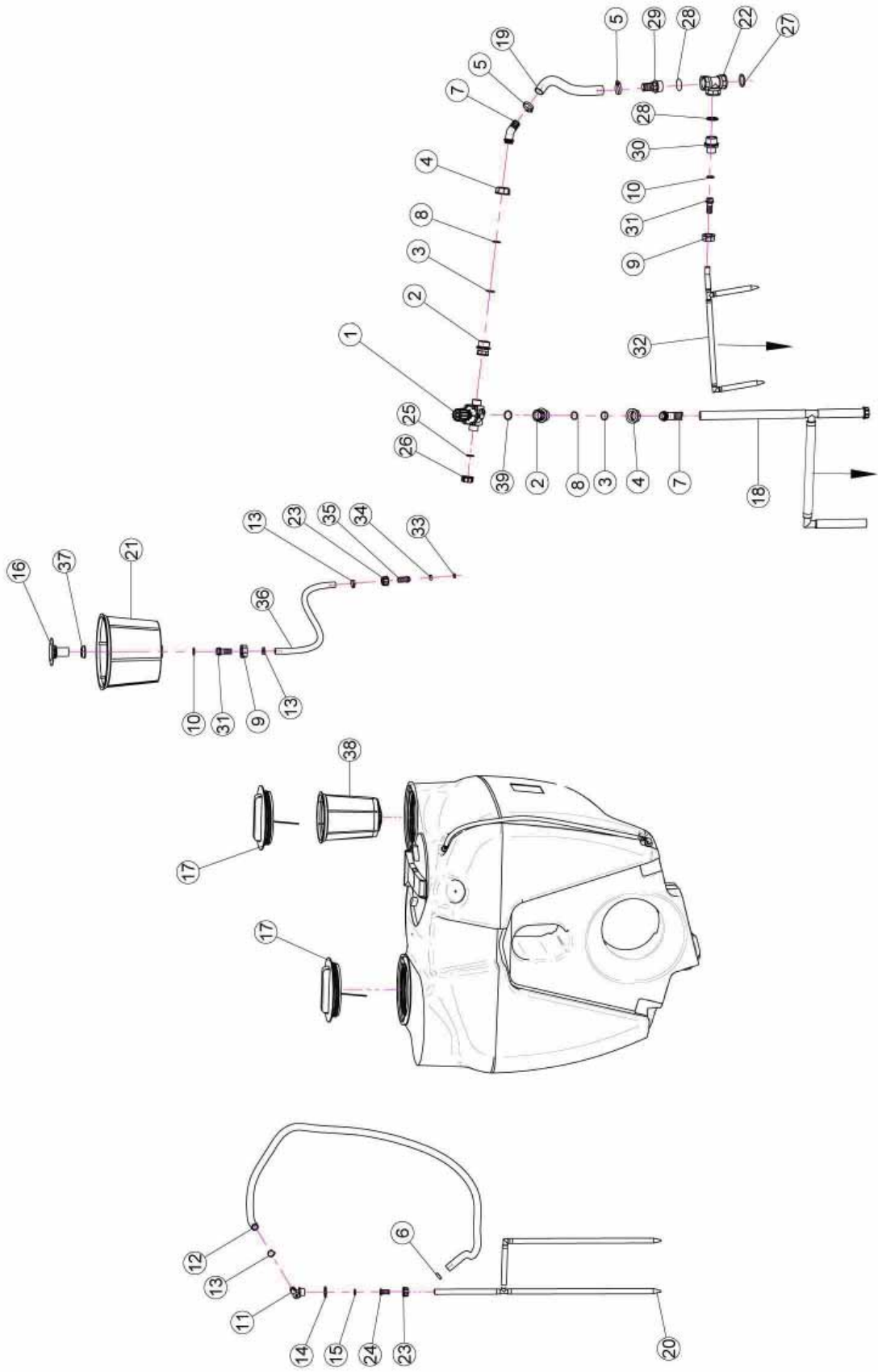
2.1 FRAME ASSEMBLY



2.1 FRAME ASSEMBLY

| <u>REF.</u> | <u>QTY.</u> | <u>PART NO.</u> | <u>DESCRIPTION</u> |
|-------------|-------------|-----------------|------------------------------|
| 1 | 1 | 40.227.002 | Protection Plate |
| 2 | 1 | 20.434.000 | Fixing Cover |
| 3 | 6 | RP.008.024 | Washer D.8 x 24 |
| 4 | 2 | TE.008.020T | Screw TE 8 x 20 |
| 5 | 3 | TCC.06.16 | Cross Slotted Screw M6 x 16 |
| 6 | 1 | 20.861.000 | Disengaged Protection Disk |
| 7 | 2 | 04.064.001 | Pin Power Lift |
| 8 | 3 | RD.022.000 | Tab Washer D.22 |
| 9 | 4 | D0.22.5588F | Nut M22 x 1.5 |
| 10 | 1 | 20.778.000 | Bush |
| 11 | 1 | 04.076.000 | Pin |
| 12 | 1 | CP.006.040I | Pin D.6 Lg.40 |
| 13 | 1 | 00.100.004 | Split Pin D.4 |
| 14 | 2 | 21.183.000 | Cap Stop |
| 15 | 1 | 04.111.045 | Chain |
| 16 | 1 | 20.754.101 | Tie Rod |
| 17 | 1 | 20.737.101 | Plate For Rod M20 |
| 18 | 10 | RP.008.000 | Washer D.8 |
| 19 | 2 | TE.008.035T | Screw TE M8 x 35 |
| 20 | 1 | 20.791.000 | Plate |
| 21 | 1 | 20.744.000 | Fixing Tank Plate |
| 22 | 2 | D0.08.5588G | M8 6S Big Lead Nut 5588 |
| 23 | 2 | TE.008.070 | Screw TE M8 x 70 |
| 24 | 1 | 20.743.000 | Save Pulley Plate |
| 25 | 5 | TE.008.016T | Screw TE M8 x 16 |
| 26 | 1 | 40.000.000 | Bumper |
| 27 | 12 | RP.010.000 | Washer D.10 |
| 28 | 4 | D0.10.5587G | Nut M10 |
| 29 | 4 | TE.010.070T | Screw TE 10 x 70 |
| 30 | 3 | D0.08.5588G | Nut M8 |
| 31 | 1 | 02.978.000SX | Bracket |
| 32 | 1 | 02.963.100 | Pin Belt Stretcher Pump CD32 |
| 33 | 1 | DA.010.0BG | Self Locking Nut M10 |
| 34 | 1 | TE.012.040T | Bolt TE M12 x 40 |
| 35 | 1 | MT.012.000 | Washer D.12 |
| 36 | 2 | RP.012.000 | Washer D.12 |
| 37 | 1 | DA.012.0AG | Nut M12 |
| 38 | 1 | 21.113.000 | Washer D.12 x 36 |
| 39 | 1 | 02.964.000 | CD 32 Pump Spring |
| 40 | 1 | 20.738.000 | Lever M12 For Belt Stretcher |
| 41 | 1 | 40.403.000 | Tank Block |
| 42 | 4 | D0.10.5588G | M10 6S Big Lead Nut 5588 |
| 43 | 1 | 50.395.100 | Tank 400 Lt. Right Support |
| 44 | 1 | 50.396.100 | Tank 400 Lt. Left Support |
| 45 | 4 | TE.010.030T | Screw TE M10 x 30 |
| 46 | 2 | TE.008.025T | Screw TE M8 x 25 |

2.2 TANK & FITTINGS

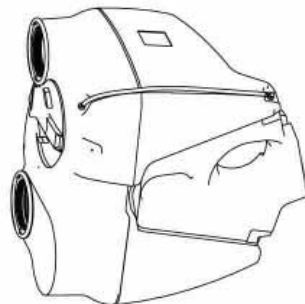
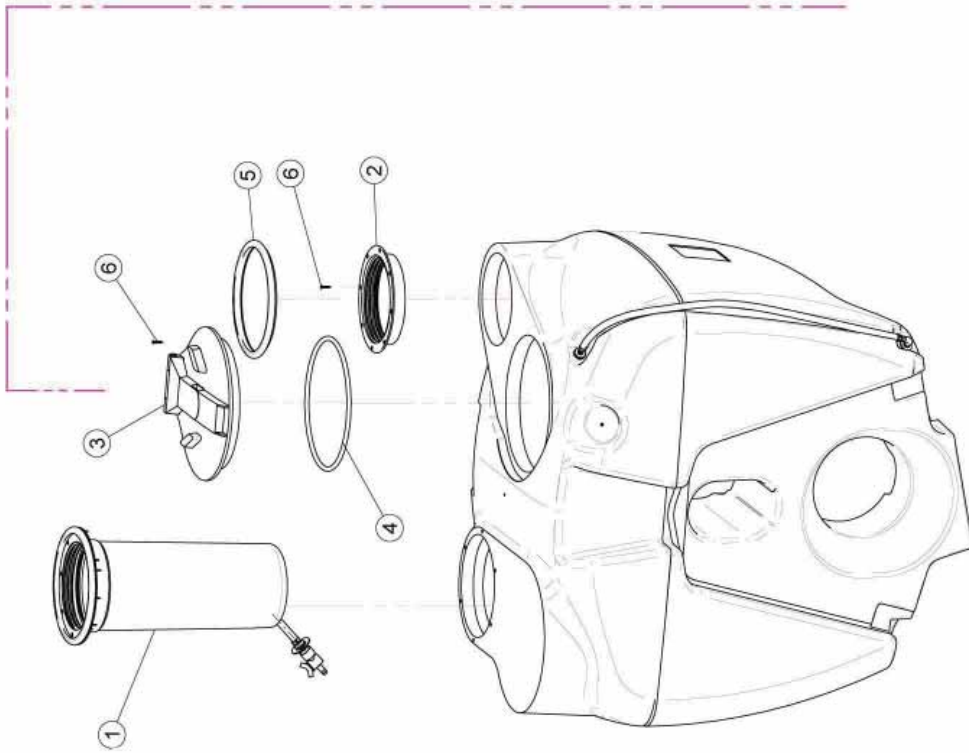
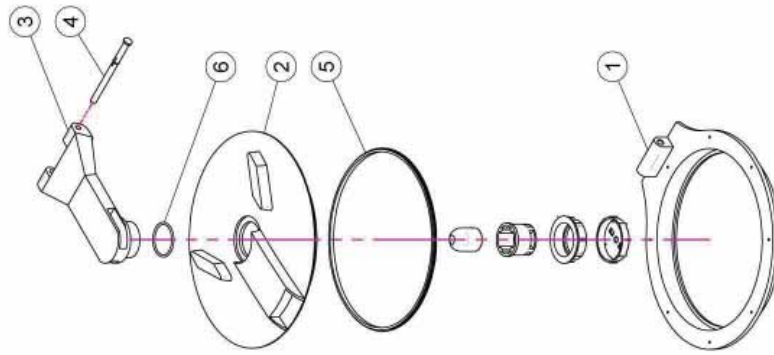


2.2 TANK & FITTINGS

| <u>REF.</u> | <u>QTY.</u> | <u>PART NO.</u> | <u>DESCRIPTION</u> |
|-------------|-------------|-----------------|------------------------------------|
| 1 | 1 | 02.447.300 | Three Way Regulation Valve |
| 2 | 2 | 02.374.000 | M/F 1" F / 1" 1/4M Reduction |
| 3 | 2 | OR.003.112 | O-Ring D.28.24 x 2.62 |
| 4 | 2 | 00.493.000 | 1" 1/4 Fly Nut |
| 5 | 2 | F0.025.040I | Stainless Steel Cup |
| 6 | 1 | FC.022.5.024 | Hose Clamp 22.5 - 24 |
| 7 | 2 | 02.339.000 | 45° Hosetail |
| 8 | 2 | OR.003.106 | O-Ring D.26.65 x 2.62 |
| 9 | 2 | 00.055.24.2 | 1" Fly Nut |
| 10 | 2 | OR.000.132 | 23.81 x 2.62 O-Ring Gasket |
| 11 | 1 | 02.135.100 | Complete Short Piston Valve |
| 12 | 1 | 02.372.000 | Hose D.19 L=1800 (Per Foot) |
| 13 | 3 | FC.023.5.025 | Hose Clamp 23.5 - 25 |
| 14 | 1 | 02.032.000 | Gasket D.26 x 40 SP.2 |
| 15 | 1 | 02.349.000 | 17 x 23 x 3 Flat Gasket |
| 16 | 1 | 00.131.000 | 1" Vortix Damper Drive |
| 17 | 2 | 02.476.100 | Threaded Lid D.255 With Rope |
| 18 | 1 | 21.394.100 | Mixing Pipes From Regulation Valve |
| 19 | 1 | 02.238.000 | Hose D.30 L=440 (Per Foot) |
| 20 | 1 | 21.380.400 | Pneumatic Agitator |
| 21 | 1 | 00.646.010 | Basket Filter D.302 x 254 |
| 22 | 1 | 24.075.000 | 1 1/4" Female T Threaded Union |
| 23 | 2 | 00.055.045 | 3/4" Fly Nut |
| 24 | 1 | 21.392.000 | Hosetail D.16 |
| 25 | 1 | 24.100.000 | Gasket D.30 x 3 |
| 26 | 1 | TF.001.000 | Packing |
| 27 | 1 | OR.006.162 | O-Ring Gasket 40 x 5 |
| 28 | 2 | OR.000.144 | O-Ring D.39.69 x 3.53 |
| 29 | 1 | 00.423.000 | Male Connector RH30 1" 1/4 GAS |
| 30 | 1 | 00.045.012 | 1" 1/4M - 1"M Reducer Nipple |
| 31 | 2 | 00.055.022 | Straight Hose R.H. D.19 |
| 32 | 1 | 21.393.000 | Mixing Hose From Pump |
| 33 | 1 | OR.000.117 | 13.1 x 18.34 x 2.62 O-Ring Gasket |
| 34 | 1 | OR.000.121 | 15.88 x 2.62 O-Ring Gasket |
| 35 | 1 | 21.184.000 | Straight Union 3/4" R.H. 20 |
| 36 | 1 | 02.372.000 | Hose D.19 L=600 (Per Foot) |
| 37 | 1 | 00.542.000 | Nut 1" |
| 38 | 1 | 02.298.000 | Basket Filter D.204 |
| 39 | 1 | OR.004.118 | 29.75 x 3.53 O-Ring Gasket |

2.3 HAND CLEANING TANK & COVERS

20.787.000



2.3 HAND CLEANING TANK & COVERS

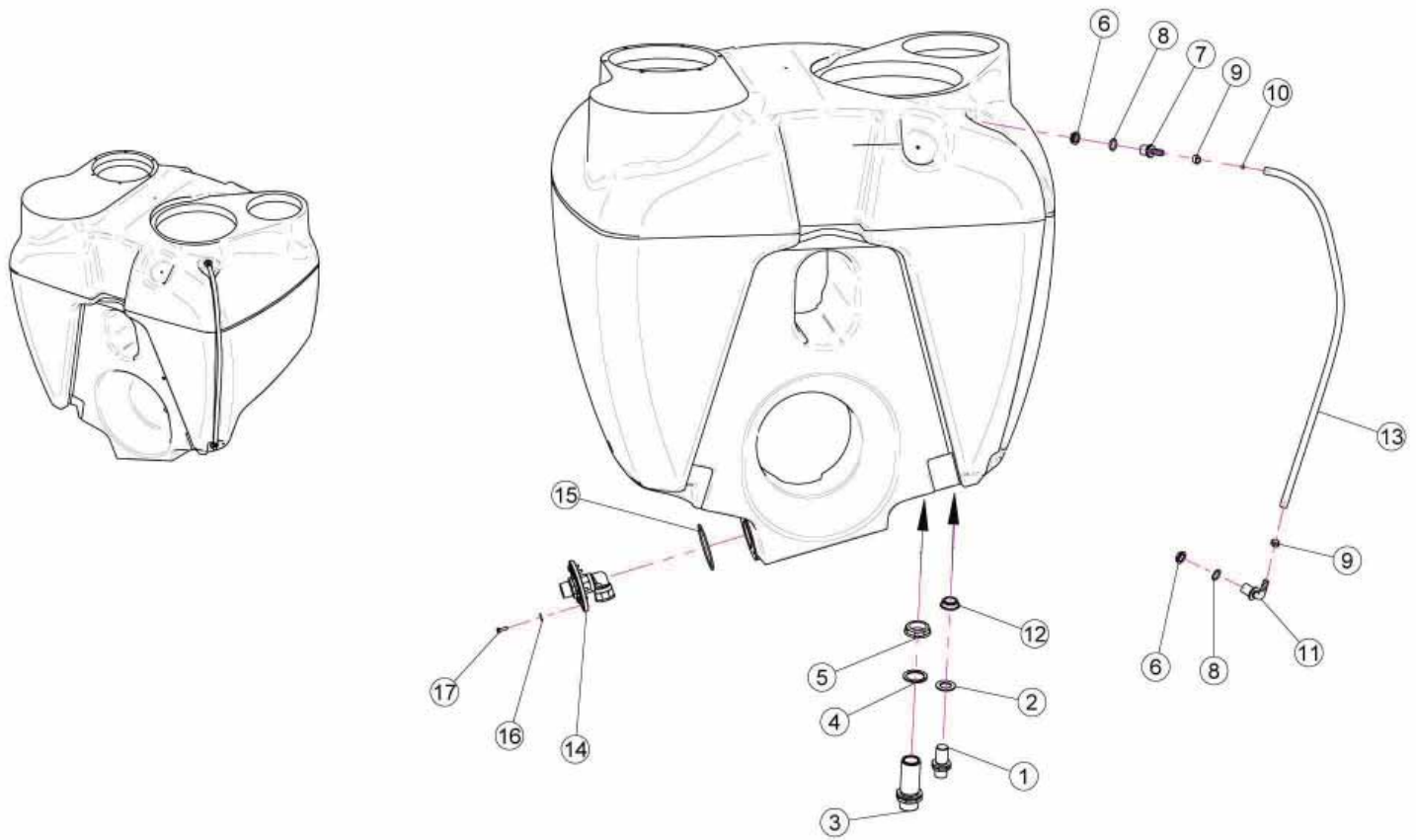
50.352.000

| <u>REF.</u> | <u>QTY.</u> | <u>PART NO.</u> | <u>DESCRIPTION</u> |
|-------------|-------------|-----------------|------------------------------|
| 1 | 1 | LAV.04.P15 | Kit Hand Cleaner Tank |
| 2 | 1 | 02.477.000 | Threaded Ring D.255 |
| 3 | 1 | 20.787.000 | Hinged Tank Lid |
| 4 | 1 | 20.787.000.L | Gasket |
| 5 | 1 | 02.477.000.A | Threaded Ring Gasket D.255 |
| 6 | 16 | TAS.04.2.025I | Self Threaded Screw 4.2 x 25 |

20.787.000

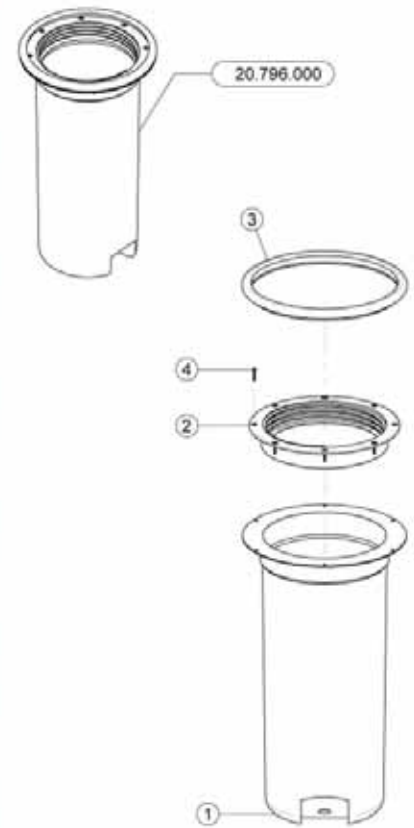
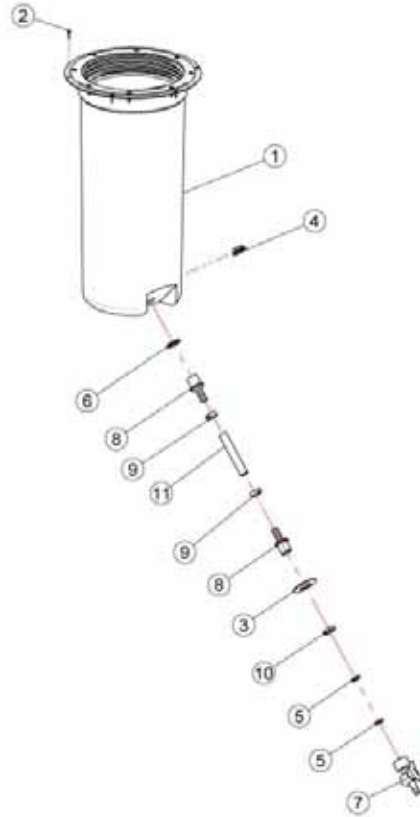
| <u>REF.</u> | <u>QTY.</u> | <u>PART NO.</u> | <u>DESCRIPTION</u> |
|-------------|-------------|-----------------|------------------------|
| 1 | 1 | 20.787.000.B | Base Ring |
| 2 | 1 | 20.787.000.A | Gripping Plate |
| 3 | 1 | 20.787.000.C | Arm |
| 4 | 1 | 20.787.000.D | Pin |
| 5 | 1 | 20.787.000.E | Shaped Gasket |
| 6 | 1 | OR.000.512 | 51 x 3.5 O-Ring Gasket |
| 7 | 1 | 20.787.000.F | Floating Ball |
| 8 | 1 | 20.787.000.G | Breather Valve |
| 9 | 1 | 20.787.000.H | Ring Nut |
| 10 | 1 | 20.787.000.I | Cap For Breather Valve |

2.4 TANK FITTINGS



| REF. | QTY. | PART NO. | DESCRIPTION |
|-------------|-------------|-----------------|---------------------------------|
| 1 | 1 | 02.380.100 | Nipple 3/4" |
| 2 | 1 | 02.032.000 | Gasket D.26 x 40 Sp.2 |
| 3 | 1 | 00.345.000 | Nipple 1" 1/4 + 1" 1/4 GAS |
| 4 | 1 | 02.033.000 | Gasket |
| 5 | 1 | 00.543.000 | Nut 1" 1/4 GAS |
| 6 | 2 | 02.458.000 | Lock Ring 1/2" |
| 7 | 1 | 02.482.000 | Hosetail Male Threaded 1/2" |
| 8 | 2 | OR.004.081 | 20.22 x 3.53 O-Ring Gasket |
| 9 | 2 | FC.016.5.018 | Hose Clamp 16.5 - 18 |
| 10 | 1 | 02.478.000 | Red Floating Ball D.8.5 |
| 11 | 1 | 02.457.000 | Hosetail D.13 90° M. 1/2" |
| 12 | 1 | 00.541.000 | Nut 3/4" |
| 13 | 1 | 02.378.000 | Hose D.12 x 16 L=850 (Per Foot) |
| 14 | 1 | 40.399.000 | Complete Vortex Damper |
| 15 | 1 | OR.004.400 | O-Ring D.101.2 x 3.53 |
| 16 | 6 | RP.006.018 | Washer D.6 x 18 |
| 17 | 6 | TE.006.020T | Screw TE M6 x 20 |

2.5 HAND CLEANING TANK & FITTINGS



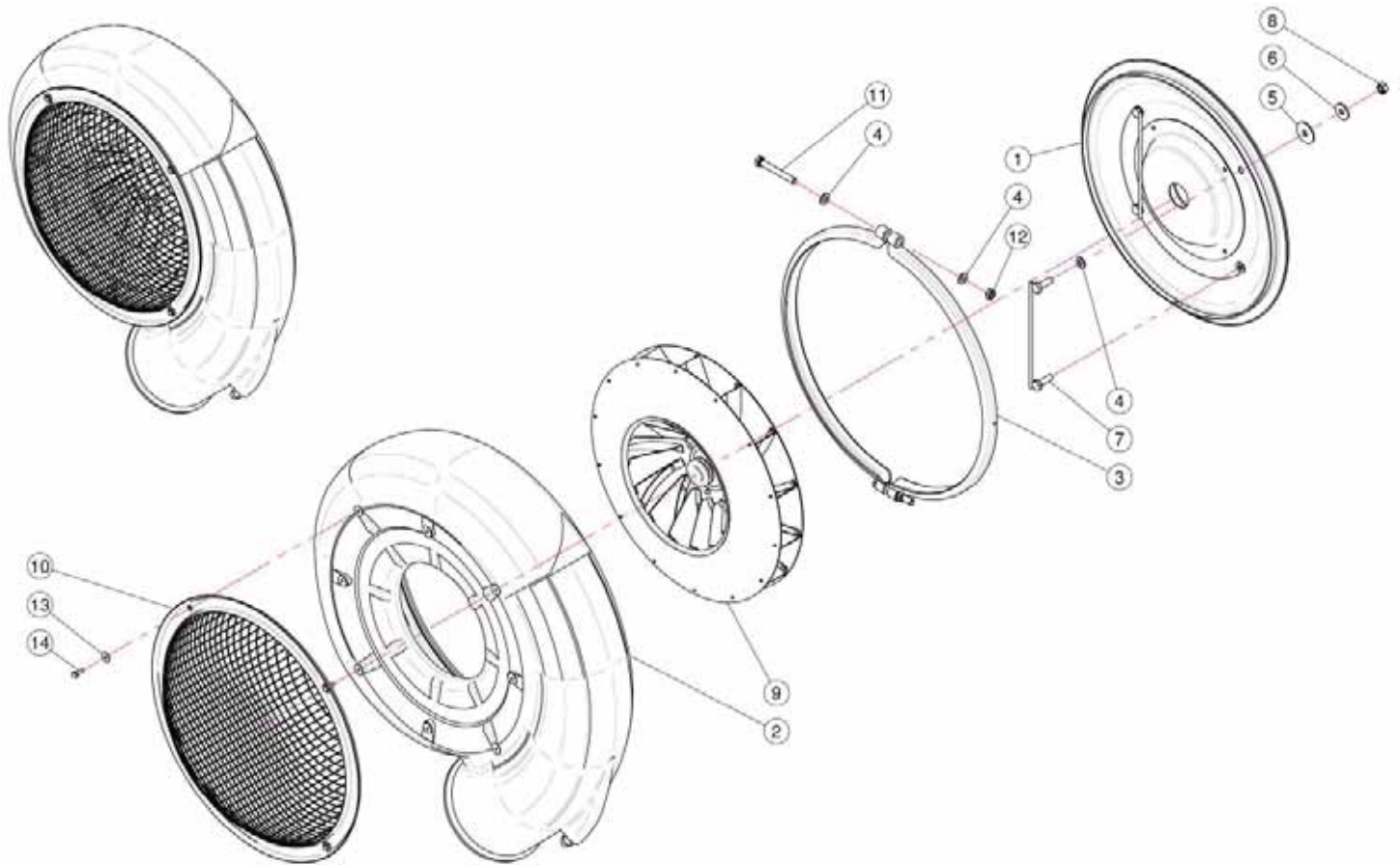
K.LAV.04.P15

| <u>REF.</u> | <u>QTY.</u> | <u>PART NO.</u> | <u>DESCRIPTION</u> |
|-------------|-------------|-----------------|-----------------------------|
| 1 | 1 | 20.796.000 | Hand Washing Tank Complete |
| 2 | 6 | TA.03.9.016I | Self Threaded D.3.9 x 16 |
| 3 | 1 | 20.801.000 | Special Washer D.25.5/52 |
| 4 | 1 | 02.458.000 | Lock Ring 1/2" |
| 5 | 2 | 20.769.000 | Gasket D.19.2/11.5 x 2.5 |
| 6 | 1 | 02.265.000 | Plane Gasket D.20/30 x 2.5 |
| 7 | 1 | 20.797.000 | Mini Valve G 1/2" F. |
| 8 | 2 | 02.482.000 | Hosetail Male Threaded 1/2" |
| 9 | 2 | FC.016.5.018 | Hose Clamp 16.5 - 18 |
| 10 | 1 | 24.072.000 | Brass Fly Nut 1/2" |
| 11 | 1 | 02.220.000 | Hose D.13 L=100 (Per Foot) |

20.796.000

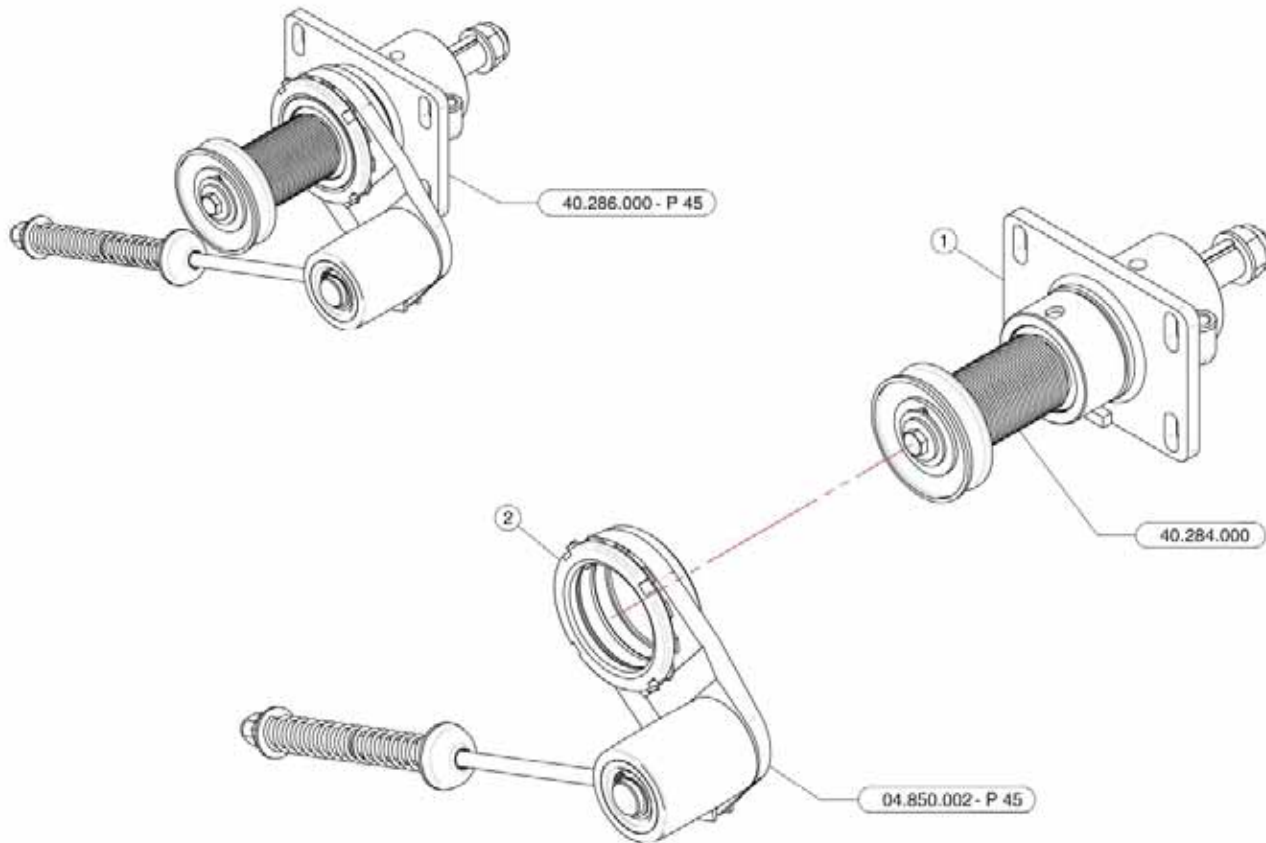
| <u>REF.</u> | <u>QTY.</u> | <u>PART NO.</u> | <u>DESCRIPTION</u> |
|-------------|-------------|-----------------|----------------------------|
| 1 | 1 | 20.796.000 | Hand Washing Tank Lt. 15 |
| 2 | 1 | 02.477.000 | Threaded Ring D.255 |
| 3 | 1 | 02.477.000.A | Threaded Ring Gasket D.255 |
| 4 | 8 | RV.4.0.020 | Rivet D.4 x 20 |

2.6 FAN ASSEMBLY



| <u>REF.</u> | <u>QTY.</u> | <u>PART NO.</u> | <u>DESCRIPTION</u> |
|-------------|-------------|-----------------|---------------------|
| 1 | 1 | 40.268.000 | Fan 45 Cover |
| 2 | 1 | 04.854.000 | 45 Fan Housing |
| 3 | 1 | 04.874.000.Z | D.485 Clamp |
| 4 | 8 | RP.010.000 | Washer D.10 |
| 5 | 4 | RP.010.040 | Washer D.10 x 40 |
| 6 | 4 | RP.010.030 | Washer D.10 x 30 mm |
| 7 | 2 | 20.088.000 | Back Cover Bracket |
| 8 | 4 | D0.10.5587G | Nut M10 |
| 9 | 1 | 04.720.000 | Fan 450 |
| 10 | 1 | 05.654.200 | Fan Net Protector |
| 11 | 2 | TE.010.080T | M10 x 80 Bolt |
| 12 | 2 | DOT.10.5587 | M10 Brass Nut |
| 13 | 4 | RP.006.018 | Washer D.6 x 18 |
| 14 | 4 | TE.006.016T | Screw TE M6 x 16 |

2.7 FAN SUPPORT & BELT TENSIONER



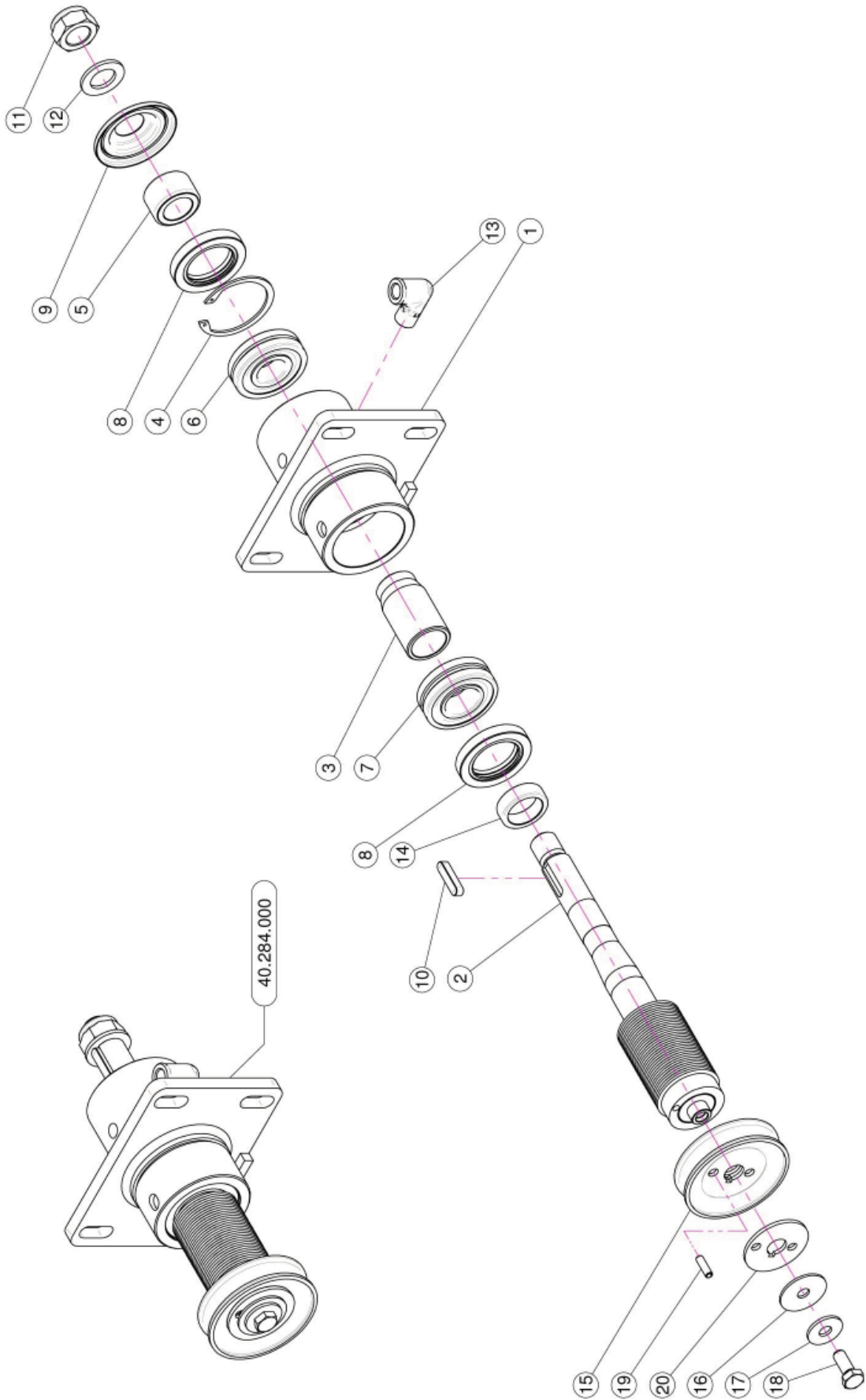
40.286.000

| <u>REF.</u> | <u>QTY.</u> | <u>PART NO.</u> | <u>DESCRIPTION</u> |
|-------------|-------------|-----------------|---|
| 1 | 1 | 40.284.000 | Fan Support - Pul D.54 No Disengagement |
| 2 | 1 | 04.850.002 | Automatic Belt Stretcher |

40.287.000

| <u>REF.</u> | <u>QTY.</u> | <u>PART NO.</u> | <u>DESCRIPTION</u> |
|-------------|-------------|-----------------|---|
| 1 | 1 | 40.284.000 | Fan Support - Pul D.54 No Disengagement |
| 2 | 1 | 04.850.000 | Automatic Belt Stretcher |

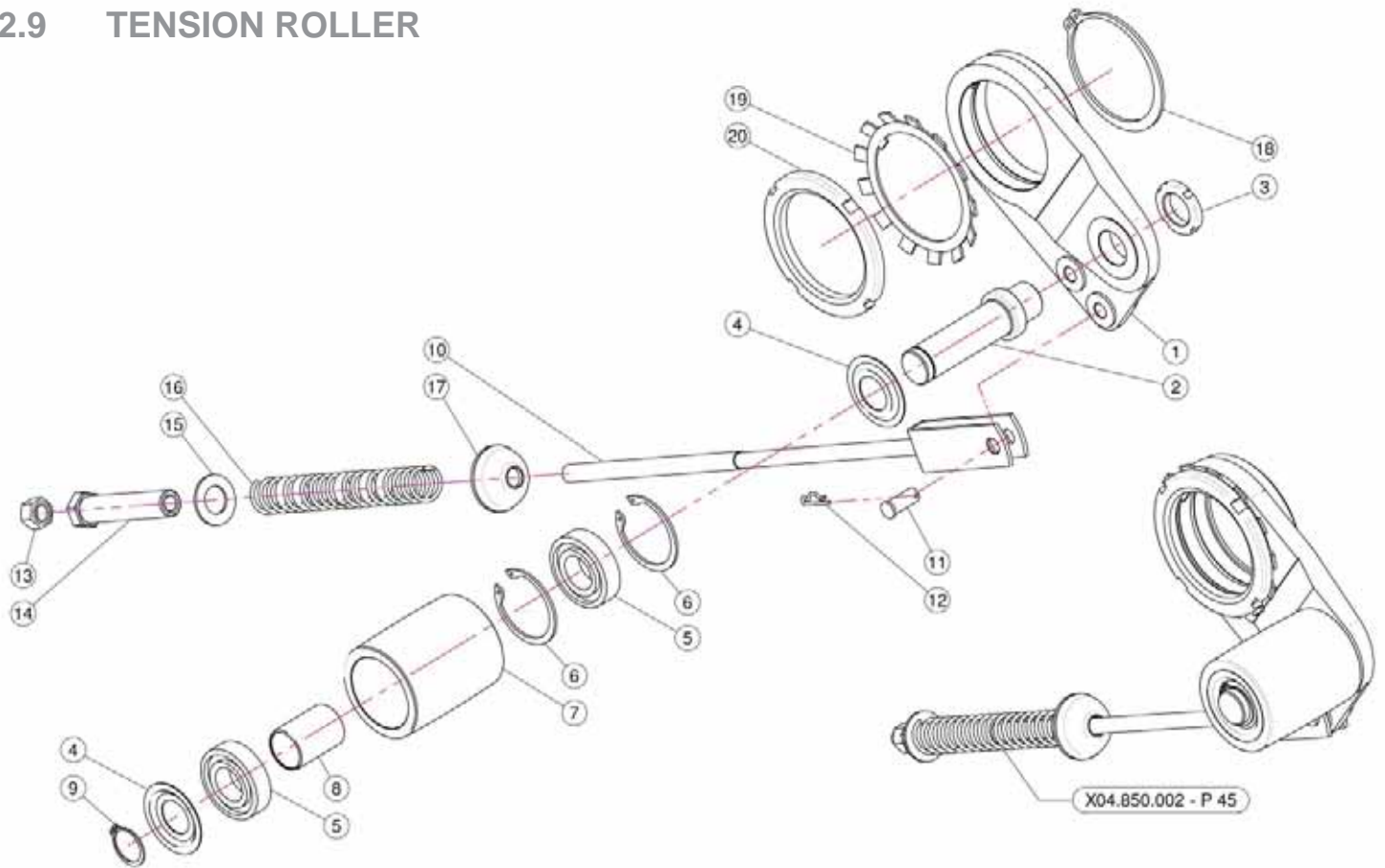
2.8 FAN SUPPORT BREAKDOWN



2.8 FAN SUPPORT BREAKDOWN

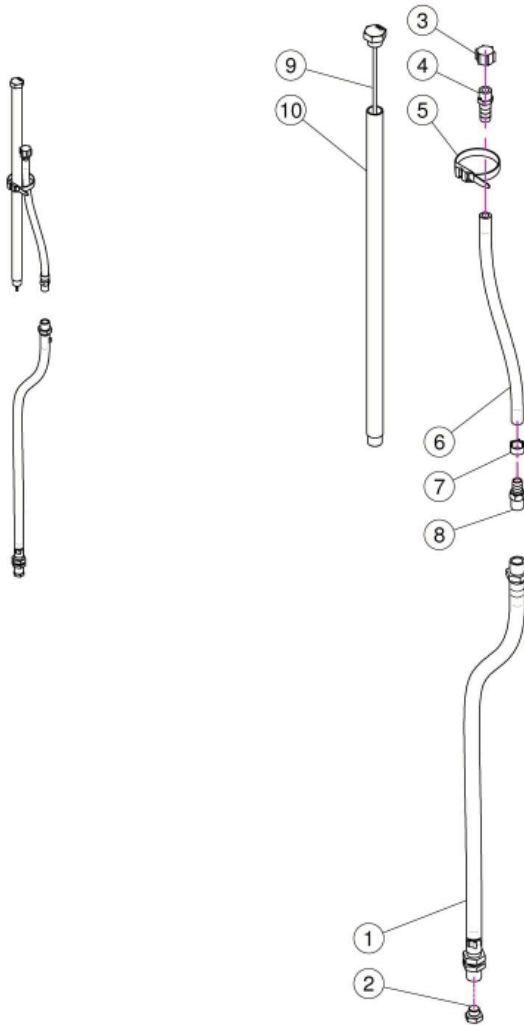
| <u>REF.</u> | <u>QTY.</u> | <u>PART NO.</u> | <u>DESCRIPTION</u> |
|-------------|-------------|-----------------|---------------------------------|
| 1 | 1 | 40.260.000 | Fan Support |
| 2 | 1 | 40.271.054 | Shaft With Pulley D.54 J32 |
| 3 | 1 | 40.262.000 | Spacer Fan Support |
| 4 | 1 | I0.062.000 | Internal D.62 Circlip |
| 5 | 1 | 40.263.000 | Side Fan Seal Spacer |
| 6 | 1 | K0.021.305 | Bearing To Oblique Seams 21.305 |
| 7 | 1 | K0.022.206 | Bearing To Oblique Seams 22.206 |
| 8 | 2 | BASL.40.62.10 | Viton Lip Seals IEL 40.62.10 |
| 9 | 1 | 40.267.000 | Side Fan Cover |
| 10 | 1 | L.08.07.35 | 8 x 7 x 35 Tang |
| 11 | 1 | DA.022.0BF | Self Locking Nut M22 x 1.5 |
| 12 | 1 | RP.022.000 | Washer D.22 |
| 13 | 1 | 20.789.000 | Male/Female 90° Elbow |
| 14 | 1 | 40.264.000 | Spacer |
| 15 | 1 | 02.723.003 | Pulley For Pump D.78 x 1.3V |
| 16 | 1 | RP.010.040 | Washer D.10 x 40 |
| 17 | 1 | RP.010.030 | Washer D.10 x 30 mm |
| 18 | 1 | TE.010.025FT | Bolt TE M10 x 25 |
| 19 | 1 | SE.006.020 | Spring Pin D.6 x 20 |
| 20 | 1 | 02.723.001 | Special Washer mm 3 |

2.9 TENSION ROLLER



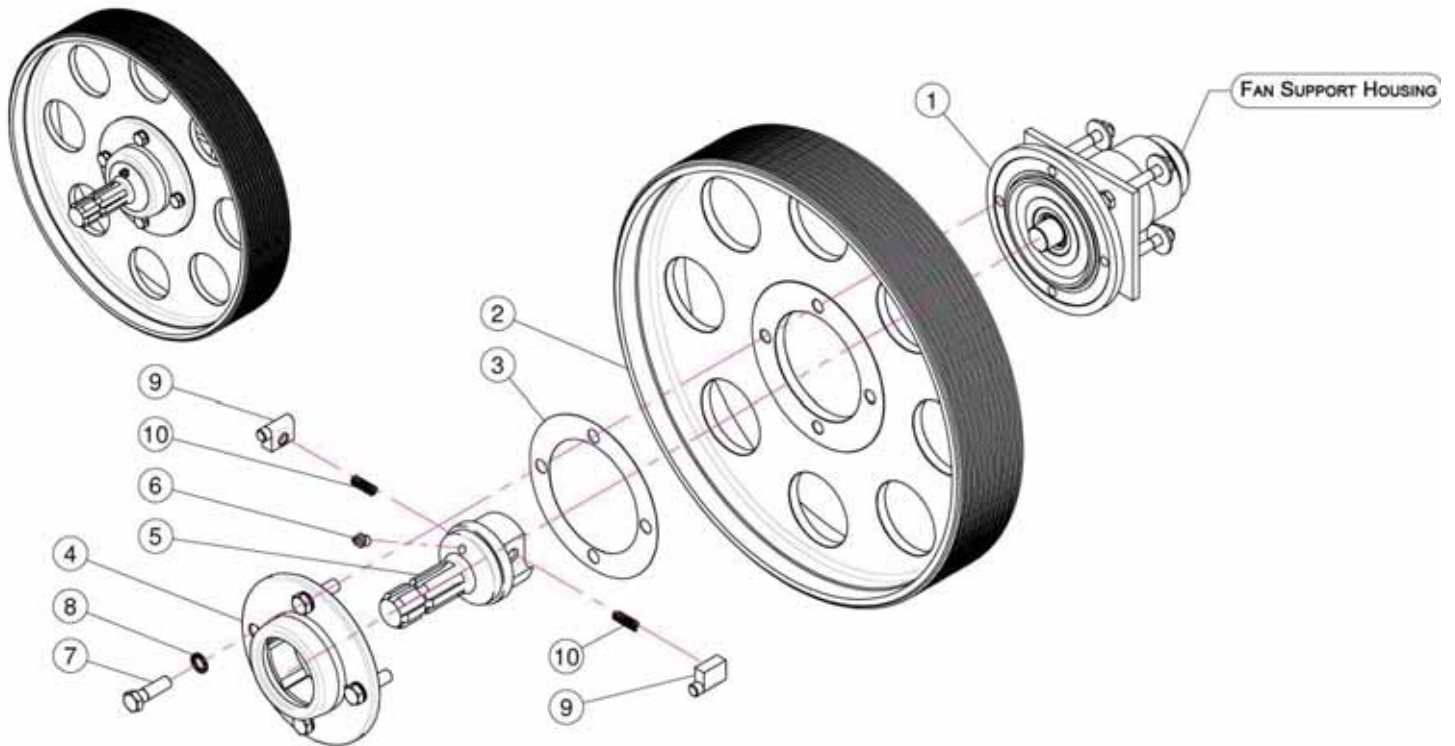
| <u>REF.</u> | <u>QTY.</u> | <u>PART NO.</u> | <u>DESCRIPTION</u> |
|-------------|-------------|-----------------|---------------------------|
| 1 | 1 | 04.095.000 | Belt Stretcher Housing |
| 2 | 1 | 04.835.000 | Belt Stretcher Pin |
| 3 | 1 | KM.005.000 | Nut KM5 |
| 4 | 2 | 04.585.000 | Anti-Dust Cover |
| 5 | 2 | K6.205.2RS | Roller Bearing 6205-2RS |
| 6 | 2 | I0.052.000 | Internal D.52 Circlip |
| 7 | 1 | 04.083.000 | Roller For Belt Stretcher |
| 8 | 1 | 04.084.000 | Spacer For Belt Stretcher |
| 9 | 1 | E0.025.000 | External D.25 Circlip |
| 10 | 1 | 05.653.000 | Belt Stretcher Fork |
| 11 | 1 | 04.593.000 | Pin |
| 12 | 1 | 00.100.002 | Clip |
| 13 | 1 | D0.12.5587G | M12 Nut |
| 14 | 1 | 04.583.000 | Special Screw |
| 15 | 1 | RP.019.000 | Washer D.19 |
| 16 | 1 | 04.093.100 | Spring |
| 17 | 1 | 20.260.000 | Special Washer D.12 |
| 18 | 1 | E0.080.000 | External D.80 Circlip |
| 19 | 1 | MB.016.000 | Tooth Lock Washer MB 16 |
| 20 | 1 | 04.099.000 | Nut M 80 x 2 |

2.10 LUBRICATION TUBES



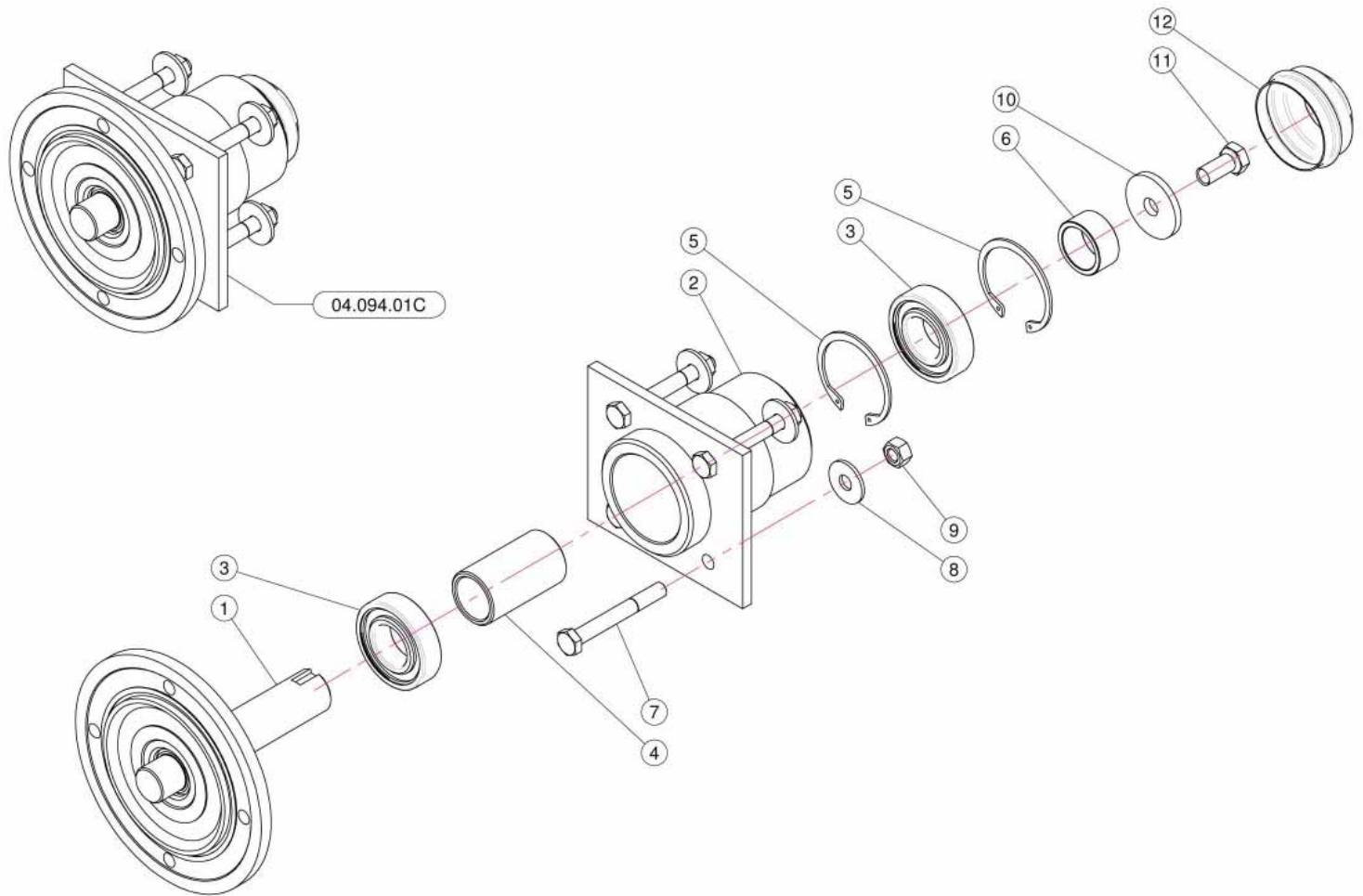
| <u>REF.</u> | <u>QTY.</u> | <u>PART NO.</u> | <u>DESCRIPTION</u> |
|-------------|-------------|-----------------|--|
| 1 | 1 | 20.790.000 | Drain Pipe 3/8" |
| 2 | 1 | 40.266.000 | Oil Exhaust Plug |
| 3 | 1 | 02.013.000 | Plug G1/4" |
| 4 | 1 | 00.414.100 | Straight Hose D.11 1/4" With Bleed |
| 5 | 1 | 02.355.000 | Nylon Assembly Clamp |
| 6 | 1 | 02.217.000 | Hose D.8 x 13 L=250 (Per Foot) |
| 7 | 1 | FC.014.5.016 | Hose Clamp |
| 8 | 1 | 20.792.000 | Straight Hose D.11 G 1/4" For Breather |
| 9 | 1 | 50.116.000 | Filling Plug With Dipstick |
| 10 | 1 | 50.122.000 | Filling Pipe L=451 |

2.11 CLUTCH & PULLEY



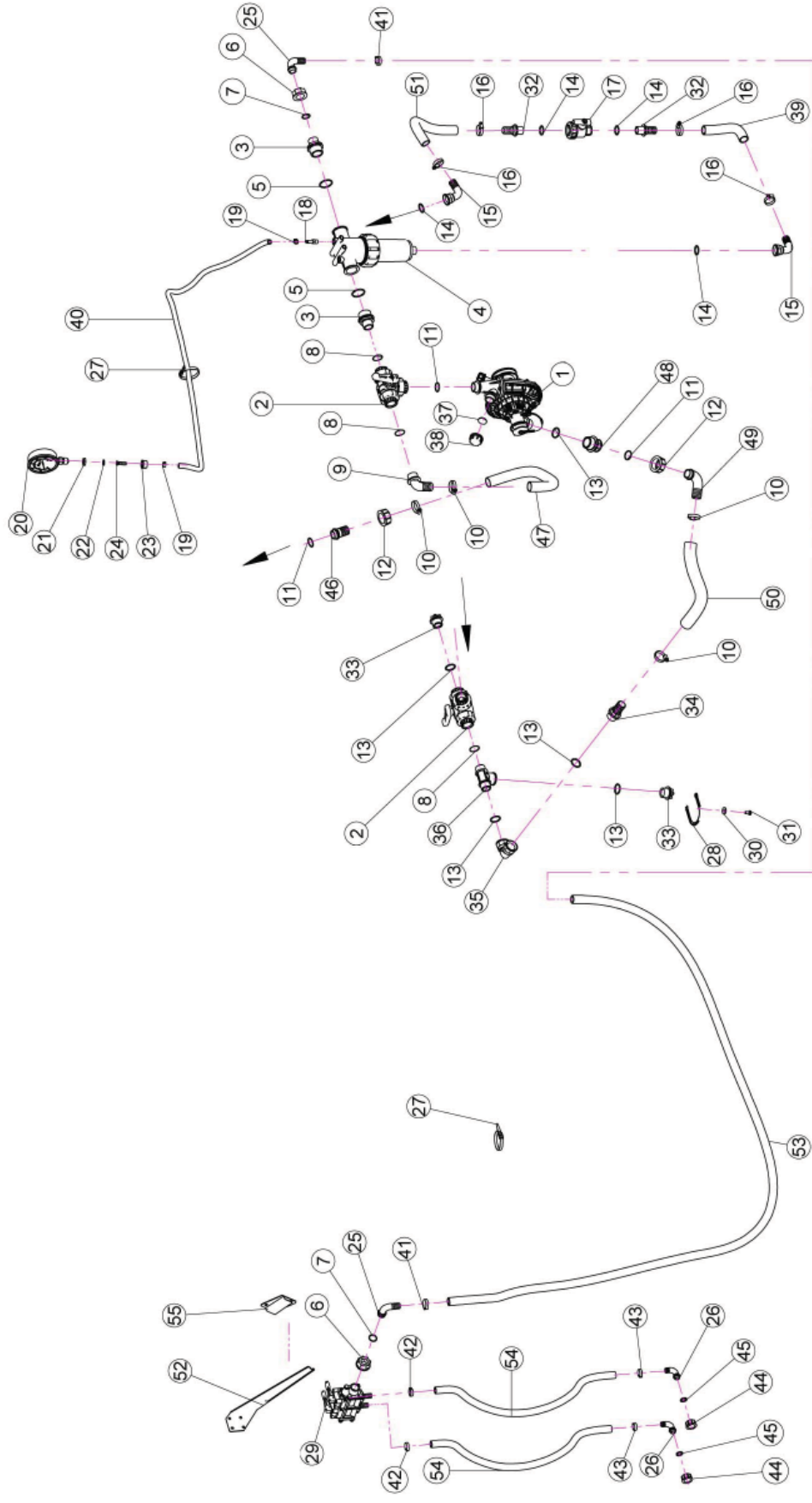
| <u>REF.</u> | <u>QTY.</u> | <u>PART NO.</u> | <u>DESCRIPTION</u> |
|-------------|-------------|-----------------|--------------------|
| 1 | 1 | 04.094.01C | Clutch |
| 2 | 1 | 00.450.J32 | Pulley |
| 3 | 1 | 04.719.000 | Gasket |
| 4 | 1 | 04.066.000 | Body |
| 5 | 1 | 03.701.000 | Rotor |
| 6 | 1 | ID.010.001 | Grease Nipple |
| 7 | 4 | TE.012.040F | Bolt M12 x 40 |
| 8 | 4 | RD.012.000 | Tab Washer D.12 |
| 9 | 2 | 02.502.002 | Pin |
| 10 | 2 | 02.502.001 | Spring |

2.12 FAN SUPPORT HOUSING



| <u>REF.</u> | <u>QTY.</u> | <u>PART NO.</u> | <u>DESCRIPTION</u> |
|-------------|-------------|-----------------|----------------------------------|
| 1 | 1 | 04.085.000 | Shaft |
| 2 | 1 | 04.094.000 | Clutch |
| 3 | 2 | K6.206.2RS | Bearing |
| 4 | 1 | 04.060.000 | Spacer |
| 5 | 2 | I0.062.000 | Internal D.62 Circlip |
| 6 | 1 | 04.590.000 | Spacer |
| 7 | 4 | TE.010.080 | Screw TE M10 x 80 |
| 8 | 4 | RP.010.030 | Washer D.10 x 30 mm |
| 9 | 4 | D0.10.5587G | Nut M10 |
| 10 | 1 | 20.810.000 | Special Washer For Lower Support |
| 11 | 1 | TE.012.025FT | Bolt TE M12 x 1.25 |
| 12 | 1 | 04.062.001 | Cover |

2.13 LIQUID FLOW PATH



2.13 LIQUID FLOW PATH

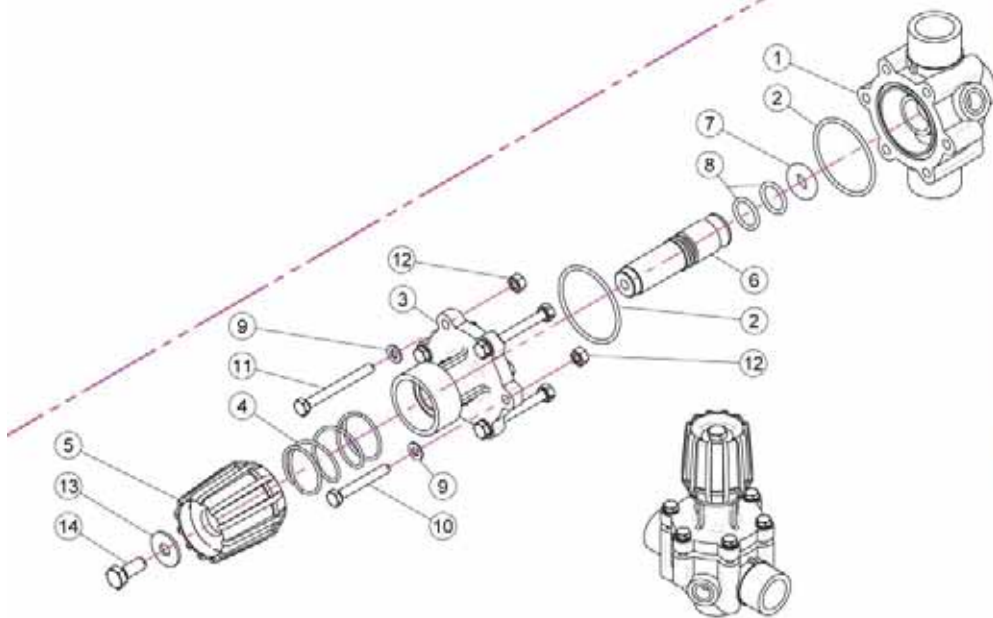
| <u>REF.</u> | <u>QTY.</u> | <u>PART NO.</u> | <u>DESCRIPTION</u> |
|-------------|-------------|-----------------|----------------------------------|
| 1 | 1 | 02.157.068 | Pump |
| 2 | 2 | 21.058.100 | Three Way Valve |
| 3 | 2 | 00.045.012 | 1" 1/4 M-1" M Reducer Nipple |
| 4 | 1 | 02.450.110 | Line Filter 1" 1/4 Female |
| 5 | 2 | OR.000.144 | O-Ring D.39.69 x 3.53 |
| 6 | 2 | 00.055.24.2 | 1" Fly Nut |
| 7 | 2 | OR.000.132 | 23.81 x 2.62 O-Ring Gasket |
| 8 | 3 | OR.002.125 | 31.47 x 1.78 O-Ring Gasket |
| 9 | 1 | 00.465.000 | Hosetail D.30 1" GAS |
| 10 | 4 | F0.025.040I | Stainless Steel Clip |
| 11 | 3 | OR.003.112 | O-Ring D.28.24 x 2.62 |
| 12 | 2 | 00.058.006 | 1" 1/4 Fly Nut |
| 13 | 6 | OR.004.118 | 29.75 x 3.53 O-Ring Gasket |
| 14 | 4 | OR.000.134 | O-Ring D.25.8 x 3.53 |
| 15 | 2 | 20.794.000 | Pipe 90° R.H. 25 3/4" GAS F |
| 16 | 4 | F0.023.035I | Stainless Steel Clip |
| 17 | 1 | 02.395.000 | Valve 3/4" GAS F.F. Ball |
| 18 | 1 | 21.084.000 | Hosetail 90° WES 8/R1/4 |
| 19 | 2 | FC.013.5.015 | Hose Clamp |
| 20 | 1 | 02.445.000 | Pressure Gauge Ø100 INOX 0-6 Bar |
| 21 | 1 | 24.072.000 | Brass Fly Nut 1/2" |
| 22 | 1 | 20.769.000 | Gasket D.19.2/11.5 x 2.5 |
| 23 | 1 | 02.287.000 | Fly Nut 1/2" |
| 24 | 1 | 02.379.020 | Straight Union R.H. 10 |
| 25 | 2 | 00.055.038 | Curved Union With R.H. D.19 |
| 26 | 2 | 00.055.046 | Curved Union With R.H. D.17 |
| 27 | 6 | 02.355.000 | Nylon Assembly clamp |
| 28 | 1 | 21.183.000 | Cap Stop |
| 29 | 1 | 20.108.101C | 2 Way Manual Control Group |
| 30 | 1 | RP.008.024 | Washer D.8 x 24 |
| 31 | 1 | TE.008.016T | Screw TE M8 x 16 |
| 32 | 2 | 20.793.000 | Hosetail R.H. D.25 3/4" GAS M |
| 33 | 2 | 21.182.000 | Packing 1" M |
| 34 | 1 | 00.422.000 | Male Connector R.H. 30 1" GAS |
| 35 | 1 | 02.291.000 | Female Hosetail Thread 1" |
| 36 | 1 | 24.065.000 | T 1" M - M 1" F |
| 37 | 1 | 24.100.000 | Gasket D.30 x 3 |
| 38 | 1 | TF.001.000 | Packing |
| 39 | 1 | 20.770.000 | Hose D.25 L=300 (Per Foot) |
| 40 | 1 | 02.217.000 | Hose D.8 x 13 L=1350 (Per Foot) |

2.13 LIQUID FLOW PATH

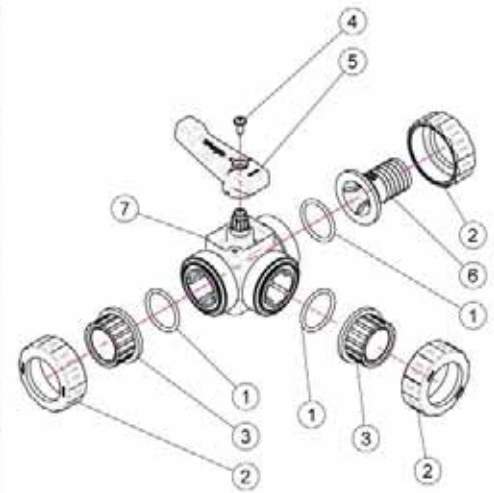
| <u>REF.</u> | <u>QTY.</u> | <u>PART NO.</u> | <u>DESCRIPTION</u> |
|-------------|-------------|-----------------|----------------------------------|
| 41 | 2 | FC.027.5.029 | Hose Clamp 27.08 - W8 |
| 42 | 2 | FC.021.5.023 | Hose Clamp 21.5 - 23 |
| 43 | 2 | FC.023.5.025 | Hose Clamp 23.5 - 25 |
| 44 | 2 | 00.055.045 | 3/4" Fly Nut |
| 45 | 2 | 02.349.000 | 17 x 23 x 3 Flat Gasket |
| 46 | 1 | 00.058.028 | Straight Hose R.H. D.30 |
| 47 | 1 | 20.852.000 | Hose D.30 L=430 (Per Foot) |
| 48 | 1 | 02.374.000 | M/F 1" F / 1" 1/4 M Reduction |
| 49 | 1 | 00.058.004 | D.30 Hosetail |
| 50 | 1 | 02.238.000 | Hose D.30 L=360 (Per Foot) |
| 51 | 1 | 20.770.000 | Hose D.25 L=200 (Per Foot) |
| 52 | 1 | 20.112.000 | Support Control Assembly |
| 53 | 1 | 02.212.000 | Hose D.19 x 28 L=4000 (Per Foot) |
| 54 | 2 | 02.211.000 | Hose D.16 L=4500 (Per Foot) |
| 55 | 1 | 20.107.000 | Female Bayonet Support |

2.14 PRESSURE REGULATOR & 3 WAY VALVE

PRESSURE REGULATOR



3-WAY VALVE



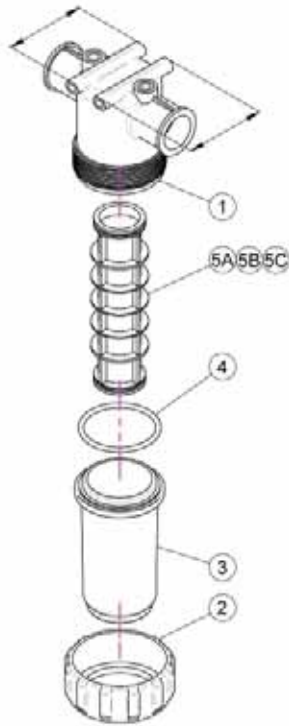
Pressure Regulator

| <u>REF.</u> | <u>QTY.</u> | <u>PART NO.</u> | <u>DESCRIPTION</u> |
|-------------|-------------|-----------------|------------------------------|
| 1 | 1 | 02.447.001 | Body For Regulator Valve |
| 2 | 2 | OR.003.193 | O-Ring Gasket 48.89 x 2.62 |
| 3 | 1 | 02.447.012 | Upper Flange |
| 4 | 1 | 02.447.011 | Spring |
| 5 | 1 | 02.447.010 | Regulation Valve Knob |
| 6 | 1 | 02.447.013 | Valve Pin |
| 7 | 1 | 02.447.005 | Special O-Ring For Gate 2447 |
| 8 | 2 | OR.003.068 | O-Ring Gasket 17.12 x 2.62 |
| 9 | 6 | RP.006.000I | INOX Washer D.6 |
| 10 | 2 | TE.006.045I | INOX M6 x 45 Screw |
| 11 | 4 | TE.006.060I | INOX M6 x 60 TE Screw |
| 12 | 6 | D0.06.5588GI | INOX M6 6S Big Lead Nut 5588 |
| 13 | 1 | RP.008.024I | INOX Washer D.8 x 24 |
| 14 | 1 | TE.008.025I | INOX 8 x 25 Screw |

3-Way Valve

| | | | |
|---|---|-------------|-------------------------------|
| 1 | 3 | OR.004.137 | O-Ring D.34.52 x 3.53 |
| 2 | 3 | 21.058.007 | Valve Union Nut |
| 3 | 2 | 21.058.006 | Valve End Connector |
| 4 | 1 | TA.05.5.016 | Self Threaded Screw M5.5 x 16 |
| 5 | 1 | 21.058.003 | Valve Handle |
| 6 | 1 | 21.058.009 | Rubber Holder D.30 |
| 7 | 1 | 21.058.110 | Body of Three Way Valve |

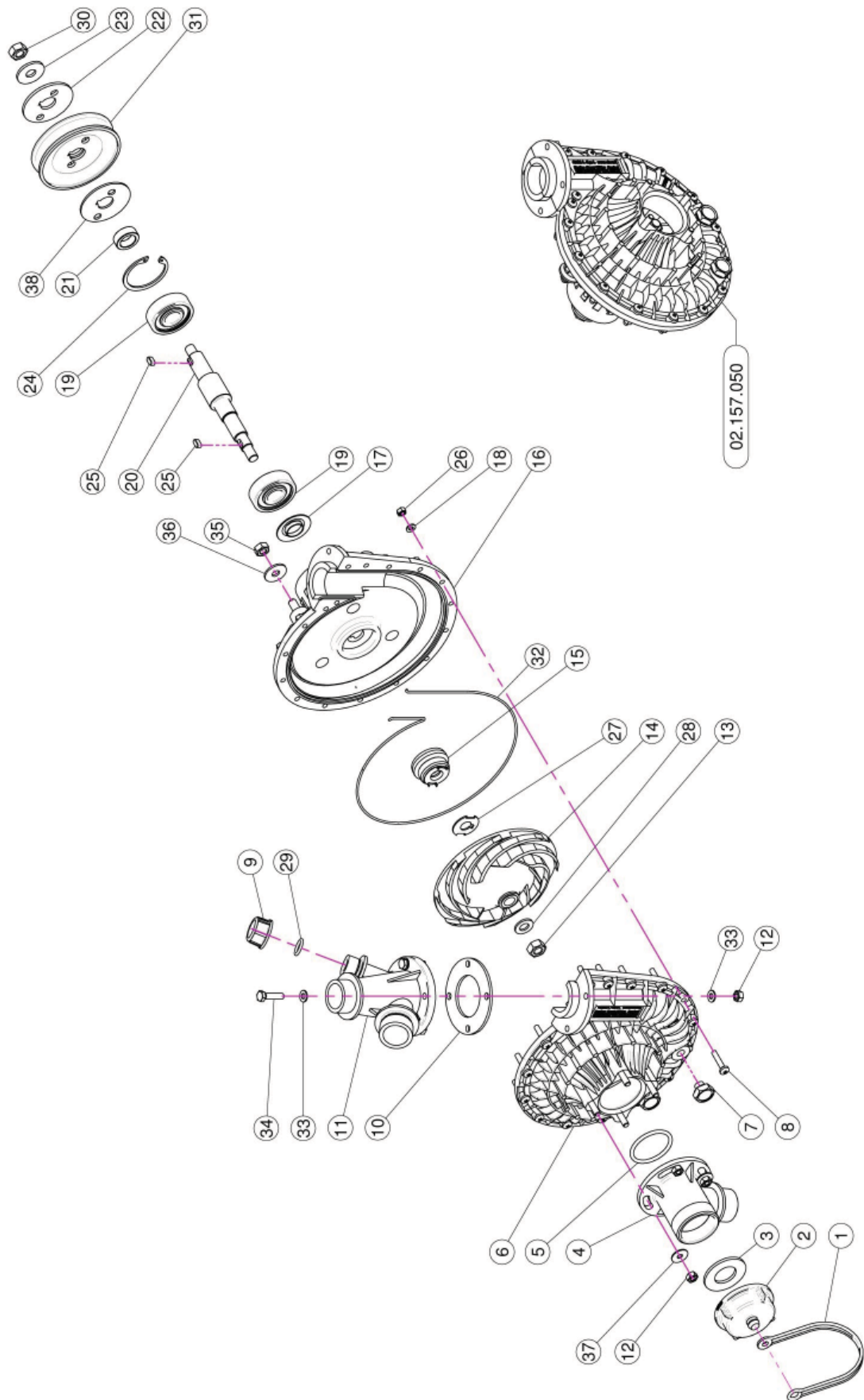
2.15 INLINE FILTERS



02.450.010

| <u>REF.</u> | <u>QTY.</u> | <u>PART NO.</u> | <u>DESCRIPTION</u> |
|-------------|-------------|-----------------|-------------------------------------|
| 1 | 1 | 02.450.101 | Line Filter Body |
| 2 | 1 | 02.450.003 | Ring Nut Filter In Line |
| 3 | 1 | 02.450.002 | Lid Filter |
| 4 | 1 | OR.000.178 | O-Ring D.74.63 x 5.33 |
| 5A | 1 | 02.450.004C | Cartridge w/ O-Ring 50 Mesh (Blue) |
| 5B | 1 | 02.450.204C | Cartridge w/ O-Ring 80 Mesh (Grey) |
| 5C | 1 | 02.450.104C | Cartridge w/ O-Ring 32 Mesh (White) |

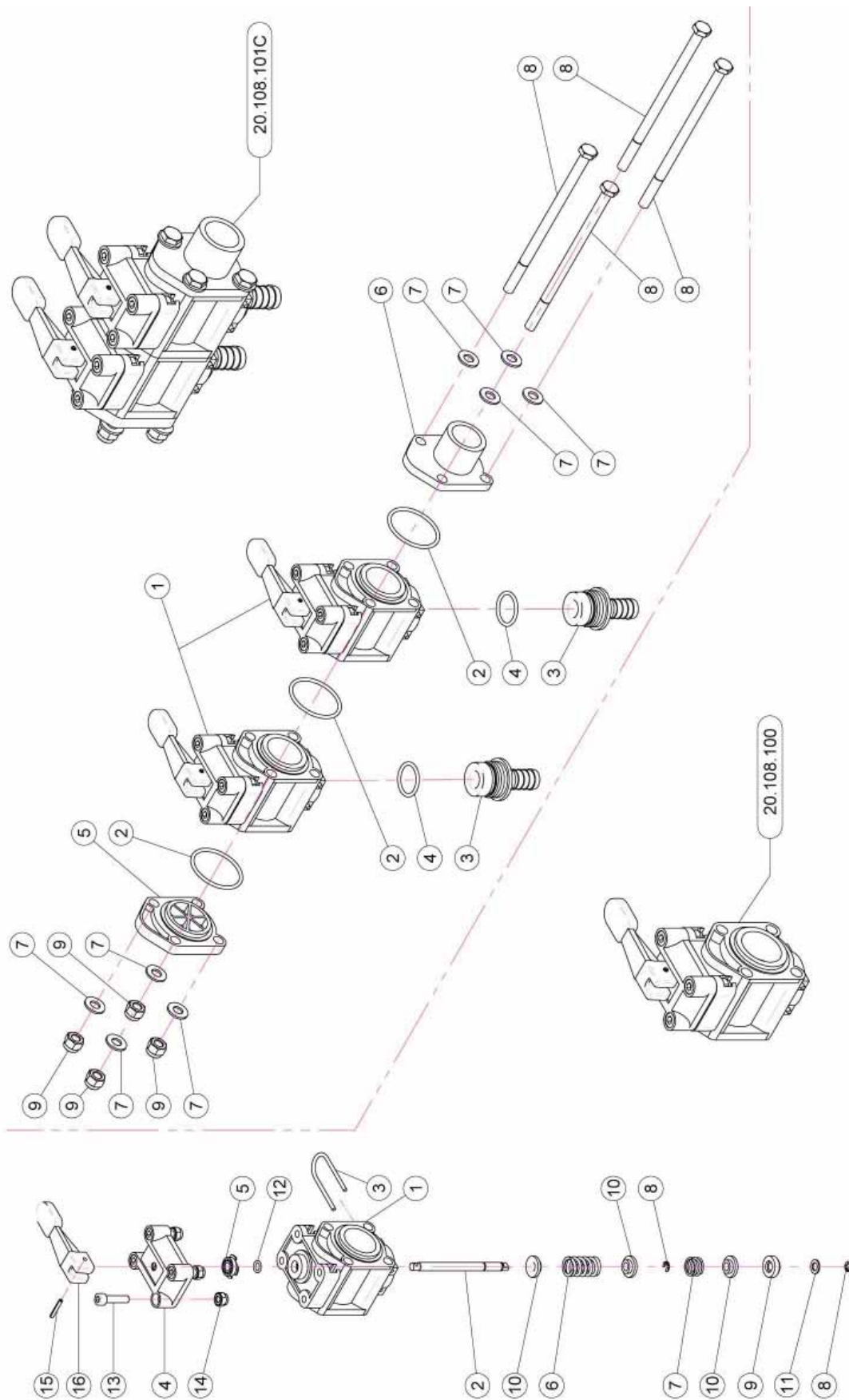
2.16 PUMP ASSEMBLY



2.16 PUMP ASSEMBLY

| <u>REF.</u> | <u>QTY.</u> | <u>PART NO.</u> | <u>DESCRIPTION</u> |
|-------------|-------------|-----------------|-----------------------------------|
| 1 | 1 | 21.183.000 | Cap Stop |
| 2 | 1 | 02.120.000 | Rapid Thread Cap |
| 3 | 1 | 02.130.000 | 24 x 46 x 3 Rubber Gasket |
| 4 | 1 | 02.116.000 | Suction Fitting |
| 5 | 1 | OR.000.144 | O-Ring D.39.69 x 3.53 |
| 6 | 1 | 02.152.010 | Housing |
| 7 | 2 | TM.010.015 | M10 x 1.5 Cap |
| 8 | 17 | TC.05.25.85 | Cross Slotted Screw M5 x 25 |
| 9 | 1 | TF.012.000 | Blank Cap 1/2" |
| 10 | 1 | 02.179.000 | Rubber Gasket |
| 11 | 1 | 02.113.000 | Delivery Fitting |
| 12 | 8 | DOT.06.5587 | M6 Brass Nut 5587 |
| 13 | 1 | DOT.10.5587 | M10 Brass Nut |
| 14 | 1 | 02.153.000 | CD32 Pump Impeller |
| 15 | 1 | 00.085.024CS | Mechanical Seal |
| 16 | 1 | 02.151.010 | Pump Casing |
| 17 | 1 | 20.406.000 | Special Cover For Pump |
| 18 | 17 | RP.005.000 | Washer D.5 |
| 19 | 2 | K6.303.2RS | Roller Bearing |
| 20 | 1 | 02.155.010 | CD32 Pump Shaft |
| 21 | 1 | 02.722.000 | Bush |
| 22 | 1 | 02.723.001 | Special Washer 3 mm |
| 23 | 1 | RP.010.030 | Washer D.10 x 30 mm |
| 24 | 1 | I0.047.000 | Internal D.47 Circlip |
| 25 | 2 | L.05.05.10 | 5 x 5 x 10 Tang |
| 26 | 17 | DOT.05.5587 | M5 Brass Nut (5587) |
| 27 | 1 | 02.114.000 | INOX Special Washer |
| 28 | 1 | RP.010.00I | Washer D.10 INOX |
| 29 | 1 | OR.000.117 | 13.1 x 18.34 x 2.62 O-Ring Gasket |
| 30 | 1 | D0.10.5588G | M10 6S Big Lead Nut 5588 |
| 31 | 1 | 02.723.002 | Pulley For Pump D.82.5 x 1 3 V |
| 32 | 1 | OR.C02.070 | OR Cord D.2 L=700 |
| 33 | 8 | RP.006.000 | Washer D.6 |
| 34 | 4 | TE.006.025T | Screw TE M6 x 25 |
| 35 | 3 | D0.08.5588G | M8 6S Big Lead Nut 5588 |
| 36 | 3 | RP.008.024 | Washer D.8 x 24 |
| 37 | 3 | RP.006.018 | Washer D.6 x 18 |
| 38 | 1 | 02.723.005 | Special Washer 2 mm |

2.17 LIQUID VALVES



2.17 LIQUID VALVES

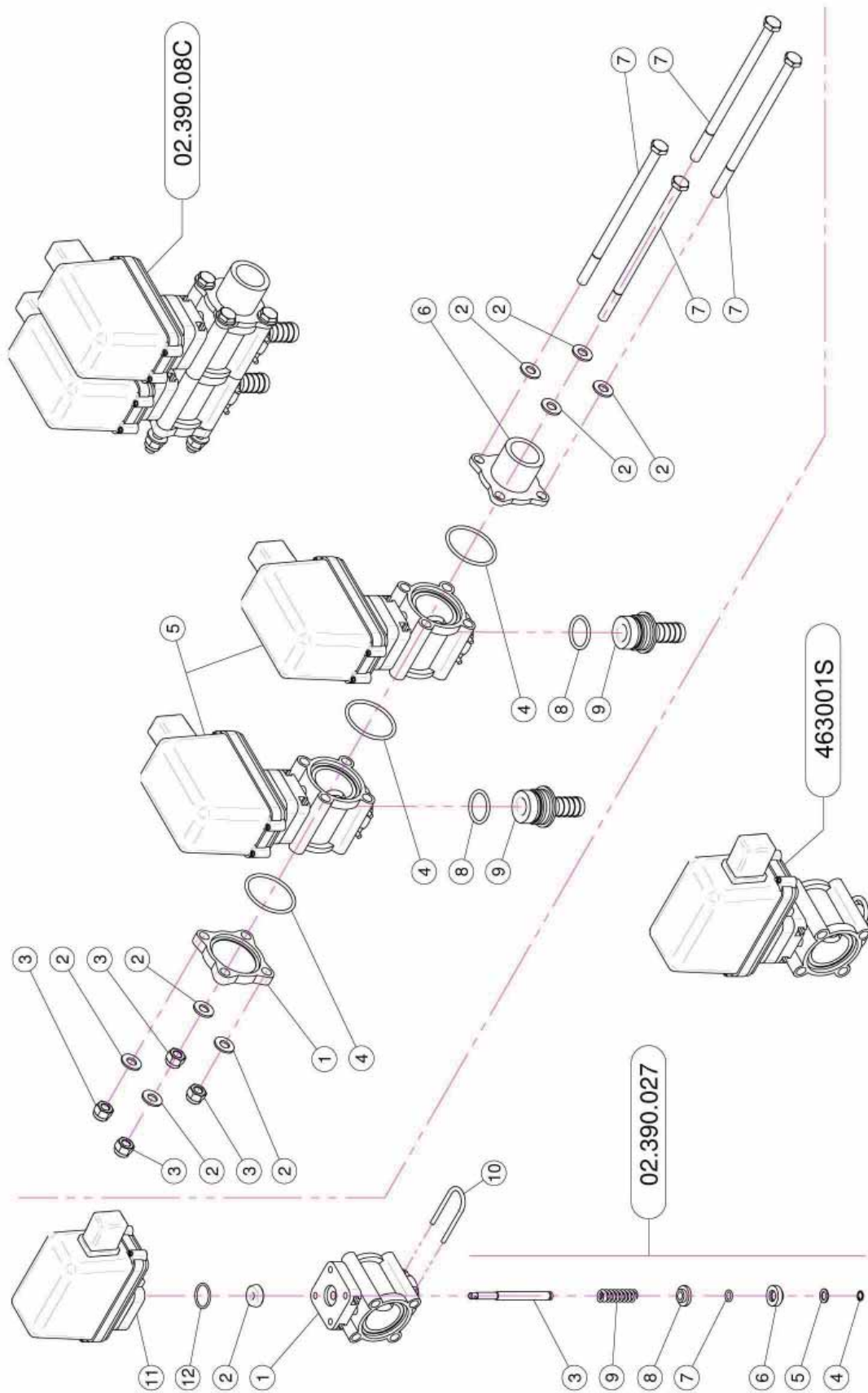
20.108.100

| <u>REF.</u> | <u>QTY.</u> | <u>PART NO.</u> | <u>DESCRIPTION</u> |
|-------------|-------------|-----------------|------------------------------|
| 1 | 1 | 21.069.000 | Valve Body |
| 2 | 1 | 21.074.000 | INOX Manual Valve Pivot |
| 3 | 1 | 21.073.000 | Fork |
| 4 | 1 | 21.070.000 | Manual Switch Valve Flange |
| 5 | 1 | 21.075.000 | Closing |
| 6 | 1 | 21.076.000 | Reserve Spring |
| 7 | 1 | 21.077.000 | Reserve Spring |
| 8 | 2 | AR.004.00I | Rings of Stop Expel Them D.4 |
| 9 | 1 | 02.390.015 | Lower Valve |
| 10 | 3 | 02.390.009 | Superior Valves |
| 11 | 1 | 02.390.014 | Washer 7.2 x 12 INOX |
| 12 | 1 | 02.390.016 | O-Ring |
| 13 | 4 | TCE.006.025 | Screw M6 x 25 |
| 14 | 4 | DA.006.0AG | Self Locking Nut - High M6 |
| 15 | 1 | SE.003.020 | Spring Pin D.3 L=20 |
| 16 | 1 | 21.089.000 | Lever For Manual Switch |

20.108.101C

| | | | |
|---|---|------------|----------------------------|
| 1 | 2 | 20.108.100 | Simple Valve Group |
| 2 | 3 | OR.003.156 | O-Ring Gasket 39.34 x 2.62 |
| 3 | 2 | 21.078.000 | Hosetail D.16 |
| 4 | 2 | OR.000.130 | 22.22 x 2.62 O-Ring Gasket |
| 5 | 1 | 21.071.000 | Valve Flange |
| 6 | 1 | 21.072.000 | Connect Flange 1 "GAS" |
| 7 | 8 | RP.008.000 | Washer D.8 |
| 8 | 4 | TE.008.150 | Screw TE M8 x 150 |
| 9 | 4 | DA.008.0AG | Self Locking Nut M8 |

2.18 LIQUID VALVES - ELECTRO (Optional)



2.18 LIQUID VALVES - ELECTRO (Optional)

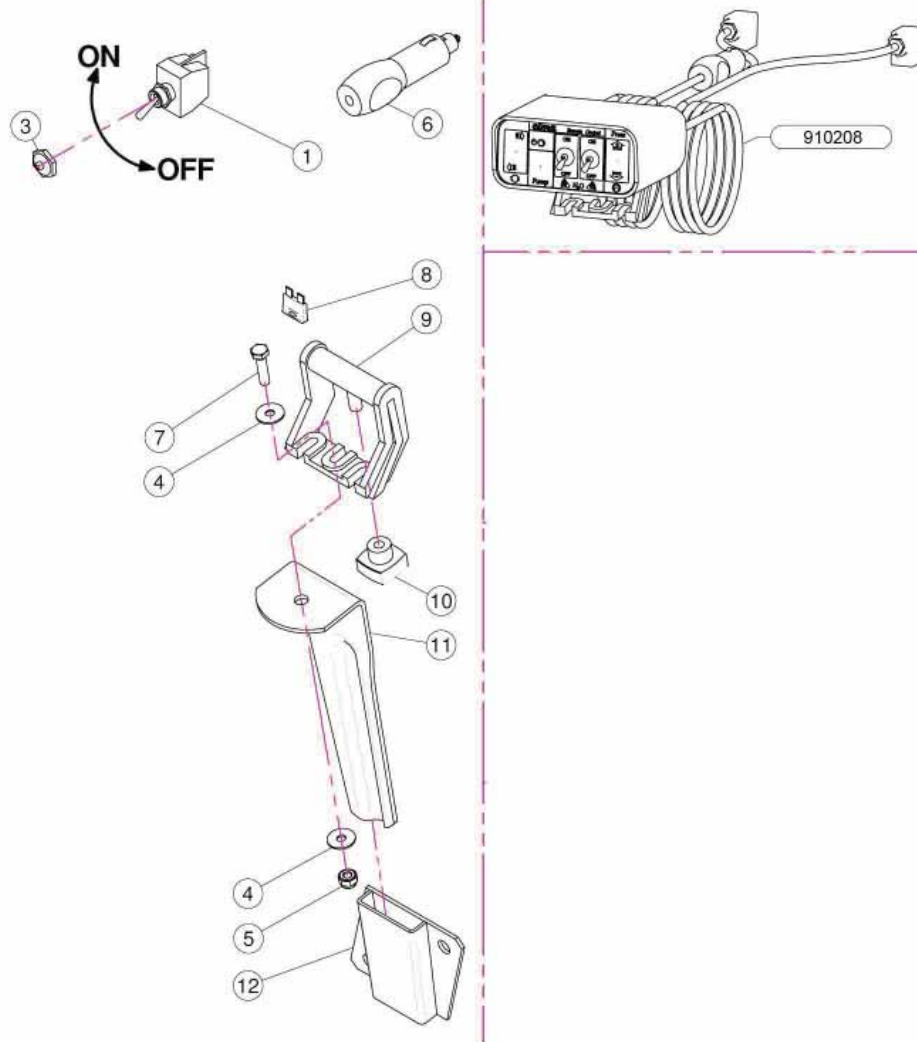
02.390.029

| <u>REF.</u> | <u>QTY.</u> | <u>PART NO.</u> | <u>DESCRIPTION</u> |
|-------------|-------------|-----------------|-----------------------|
| 1 | 1 | 02.390.007 | Valve Body |
| 2 | 1 | 02.390.008 | Gasket |
| 3 | 1 | 02.390.020 | Pin |
| 4 | 1 | 02.390.013 | Stop Ring |
| 5 | 1 | 02.390.014 | Washer 7.2 x 12 INOX |
| 6 | 1 | 02.390.015 | Lower Valve |
| 7 | 1 | 02.390.016 | O-Ring |
| 8 | 1 | 02.390.009 | Superior Valves |
| 9 | 1 | 02.390.011 | Spring |
| 10 | 1 | 21.130.005 | Fork |
| 11 | 1 | 02.390.028 | Solenoid Valve |
| 12 | 1 | OR.002.075 | D.18.77 x 1.78 O-Ring |

02.390.08C

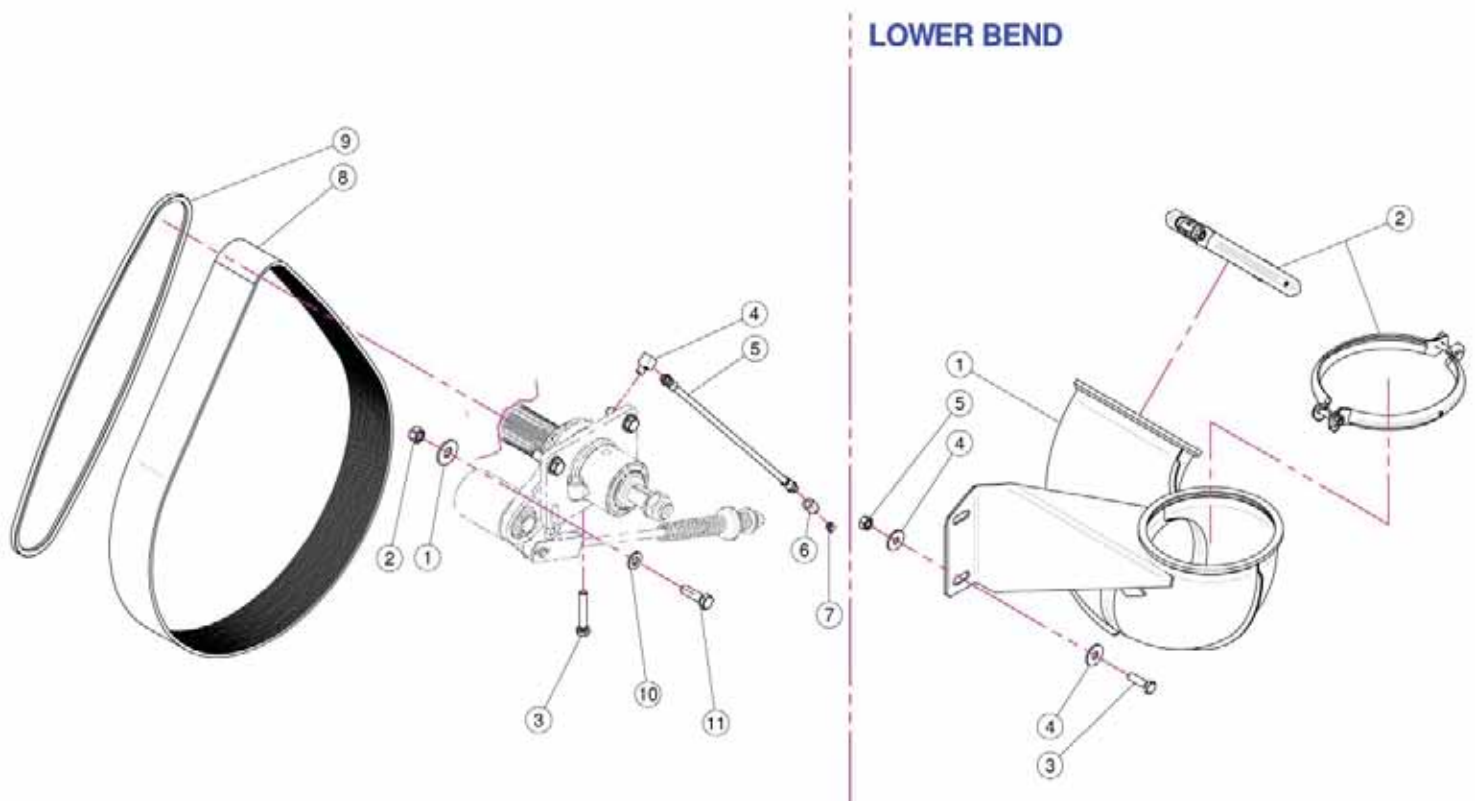
| | | | |
|---|---|------------|----------------------------|
| 1 | 1 | 02.390.017 | Valve Flange |
| 2 | 8 | RP.008.000 | Washer D.8 |
| 3 | 4 | DA.008.0AG | Self Locking Nut M8 |
| 4 | 3 | OR.003.156 | O-Ring Gasket 39.34 x 2.62 |
| 5 | 2 | 02.390.029 | Solenoid Valve |
| 6 | 1 | 02.390.018 | Connector |
| 7 | 4 | TE.008.150 | Screw TE M8 x 150 |
| 8 | 2 | OR.000.130 | 22.22 x 2.62 O-Ring Gasket |
| 9 | 2 | 02.406.000 | Hosetail D.16 |

2.19 CONTROL SWITCH (Optional)



| REF. | QTY. | PART NO. | DESCRIPTION |
|-------------|-------------|-----------------|----------------------------|
| 1 | 2 | 21.030.005 | Switch 2V 2P On-Off 10A |
| 3 | 2 | 21.030.007 | Switch Cap D.12 |
| 4 | 2 | RP.006.018 | Washer D.6 x 18 |
| 5 | 1 | DA.006.0AG | Self Locking Nut - High M6 |
| 6 | 1 | 21.030.008 | 12V Power Jack |
| 7 | 1 | TE.006.025T | Screw TE M6 x 25 |
| 8 | 1 | 21.030.004 | 10 Ah Fuse |
| 9 | 1 | 21.030.002 | Moving Fixing Bracket |
| 10 | 1 | 21.030.003 | Fixing Knob |
| 11 | 1 | 20.111.000 | Bracket |
| 12 | 1 | 20.107.000 | Female Bayonet Support |

2.20 DRIVE ASSEMBLY

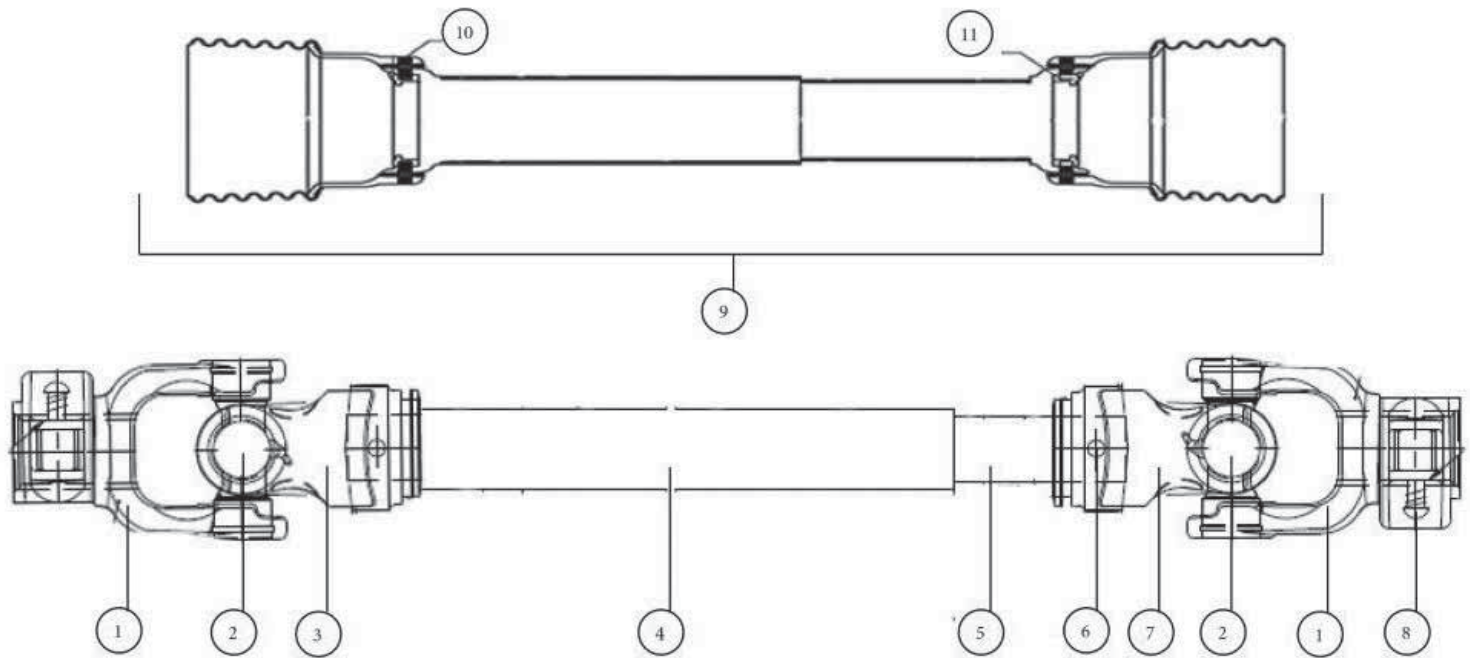


| <u>REF.</u> | <u>QTY.</u> | <u>PART NO.</u> | <u>DESCRIPTION</u> |
|-------------|-------------|-----------------|---------------------------------|
| 1 | 4 | RP.012.036 | Washer D12 x 36 |
| 2 | 4 | D0.12.5587G | M12 Nut |
| 3 | 1 | TE.010.060T | Screw TE M10 x 60 |
| 4 | 1 | 02.736.000 | 90 G. M10 x 1 Fitting |
| 5 | 1 | 02.738.040 | Greaser Extension M10 x 1 L=400 |
| 6 | 1 | 02.737.000 | Accessory |
| 7 | 1 | ID.010.001 | Grease Nipple |
| 8 | 1 | C0.650.J32 | Poly V-Belt |
| 9 | 1 | C0.530.03V | V-Belt |
| 10 | 4 | RP.012.000 | Washer D.12 |
| 11 | 4 | TE.012.040T | Bolt TE M12 x 40 |

LOWER BEND

| | | | |
|---|---|-------------|---------------------|
| 1 | 1 | 04.882.000 | Lower Bend D.175 |
| 2 | 2 | 05.616.000 | Pipe Clamp D.175 |
| 3 | 2 | TE.010.035T | Screw TE 10 x 35 |
| 4 | 4 | RP.010.030 | Washer D.10 x 30 mm |
| 5 | 2 | D0.10.5587G | Nut M10 |

2.21 DRIVESHAFT COMPLETE #AB6105



| REF. | PART NO. | DESCRIPTION |
|-------------|-----------------|--------------------------------------|
| 1 | A622138 | Quick Release Yoke 1 3/8" x 6 Spline |
| 2 | A622 | Cross Bearing (2 Required) |
| 3 | A6254 | Outer Tube Yoke |
| 4 | A544 | Outer Drive Tube |
| 5 | A454 | Inner Drive Tube |
| 6 | A1065 | Poll Pin (2 Required) |
| 7 | A6245 | Inner Tube Yoke |
| 8 | AB121 | Quick Release Button |
| 9 | AS30090 | Safety Guard Complete With Bearing |
| 10 | AS301 | Release Lever Kit |
| 11 | ASB3 | Bearing Kit |

3 LIMITED WARRANTY



GEARMORE, INC., warrants each new Gearmore product to be free from defects in material and workmanship for a period of twelve (12) months from date of purchase to the original purchaser. This warranty shall not apply to implements or parts that have been subject to misuse, negligence, accident, or that have been altered in any way.

Our obligation shall be limited to repairing or replacement of any part, provided that such part is returned within thirty (30) days from date of failure to Gearmore through the dealer from whom the purchase was made, transportation charges prepaid.

This warranty shall not be interpreted to render us liable for injury or damages of any kind or nature, direct, consequential or contingent, to person or property. This warranty does not extend to loss of crops, loss because of delay in harvesting or any other expenses, for any other reasons.

Gearmore in no way warrants engines, tires, or other trade accessories, since these items are warranted separately by these respective manufacturers.

Gearmore reserves the right to make improvements in design or changes in specification at any time, without incurring any obligations to owners or units previously sold.

Please be advised that all warranty work done by your dealer must be approved by Gearmore before work begins.

GEARMORE, INC.
13477 Benson Ave.
Chino, CA 91710

Always refer to and heed machine operating warning decals on machine.

*To validate the warranty on this product, please log-in to our website - www.gearmore.com.
You will find "warranty registration" listed at the top of our home page.*