

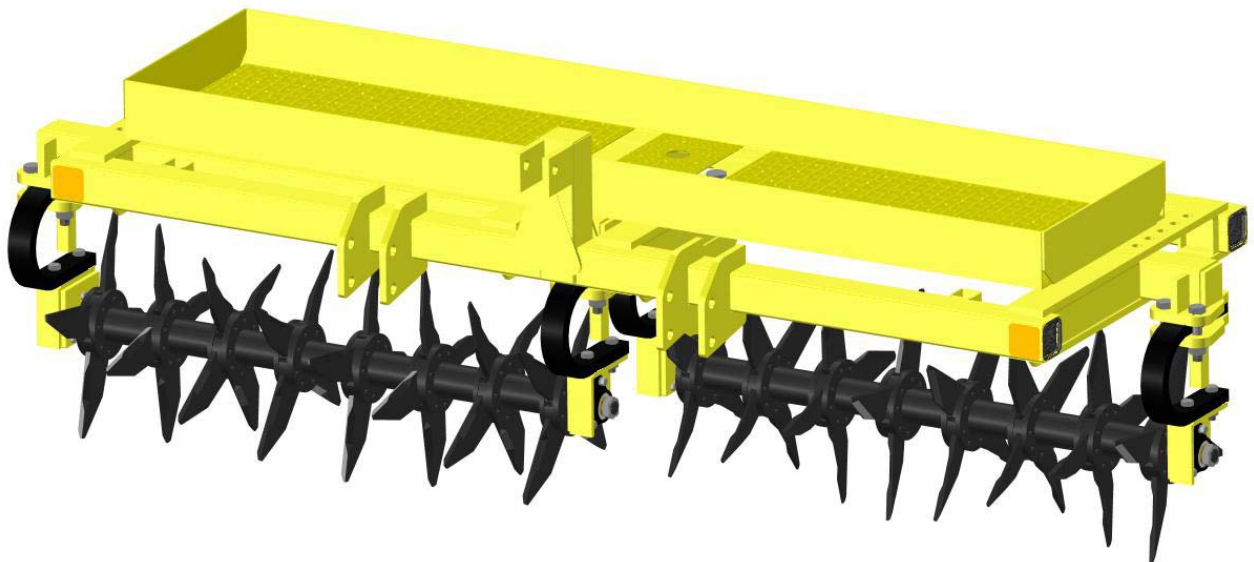


# AGRICULTURAL OWNER/OPERATOR MANUAL RIGID FRAME MODELS



## AW Series

---



*Advanced Aeration Systems*





# AGRICULTURAL OWNER/OPERATOR MANUAL RIGID FRAME MODELS



---

## TABLE OF CONTENTS

### **General Information:**

Holland Companies .....	1
Customer Letter .....	2
Serial Number Information .....	3

### **Warranty Information:**

Warranty Process .....	3
Customer Complaint Form .....	4
Warranty Statement .....	5

### **Operating/Installation Instructions:**

Safety Instructions .....	6
3 Point Hitch Instructions .....	7
Operating Instruction .....	8

### **Maintenance/Replacement Instructions:**

Tire Maintenance and Replacement .....	9
Bearing Maintenance .....	9
C-Flex Maintenance .....	9
Maintenance Torque Values .....	10

### **Replacement Parts:**

Safety / Warning Decals .....	12
AW060S-**** .....	14
AW050S-**** .....	15
AW080H-**** .....	18
AW060Q-**** .....	20
AW080Q-**** .....	21
AW100Q-**** .....	22
AW120Q-**** .....	23
AW08CQ-**** .....	26
AW10CQ-**** .....	27
AW12CQ-**** (two roller unit) .....	28
AW150Q-**** .....	30
AW200Q-**** .....	31
AW12CQ-**** (four roller unit) .....	34
AW15CQ-**** .....	35
AW20CQ-**** .....	36
Bearing & C-Flex Detail .....	38
8' Hydraulic Cylinder .....	40
8' Hub Assembly .....	42





AerWay® information is available at the following companies:

**Holland Equipment Limited**

Norwich, Ontario, N0J 1P0  
Tel. (519) 863-3414  
Fax (519) 863-2398

**Holland U.S.A.**

Wylie, Texas, 75098  
Tel. (972) 442-3556  
Fax (972) 442-2092



**Holland Hitch Western Ltd.**

Surrey, B.C., V3S 5K1  
Tel. (604) 574-7491  
Fax (604) 574-0244

**Holland Hitch Australia Ltd.**

Melton Victoria  
Tel. 1-03-743-6799  
Fax 1-03-743-6763

For the name of our nearest dealer call  
**1-800-457-8310**

feel free to visit our website at

[www.aerway.com](http://www.aerway.com)

or e-mail us at

[aerway@aerway.com](mailto:aerway@aerway.com)





**Dear Customer:** Welcome to the **AerWay®** family.

The **AerWay®** is designed, manufactured and sold by the Holland Group of Companies. The Holland Group is a world wide organization with manufacturing facilities in North America, and around the globe.

The parent company originated in 1911 in Corsica, South Dakota producing hitches for horse drawn agricultural equipment. The company moved to Holland, Michigan in 1920 and became the Holland Hitch Company. As the transport and agricultural markets developed and grew, the company developed products to support these industries.

The **AerWay®** was developed in the 1970's by a farmer who understood the tremendous benefits of reducing soil compaction, water runoff, increasing fertilizer utilization, and supplying oxygen to the root zone of his crops.

Farmers on every continent in the world now benefit from the patented **AerWay's** unique ability to shatter the soil vertically and horizontally as it twists its way through the ground.

The Holland Group welcomes you to the worldwide **AerWay®** family of satisfied users.

Your new **AerWay®** is designed to meet your agricultural conservation tillage and aeration requirements. Its ease of operation and low maintenance requirements will give you many years of trouble free operation.

Make certain that **you read and understand** the important instructions for assembly, adjustments, operation and maintenance contained in this manual. If there are any instructions that you do not fully understand, contact either your Dealer or Holland personnel for clarification prior to using the unit.

When in need of replacement parts, please specify the model and serial number of your **AerWay®** to your dealer. The serial number is stamped on the right, top surface of the front cross tube of the main frame. For Pull Type units the serial number is stamped on the right, front surface of the front cross tube on the main frame.

Regular preventative maintenance will keep your **AerWay®** in proper operating condition, and provide you with many years of reliable, trouble free service.

Should you require further clarification or assistance, please contact your local **AerWay®** dealer or one of the **AerWay®** information locations listed on the previous page.

This Operator's Manual is designed to be used in conjunction with our **AerWay®** Rigid Frame Models Owner/Operator Manual (Part No. XL-AW-A-67260-A).

***Remember to complete your warranty registration card and mail it to the nearest AerWay®/Holland locations listed on page 1.***

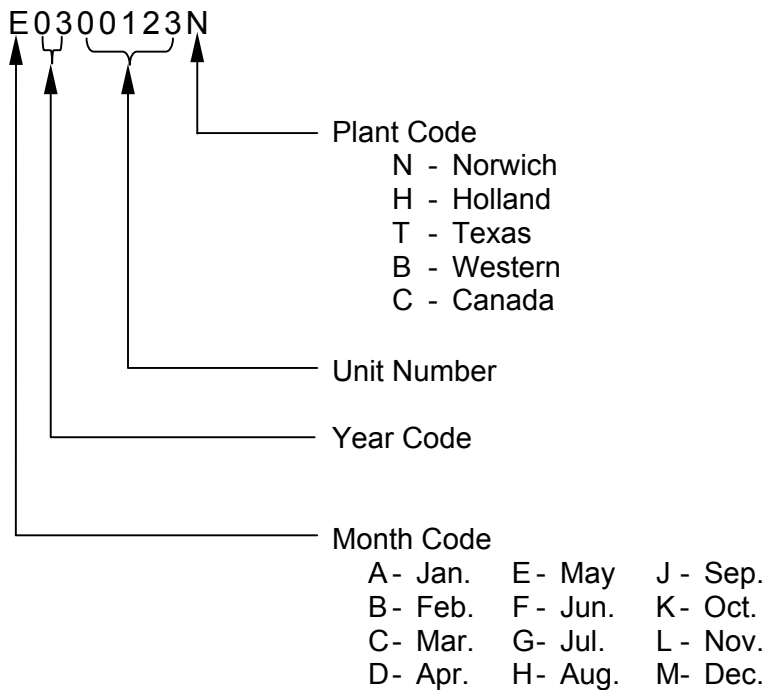
## Warranty Application and Processing

In the event of a potential warranty claim, be sure to identify and record the AerWay® **Model Number** (e.g. AW12CQ-2B38-DT67) and **Serial Number** (e.g. B0100123N). The end user or servicing dealer should complete the Customer Service Request form, located on the following page, and Fax or Mail a copy to your nearest Holland/AerWay® location listed on page 1.

Holland's policy is to review all warranty claims and applicable information prior to the processing of that claim. If parts are required to be returned to a Holland location for inspection and analysis, a return number will be assigned. This number must be identified on the part(s) and the shipping paper work. Claims will be resolved in a timely manner, once all information is provided and the parts or product have been inspected.

If replacement part(s) or product is required immediately, contact your local AerWay® dealer or one of the four AerWay®/Holland locations listed on page 1. The part(s) or product will be expedited to the end user and invoiced. If the warranty claim is accepted, the account will be credited appropriately.

### Serial Number Logic





# Customer Service Request



Holland Equipment Limited  
 20 Phoebe St., Norwich, Ont., N0J 1P0  
 Ph. (519) 863-3414 Fax. (519) 863-2398  
 1-800-457-8310



- Warranty
- Product Return
- Quality
- Request/Customer Suggestion

CSR # : \_\_\_\_\_  
 Authorization \_\_\_\_\_  
 Number : \_\_\_\_\_

<b>Customer Information</b>	<b>Machine Details</b>
Company Name - _____	Model Number - _____
Customer Contact - _____	Serial Number - _____
Address - _____	Into Service Date - _____
City - _____	Purchased From - _____
State/Province - _____	New unit                      Used unit
Postal Code - _____	<b>Operating Information</b>
Country - _____	Ballast Weight - _____
Phone Number - _____	Operating Speed - _____
Fax Number - _____	Tractor HP - _____
Email Address - _____	Primary Crop - _____
	Primary Use - _____
	Roller Offset Angle - _____
	Soil Conditions - _____
<b>Dealer Information</b>	<b>Other Tools attached to The AerWay</b>
Selling Dealer - _____	
Selling Dealer Contact - _____	
Address - _____	
City - _____	
State/Province - _____	
Postal Code - _____	
Country - _____	
Phone Number - _____	
Fax Number - _____	
Email Address - _____	
<b>Request /Failure Information</b> <span style="float: right;">(describe the Request / failure and any relevant information)</span>	
<b>Corrective Action/ Repair</b> <span style="float: right;">(describe the action taken and/or requested to resolve issue)</span>	

CSR Submitted By \_\_\_\_\_

Date Created \_\_\_\_\_

Version 060304





## Holland AerWay® Warranty

Holland warranties all AerWay® products manufactured by it, when properly applied and installed, to be free from defects in material and workmanship under normal use and service for a period of one (1) year from the date of manufacture,

This warranty is void with respect to any product which has been altered from its manufactured condition, such as intentional modification, accident, corrosion, misuse, failure to provide necessary and reasonable maintenance and is exclusive of normal wear. This warranty does not cover tire wear or breakage due to unfavorable soil conditions.

If any AerWay® or AerWay® component part is found to have a defect in material or workmanship, Holland will cover the cost to repair or replace the product or part. Holland will provide a reasonable allowance for removal, and repair or replacement, and will provide parts or reimbursement at the acquisition cost, provided that this does not exceed the suggested amount.

All product or parts covered by this warranty must be made available to Holland and/or returned for review and evaluation. Authorization from Holland must be obtained prior to returning any product or parts, with freight charges prepaid.

Holland shall not be liable, in any event, for proximate, consequential, special or other damages, including, but not limited to, damages for loss of production, loss of profit, loss or opportunity, or injury to persons or property arising out of any breach of this warranty.

This warranty does not suggest nor imply suitability for any particular application, nor expected life span of the product in any particular way.

THERE ARE NO WARRANTIES, EXPRESSED OR IMPLIED, INCLUDING THE WARRANTY OF MERCHANTABILITY, WARRANTY OF FITNESS FOR A PARTICULAR PURPOSE, OR ANY OTHER IMPLIED WARRANTY ARISING BY STATUE, COURSE OF DEALINGS OR USAGE OF TRADE, EXTENDING BEYOND THAT SET FORTH ABOVE.

## Operator Safety Instructions

Work Safely – Follow these Rules!

A Careful Operator is the Best Insurance Against an Accident.



**CAUTION:** Before operating any equipment, Read and Understand this Operators Manual

- 1) Do not wear loose fitting clothing that may catch on moving parts
- 2) Use extreme care when making adjustments
- 3) Always use the proper tools or equipment for the job at hand.
- 4) When working under or around the AerWay® unit, ensure the frame and tines are supported safely and securely.
- 5) When not in use, the 3 point hitch model AerWay® should have the jacklegs extended down and the jack pins and clip pins engaged. This will prevent the implement from tipping when detached from the tractor.
- 6) Ensure that all tools, parts and maintenance equipment are clear of the AerWay® after servicing
- 7) Before and during operation the area should be checked to insure that it is clear of obstacles, hazards and personnel.

### KNOW WHERE and HOW DEEP YOUR GAS, WATER, ELECTRIC, and TELEPHONE LINES ARE BURIED.

- 8) Extreme caution should be exercised when operating close to ditches, fence or on hillsides.



**CAUTION:** Do not over ballast the weight box. This may result in the loss of front steering ability and loss of tractor stability. In some cases front counter balance weights may be required.



**DANGER:** AerWay® tines are sharp and, if carelessly handled or improperly used, can cause serious injury or death.

- 9) No riders should be permitted on the tractor. Never allow anyone to ride on the AerWay® implement at any time.
- 10) Do not attempt to remove obstructions or clear debris while the AerWay® is in motion.
- 11) Hands, feet, clothing and other objects must be kept away from all moving parts.

### Safety Instruction for Transportation

- 12) For pull type units, always place the AerWay® in the “transport position” when moving extended distances. (Engage manual transport lock if so equipped.)
- 13) The tractor used for the proper transportation should be equal in size and horsepower to the unit used for field operations.
- 14) Travel at a reasonable speed. This will allow the operator to maintain complete control of the tractor and implement at all times. Do not exceed 15 mph (24 km/h).
- 15) AerWay® transporters are not intended for highway operation.

### 3 Point Hitch Attachment Instructions

- 1) Prior to hitching to the AerWay®, it must be held in an upright and level position by the jack legs.
- 2) Back the tractor to the unit until the lower link arm ball joint is inside the AerWay® lower double lugs.
- 3) Install the proper class of link pins and lynch pins to retain both lower link arms.
- 4) Attach the upper link (turnbuckle) between the double AerWay® upper lugs, using the proper class of link pin and lynch pin.
- 5) Once the AerWay® is attached, adjust the “lateral limiter” removing excessive sway in the lower link arms.
- 6) Lift the AerWay® hydraulically and completely retract the jacklegs.



**DANGER:** Tines are sharp. To avoid injury keep hands and feet away from tines and rotating parts.

- 7) Lower the AerWay® to the ground, adjust the upper link (turnbuckle) until the AerWay® mast column is perpendicular to the ground.
- 8) From the rear of the AerWay®, add ballast to the weight box until the preferred depth of tine penetration into the ground is achieved. The amount of the ballast weight required will be determined by the soil type, moisture content, and the amount of compaction present.



**CAUTION:** Maximum ballast weight is 200 lbs. per ft. (of machine width) for “standard” models and, 300 lbs. for quick-adjust models.

In excessive stone conditions reduced ballast and operating speed are required to prevent damage and premature wear to components



**CAUTION:** Never operate the tractor if steering control is inadequate.



**CAUTION:** If the combined weight of the AerWay® and ballast exceeds the hydraulic lift capacity of the tractor’s 3 point hitch, then an AerWay® transporter must be installed.



**CAUTION:** Excessive ballast in the weight box on 3 point hitch models may result in the loss of tractor stability and a decrease in the ability to steer. In these extreme instances use counter balance weights on the front of the tractor, or the use of an AerWay® transporter may be required.

- 9) The weight used as ballast must be properly fitted and secured in the weight box.



**CAUTION:** Insure that all weight being used as ballast, and/or counter balance weight, is properly positioned and secured.

## AerWay® Operating Instructions



**DANGER:**

Contact with buried gas, electrical, cable, telephone, or irrigation pipes can result in serious injury or death. Know the location of these underground services prior to operation of the AerWay®.

- 1) Lower the AerWay® into the ground with the tines at full depth penetration (or partial penetration if so desired by the operator).
- 2) Travel at a speed which is safe, keeping in mind tractor stability, steering ability, soil and weather conditions, and operator comfort.



**CAUTION:**

Excessive tractor speed or radical operation when turning can endanger vehicle operation and operator safety.

- 3) DO NOT make sharp turns with the tined roller in the ground. The AerWay® roller must be lifted out of the ground when making sharp turns.
- 4) Severely compacted soil and high traffic areas may need to be aerated several times.
- 5) For greater cultivation on quick adjust models pull the adjusting pins and move the swing arms toward the rear of the implement. There are various positions to choose from, starting at 0° and going to 10° at 2.5° increments.

When the AerWay® is not in use, remove the jack pin, extend leg to the maximum extension, re-insert the jack pin and its hair pin clip, ensuring that the legs are positioned on a solid level surface. Always use the extended jacklegs for the safe storage of the AerWay®

## Tine Maintenance and Replacement Instructions

**Maintenance:** Inspect tines for signs of excessive wear or breakage prior to operation. Re-torque tine bolts to 130ft.lbs. (175N.m.) after 10 hours of operation from initial start-up. Verify torque on the tine bolts after every 30 hours of operation and adjust if required.

**Replacement:** If tines are worn excessively, damaged or broken, replace them as quickly as possible to ensure the proper and efficient operation of the AerWay® implement. Remove the tine which is to be replaced and clear the clamping area of any debris and/or corrosion. Insert the replacement tine, verifying that you have the correct side and direction, into the clean clamping location. The Tine part number, in most cases, can be found on the clamping surface of the part. Using the new hardware provided in the tine replacement kit, insert the bolt and washer (washer to be located on head side of bolt) through the clamping plates and replacement tine. Fasten the tine with the flange nut provided and torque to 130ft. lbs. (175N.m.). Then to ensure proper pre-load add a quarter turn to each fastener. Re-torque the tine bolts to 130ft.lbs. (175N.m.) after 10 hours of operation from replacement. Verify torque on the tine bolts after every 30 hours of operation and adjust if required.

## Roller Bearing Maintenance and Lubrication

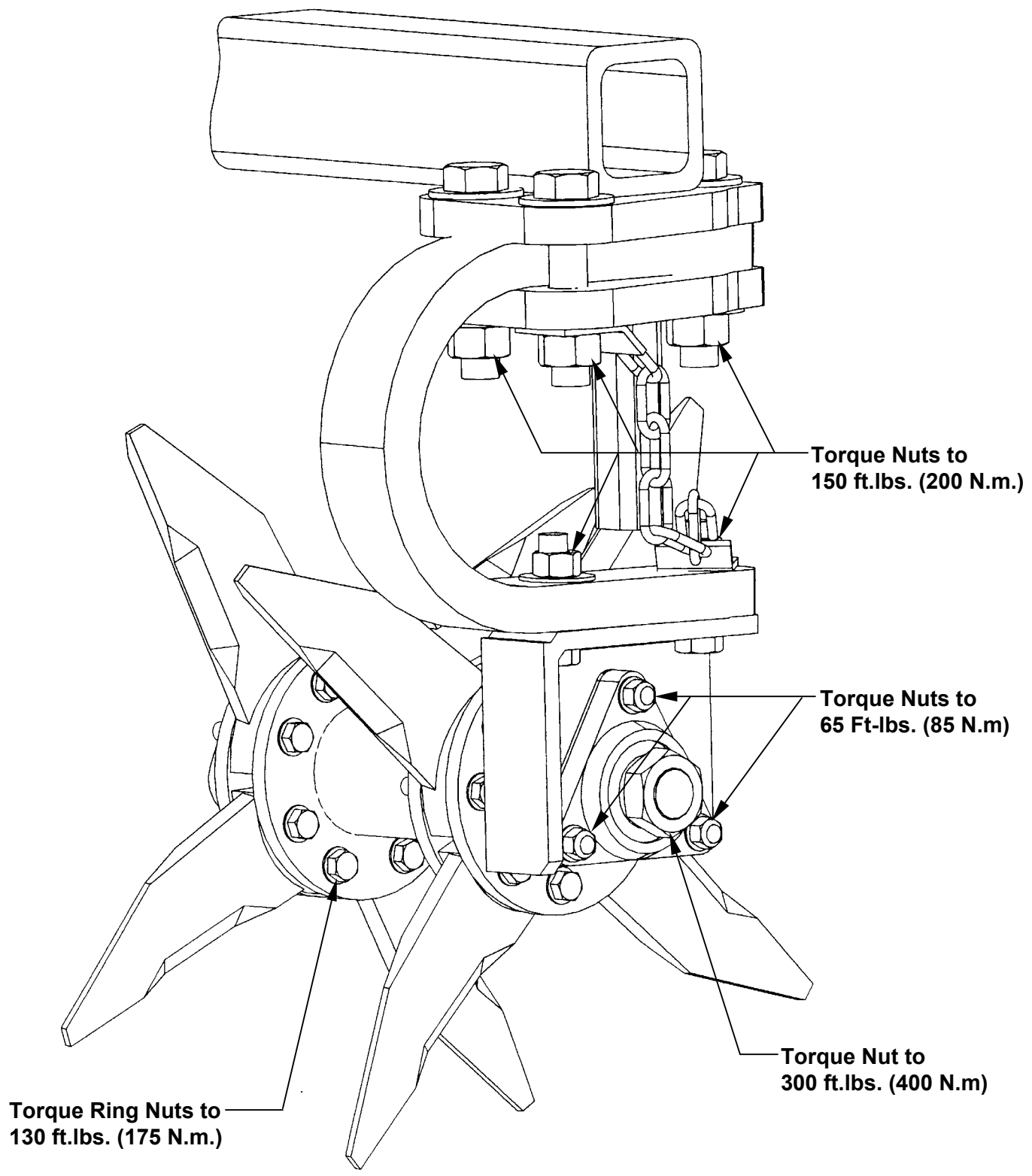
**Maintenance:** Lubricate bearings daily, with a water resistant, lithium based, EP 2 grease. In aggressive conditions, you may need to lubricate more frequently. Use sufficient grease to purge contaminants out of the bearing and provide a fresh barrier. Lubricate at the end of the season or when the unit is going to be stored or out of service for an extended period of time. This process will purge moisture from the bearing. The fresh grease will act as a corrosion inhibitor preventing rust and will flush out any abrasive particles that could act as a grinding compound in a rotating bearing causing shortened life and premature failure.

**NOTE:** The effectiveness of the re-lubrication process is increased by having this occur while the bearing is being rotated. This ensures that the fresh grease will be evenly distributed throughout the bearing while purging the contaminated grease. Rotation at hand speed is sufficient to achieve this. Be careful not to allow hands, clothing or any other object to become entangled in the rotating tines. Re-greasing should continue until fresh grease is visible. Many customers prefer to perform this maintenance at the end of each day.

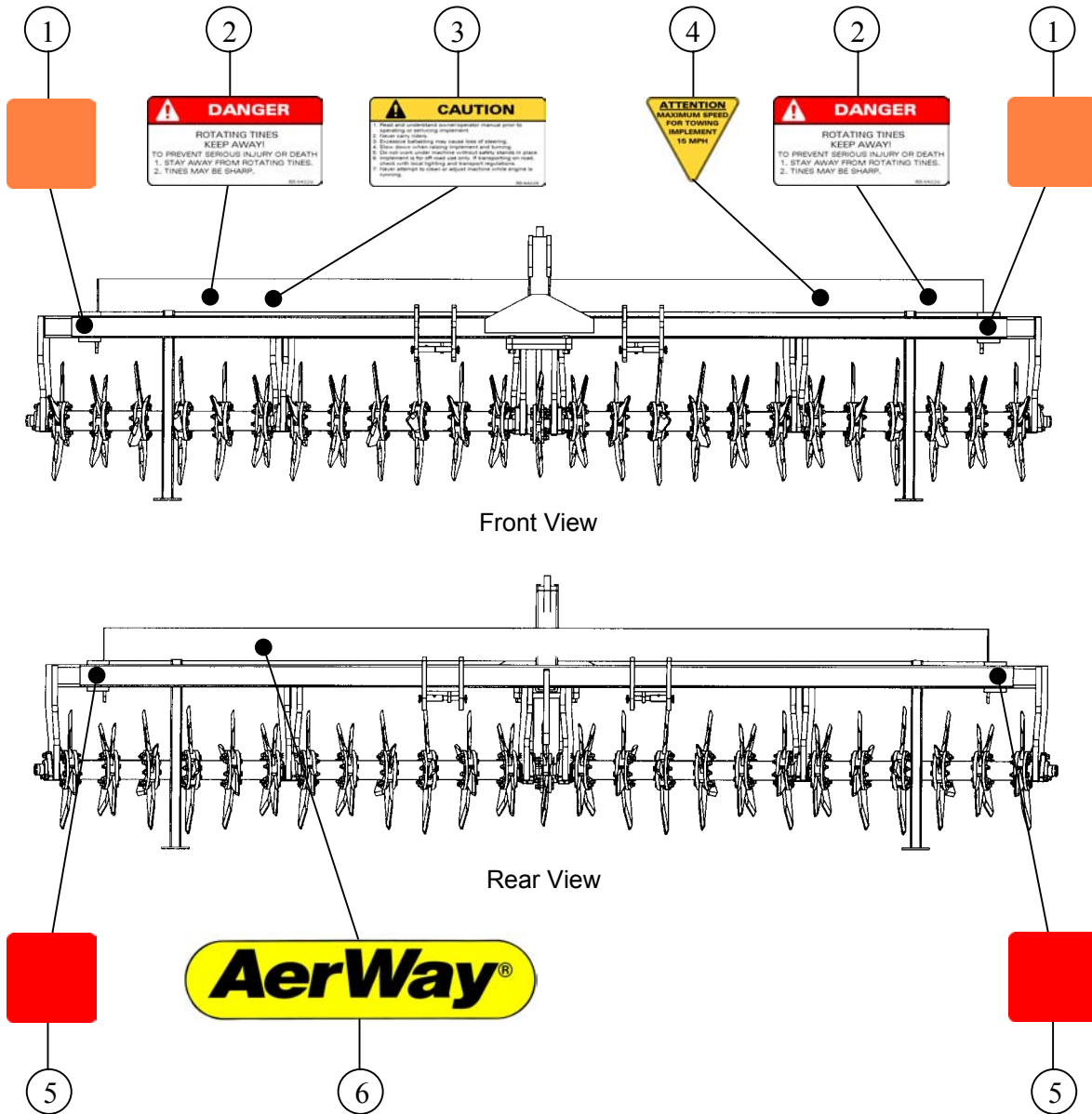
## C-spring Maintenance

**Maintenance:** If your unit is equipped with the C-spring option, these components should be inspected on a regular basis. During inspection ensure that the spring is not damaged, or cracked. Inspect the retaining chains and verify that they are complete and attached properly. Torque the C-spring attaching bolts to 150ft. lbs. (200 N.m.) after 10 hours of operation from initial start-up. Verify torque on the C-spring bolts after every 30 hours of operation and adjust if required.

### Maintenance Torque Values



### Safety / Warning Decals

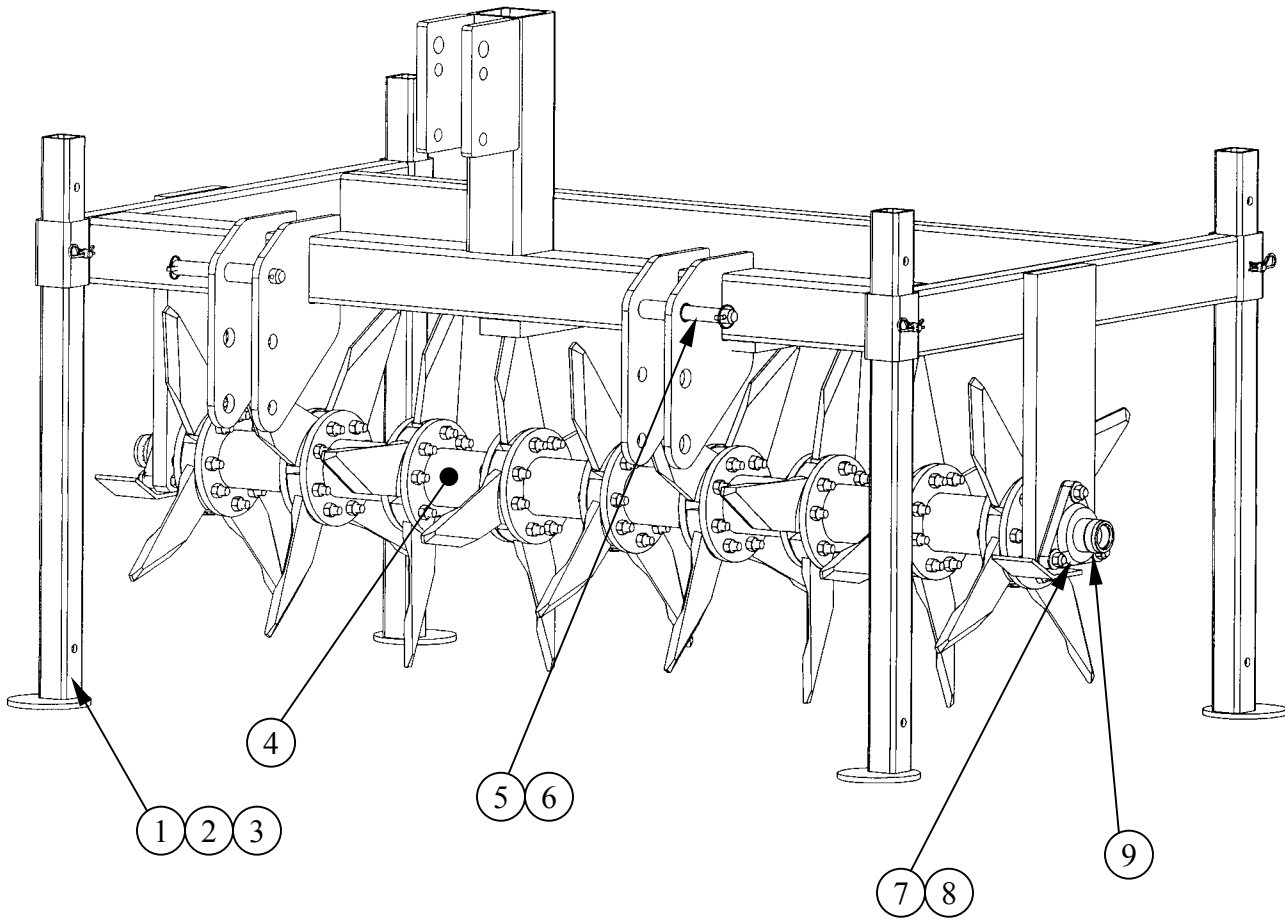


### Safety / Warning Decals

Ref. No.	Part No.	Description	No. Req.
1	XB-56515	ORANGE REFLECTIVE TAPE	2
2	XB-64229	ROTATING TINE DECAL	2
3	XB-64228	CAUTION DECAL	1
4	XB-63595	MAXIMUM SPEED DECAL	1
5	XB-56514	RED REFLECTIVE TAPE	2
6	XB-53933	AERWAY LOGO DECAL	1



### 5' & 6' Standard



**AW050S- \*\*\*\* ( unit not shown)**

Ref. No.	Part No.	Description	No. Req.
1	XA-64835	JACK LEG ASS'Y	4
2	XB-53990	JACK LEG PIN	4
3	XB-53989	CLIP PIN	4
4	XA-64812-01	ROLLER ASS'Y (includes two of item 9)	1
4*	XA-64812	ROLLER SHAFT	1
4*	XE-53655-01	AERWAY TINE 8" AGRICULTURAL - RH	32
5	XB-63899	HITCH PIN	2
6	XB-53987-2	QUICK LYNCH PIN	4
7	XB-53988	BEARING	2
8	XA-53767	SHIM PAD	2
9	XB-56850	LOCKNUT, NYLON INSERT, 1-3/8" – 12 PLATED	2

\* individual replacement parts used in main assembly.

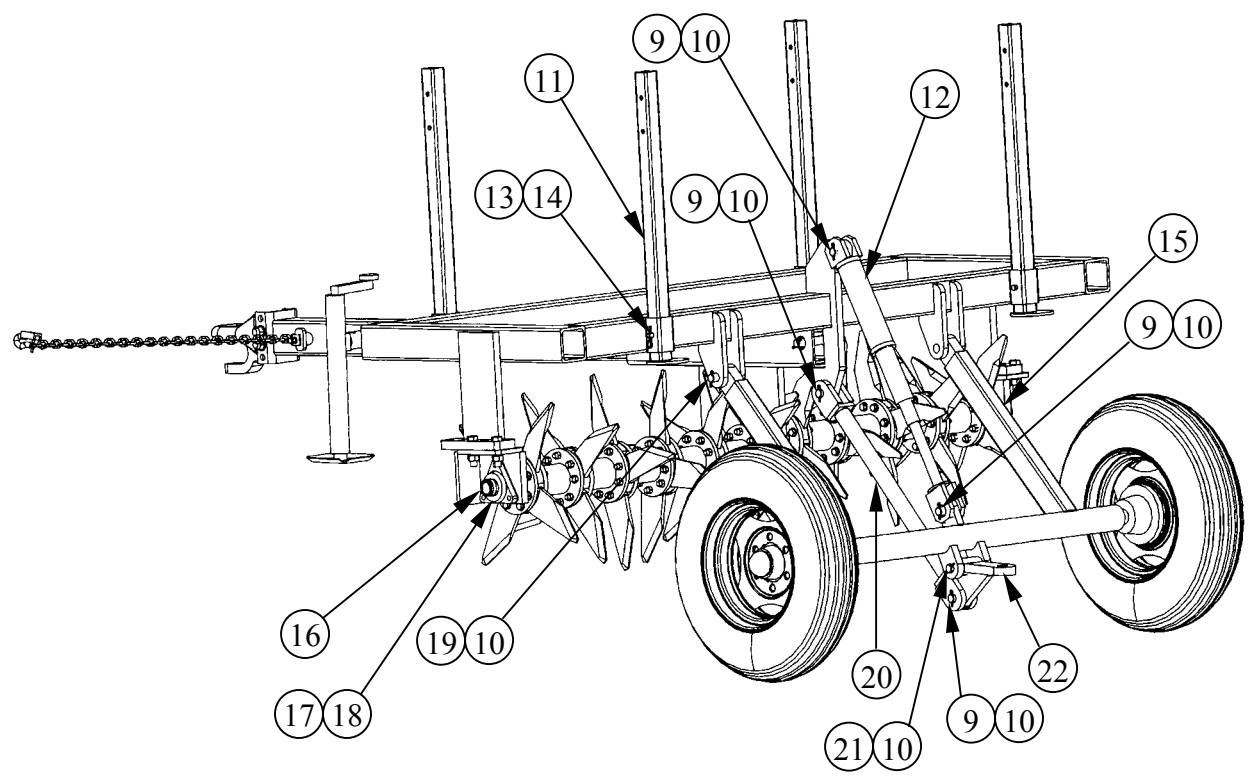
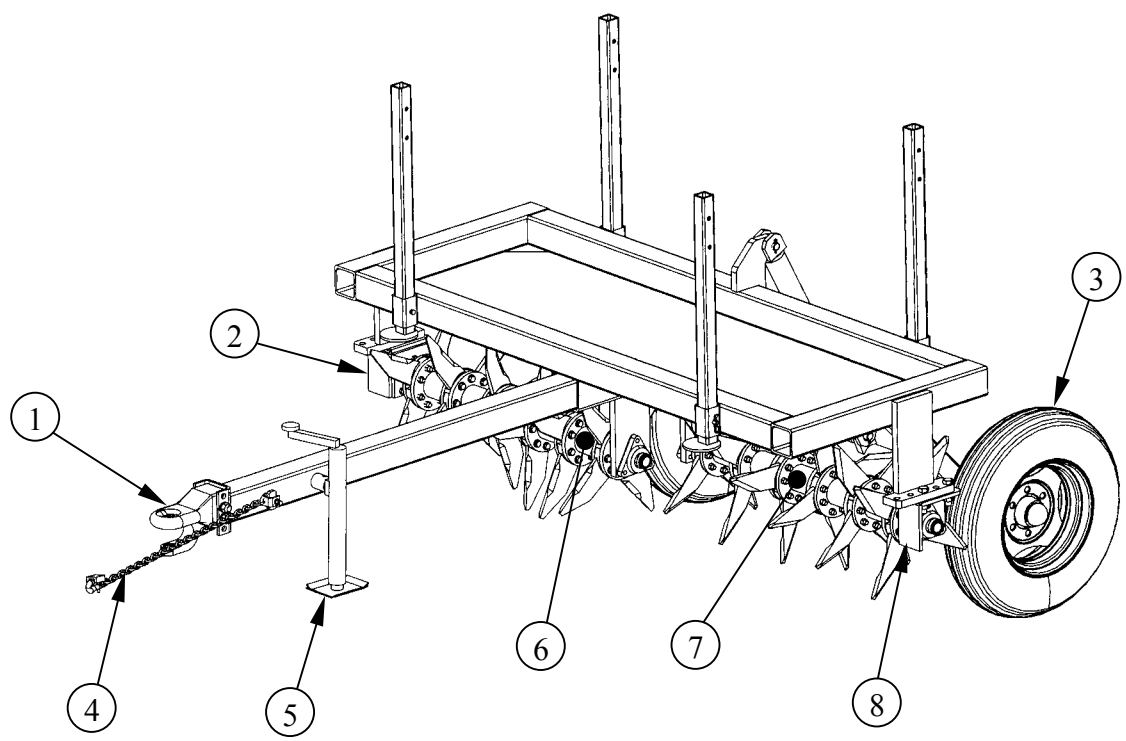
**AW060S- \*\*\*\* ( unit shown)**

Ref. No.	Part No.	Description	No. Req.
1	XA-64835	JACK LEG ASS'Y	4
2	XB-53990	JACK LEG PIN	4
3	XB-53989	CLIP PIN	4
4	XA-64813-01	ROLLER ASS'Y (includes two of item 9)	1
4*	XA-64813	ROLLER SHAFT	1
4*	XE-53655-01	AERWAY TINE 8" AGRICULTURAL - RH	36
5	XB-63899	HITCH PIN	2
6	XB-53987-2	QUICK LYNCH PIN	4
7	XB-53988	BEARING	2
8	XA-53767	SHIM PAD	2
9	XB-56850	LOCKNUT, NYLON INSERT, 1-3/8" – 12 PLATED	2

\* individual replacement parts used in main assembly.



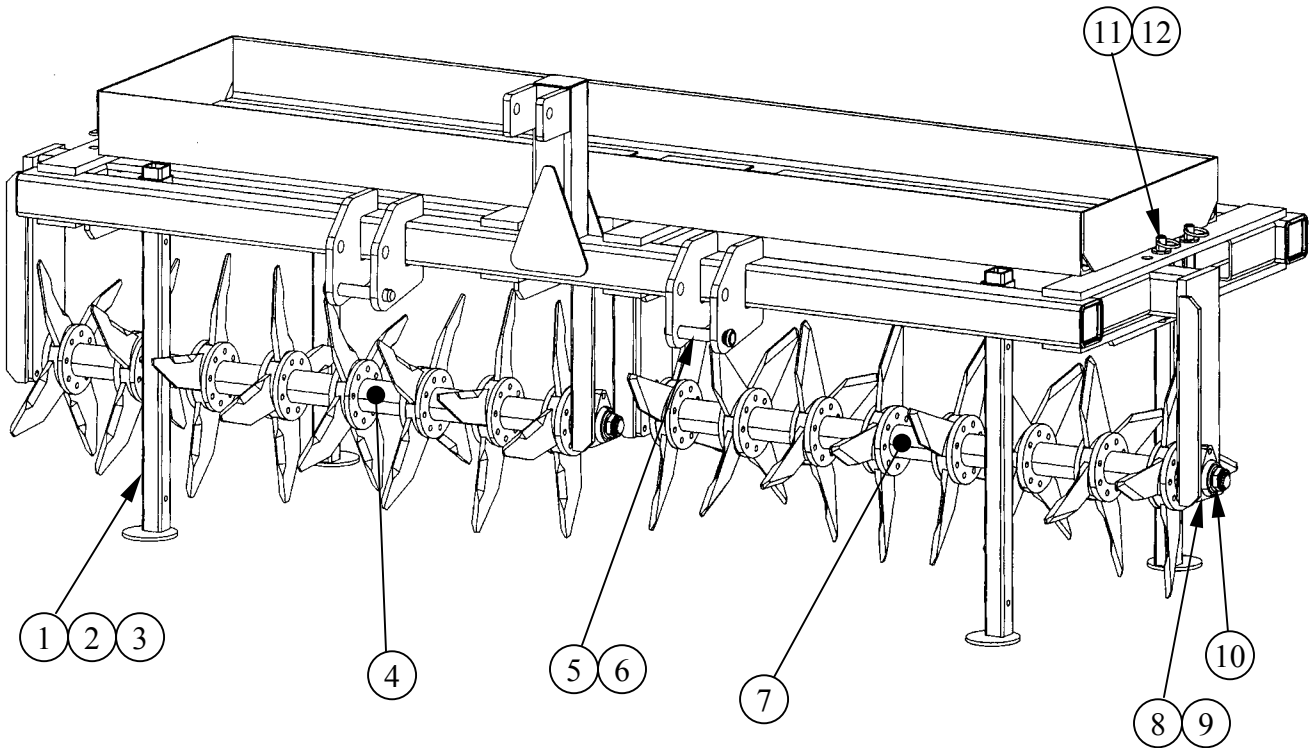
### 8' Standard Hydraulic



**AW080H- \*\*\*\* ( unit shown)**

Ref. No.	Part No.	Description	No. Req.
1	XB-64172	CAT II HITCH	1
2	XA-64806	BEARING END PLATE WELDMENT RH	1
3	XB-53680	7.60X15 – 6 PLY TIRE c/w 15X6X6 AGRI RIM	2
4	XB-65917	SAFETY CHAIN ASS'Y	1
5	TR-AT81262	SWIVEL JACK ASS'Y 2000#	1
6	XA-64745-02	ROLLER ASS'Y – RH	1
6*	XA-64745	ROLLER SHAFT	1
6*	XE-53655-02	AERWAY TINE 8" AGRICULTURAL - RH	24
7	XA-64745-01	ROLLER ASS'Y – LH	1
7*	XA-64745	ROLLER SHAFT	1
7*	XE-53655-01	AERWAY TINE 8" AGRICULTURAL - LH	24
8	XA-64805	BEARING END PLATE WELDMENT LH	1
9	XB-63348	PIN CLEVIS 1" X 3" LG.	4
10	XB-65838	COTTER PIN 3/16" X 1-1/2" LG PLATED	7
11	XA-53819	JACK LEG ASS'Y	4
12	XB-64798	CYLINDER 3" X 10" STROKE (see page 40)	1
13	XB-53990	JACK LEG PIN	4
14	XB-53989	CLIP PIN	4
15	XA-64789	LIFTFRAME ASS'Y	1
16	XB-53988	BEARING	2
17	XA-53767	SHIM PAD	2
18	XB-56850	LOCKNUT, NYLON INSERT, 1-3/8" – 12 PLATED	2
19	XB-56165	PIN CLEVIS 1" X 4" LG.	2
20	XA-64794	REAR HITCH ARM ASS'Y	1
21	XB-56166	PIN 1" X 6" LG.	1
22	XA-64796	REAR HITCH ASS'Y	1

**6', 8', 10' & 12' Quick Adjust  
( two roller )**



**AW060Q- \*\*\*\* ( unit not shown)**

Ref. No.	Part No.	Description	No. Req.
1	XA-53819	JACK LEG ASS'Y	4
2	XB-53990	JACK LEG PIN	4
3	XB-53989	CLIP PIN	4
4	XA-64717-02	ROLLER ASS'Y – RH (includes two of item 10)	1
4*	XA-64717	ROLLER SHAFT	1
4*	XE-53655-02	AERWAY TINE 8" AGRICULTURAL - RH	16
5	XB-63899	HITCH PIN	2
6	XB-53987-2	QUICK LYNCH PIN	4
7	XA-64717-01	ROLLER ASS'Y – LH (includes two of item 10)	1
7*	XA-64717	ROLLER SHAFT	1
7*	XE-53655-01	AERWAY TINE 8" AGRICULTURAL - LH	16
8	XB-53988	BEARING	4
9	XA-53767	SHIM PAD	4
10	XB-56850	LOCKNUT, NYLON INSERT, 1-3/8" – 12 PLATED	4
11	XB-53985	ADJUSTING PIN, 1" X 7" LG.	4
12	XB-53987-2	LYNCH PIN, 1/4"	4

\* individual replacement parts used in main assembly.



**AW080Q- \*\*\*\* ( unit not shown)**

Ref. No.	Part No.	Description	No. Req.
1	XA-53819	JACK LEG ASS'Y	4
2	XB-53990	JACK LEG PIN	4
3	XB-53989	CLIP PIN	4
4	XA-64745-02	ROLLER ASS'Y – RH (includes two of item 10)	1
4*	XA-64745	ROLLER SHAFT	1
4*	XE-53655-02	AERWAY TINE 8" AGRICULTURAL - RH	24
5	XA-53308	PIN LINK	2
6	XB-53987-01	QUICK LYNCH PIN	2
7	XA-64745-01	ROLLER ASS'Y – LH (includes two of item 10)	2
7*	XA-64745	ROLLER SHAFT	1
7*	XE-53655-01	AERWAY TINE 8" AGRICULTURAL - LH	24
8	XB-53988	BEARING	4
9	XA-53767	SHIM PAD	4
10	XB-56850	LOCKNUT, NYLON INSERT, 1-3/8" – 12 PLATED	4
11	XB-53985	ADJUSTING PIN, 1" X 7" LG.	4
12	XB-53987-2	LYNCH PIN, 1/4"	4

\* individual replacement parts used in main assembly.

**AW100Q- \*\*\*\* ( unit shown)**

Ref. No.	Part No.	Description	No. Req.
1	XA-53819	JACK LEG ASS'Y	4
2	XB-53990	JACK LEG PIN	4
3	XB-53989	CLIP PIN	4
4	XA-64746-02	ROLLER ASS'Y – RH (includes two of item 10)	1
4*	XA-64746	ROLLER SHAFT	1
4*	XE-53655-02	AERWAY TINE 8" AGRICULTURAL - RH	32
5	XA-53308	PIN LINK	2
6	XB-53987-01	QUICK LYNCH PIN	2
7	XA-64746-01	ROLLER ASS'Y – LH (includes two of item 10)	1
7*	XA-64746	ROLLER SHAFT	1
7*	XE-53655-01	AERWAY TINE 8" AGRICULTURAL - LH	32
8	XB-53988	BEARING	4
9	XA-53767	SHIM PAD	4
10	XB-56850	LOCKNUT, NYLON INSERT, 1-3/8" – 12 PLATED	4
11	XB-53985	ADJUSTING PIN, 1" X 7" LG.	4
12	XB-53987-2	LYNCH PIN, 1/4"	4

\* individual replacement parts used in main assembly.

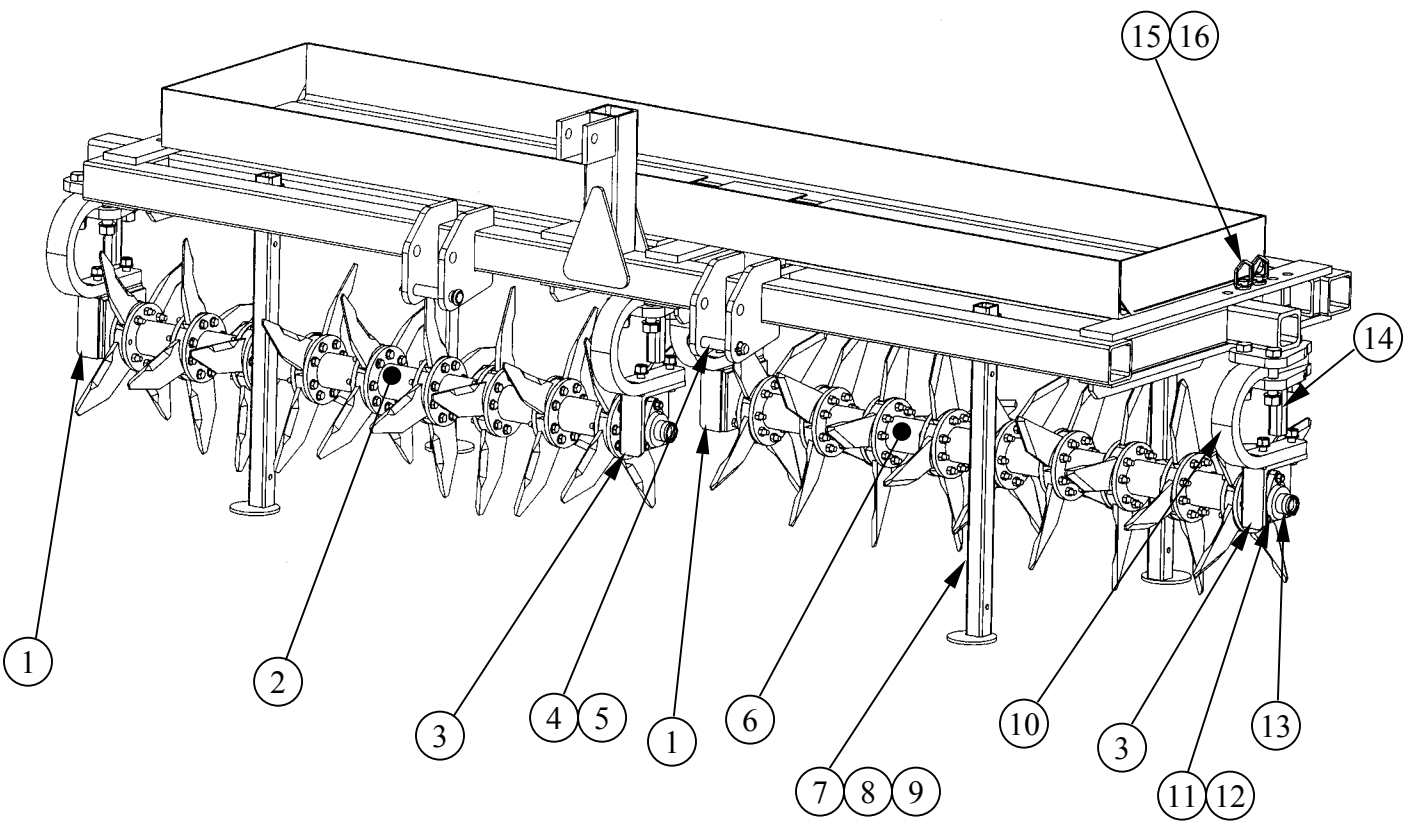
**AW120Q- \*\*\*\* ( unit not shown)**

Ref. No.	Part No.	Description	No. Req.
1	XA-53819	JACK LEG ASS'Y	4
2	XB-53990	JACK LEG PIN	4
3	XB-53989	CLIP PIN	4
4	XA-65392-02	ROLLER ASS'Y – RH (includes two of item 10)	1
4*	XA-65392	ROLLER SHAFT	1
4*	XE-53655-02	AERWAY TINE 8" AGRICULTURAL - RH	36
5	XA-53308	PIN LINK	2
6	XB-53987-01	QUICK LYNCH PIN	2
7	XA-64747-01	ROLLER ASS'Y – LH (includes two of item 10)	1
7*	XA-64747	ROLLER SHAFT	1
7*	XE-53655-01	AERWAY TINE 8" AGRICULTURAL - LH	36
8	XB-53988	BEARING	4
9	XA-53767	SHIM PAD	4
10	XB-56850	LOCKNUT, NYLON INSERT, 1-3/8" – 12 PLATED	4
11	XB-53985	ADJUSTING PIN, 1" X 7" LG.	4
12	XB-53987-2	LYNCH PIN, 1/4"	4

\* individual replacement parts used in main assembly.



**8', 10' & 12' Quick Adjust, C-Flex  
( two roller )**



**AW08CQ- \*\*\*\* ( unit not shown)**

Ref. No.	Part No.	Description	No. Req.
1	XA-56586	BEARING END PLATE ASSY R.H.	2
2	XA-64811-02	ROLLER ASS'Y – RH (includes two of item 13)	1
2*	XA-64811	ROLLER SHAFT	1
2*	XE-53655-02	AERWAY TINE 8" AGRICULTURAL - RH	24
3	XA-56584	BEARING END PLATE ASSY L.H.	2
4	XA-53308	PIN, LINK, CAT II	2
5	XB-53987-01	QUICK LYNCH PIN	2
6	XA-64811-01	ROLLER ASS'Y – LH (includes two of item 13)	1
6*	XA-64811	ROLLER SHAFT	1
6*	XE-53655-01	AERWAY TINE 8" AGRICULTURAL - LH	24
7	XA-53819	JACK LEG ASS'Y	4
8	XB-53990	JACK LEG PIN	4
9	XB-53989	CLIP PIN	4
10	XB-56449	C-FLEX SPRING	4
11	XB-53988	BEARING	4
12	XA-53767	SHIM PAD	4
13	XB-56850	LOCKNUT, NYLON INSERT, 1-3/8" – 12 PLATED	4
14	XA-63871	STROKE LIMITER	4
15	XB-53985	ADJUSTING PIN, 1" X 7" LG.	4
16	XB-53987-2	LYNCH PIN, 1/4"	4

\* individual replacement parts used in main assembly.

**AW10CQ- \*\*\*\* ( unit not shown)**

Ref. No.	Part No.	Description	No. Req.
1	XA-56586	BEARING END PLATE ASSY R.H.	2
2	XA-64746-02	ROLLER ASS'Y – RH (includes two of item 13)	1
2*	XA-64746	ROLLER SHAFT	1
2*	XE-53655-02	AERWAY TINE 8" AGRICULTURAL - RH	32
3	XA-56584	BEARING END PLATE ASSY L.H.	2
4	XA-53308	PIN, LINK, CAT II	2
5	XB-53987-01	QUICK LYNCH PIN	2
6	XA-64746-01	ROLLER ASS'Y – LH (includes two of item 13)	1
6*	XA-64746	ROLLER SHAFT	1
6*	XE-53655-01	AERWAY TINE 8" AGRICULTURAL - LH	32
7	XA-53819	JACK LEG ASS'Y	4
8	XB-53990	JACK LEG PIN	4
9	XB-53989	CLIP PIN	4
10	XB-56449	C-FLEX SPRING	4
11	XB-53988	BEARING	4
12	XA-53767	SHIM PAD	4
13	XB-56850	LOCKNUT, NYLON INSERT, 1-3/8" – 12 PLATED	4
14	XA-63871	STROKE LIMITER	4
15	XB-53985	ADJUSTING PIN, 1" X 7" LG.	4
16	XB-53987-2	LYNCH PIN, 1/4"	4

\* individual replacement parts used in main assembly.

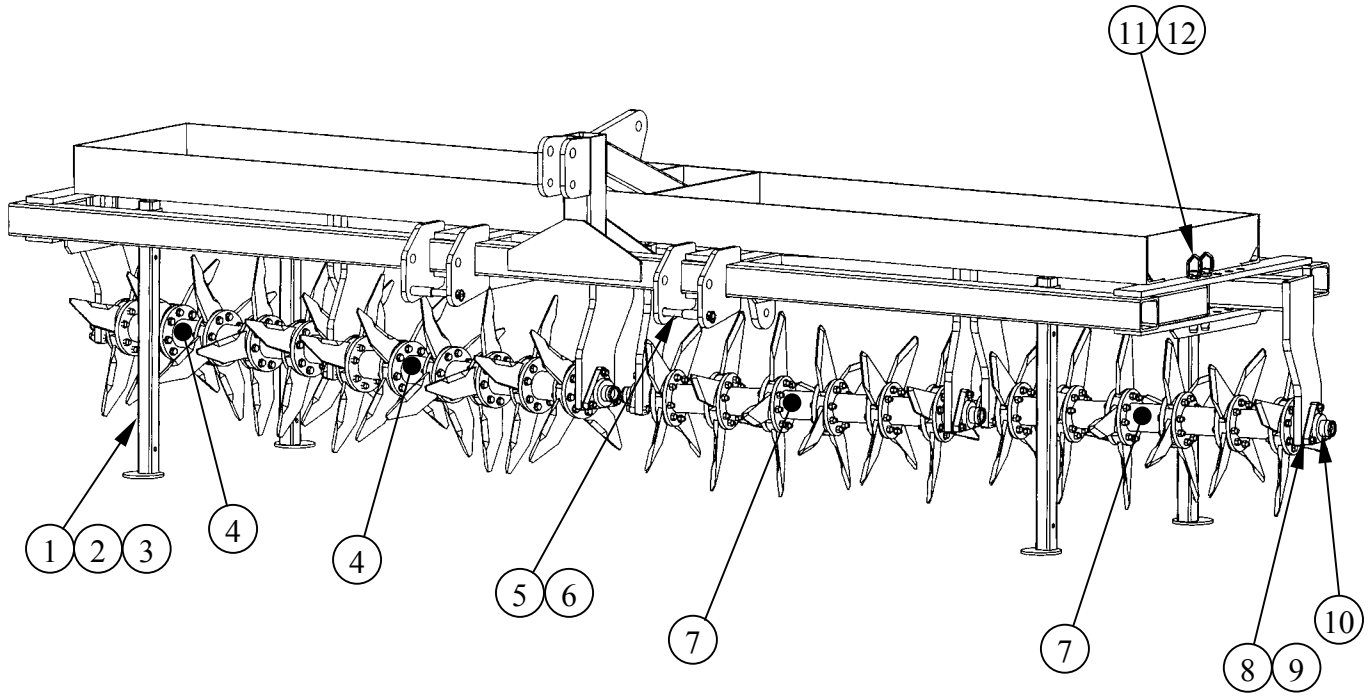
### AW12CQ- \*\*\*\* ( unit shown)

Ref. No.	Part No.	Description	No. Req.
1	XA-56586	BEARING END PLATE ASSY R.H.	2
2	XA-65392-02	ROLLER ASS'Y – RH (includes two of item 13)	1
2*	XA-65392	ROLLER SHAFT	1
2*	XE-53655-02	AERWAY TINE 8" AGRICULTURAL - RH	36
3	XA-56584	BEARING END PLATE ASSY L.H.	2
4	XA-53308	PIN, LINK, CAT II	2
5	XB-53987-01	QUICK LYNCH PIN	2
6	XA-64747-01	ROLLER ASS'Y – LH (includes two of item 13)	1
6*	XA-64747	ROLLER SHAFT	1
6*	XE-53655-01	AERWAY TINE 8" AGRICULTURAL - LH	36
7	XA-53819	JACK LEG ASS'Y	4
8	XB-53990	JACK LEG PIN	4
9	XB-53989	CLIP PIN	4
10	XB-56449	C-FLEX SPRING	4
11	XB-53988	BEARING	4
12	XA-53767	SHIM PAD	4
13	XB-56850	LOCKNUT, NYLON INSERT, 1-3/8" – 12 PLATED	4
14	XA-63871	STROKE LIMITER	4
15	XB-53985	ADJUSTING PIN, 1" X 7" LG.	4
16	XB-53987-2	LYNCH PIN, 1/4"	4

\* individual replacement parts used in main assembly.



**15' & 20' Quick Adjust  
( four roller )**



**AW150Q- \*\*\*\* ( unit not shown)**

Ref. No.	Part No.	Description	No. Req.
1	XA-53819	JACK LEG ASS'Y	4
2	XB-53990	JACK LEG PIN	4
3	XB-53989	CLIP PIN	4
4	XA-64745-02	ROLLER ASS'Y – RH (includes two of item 10)	2
4*	XA-64745	ROLLER SHAFT	1
4*	XE-53655-02	AERWAY TINE 8" AGRICULTURAL - RH	24
5	XB-63461	CATEGORY PIN II TO III	2
6	XB-53987-01	QUICK LYNCH PIN	4
7	XA-64745-01	ROLLER ASS'Y – LH (includes two of item 10)	2
7*	XA-64745	ROLLER SHAFT	1
7*	XE-53655-01	AERWAY TINE 8" AGRICULTURAL - LH	24
8	XB-53988	BEARING	8
9	XA-53767	SHIM PAD	8
10	XB-56850	LOCKNUT, NYLON INSERT, 1-3/8" – 12 PLATED	8
11	XB-53985	ADJUSTING PIN, 1" X 7" LG.	4
12	XB-53987-2	LYNCH PIN, 1/4"	4

\* individual replacement parts used in main assembly.

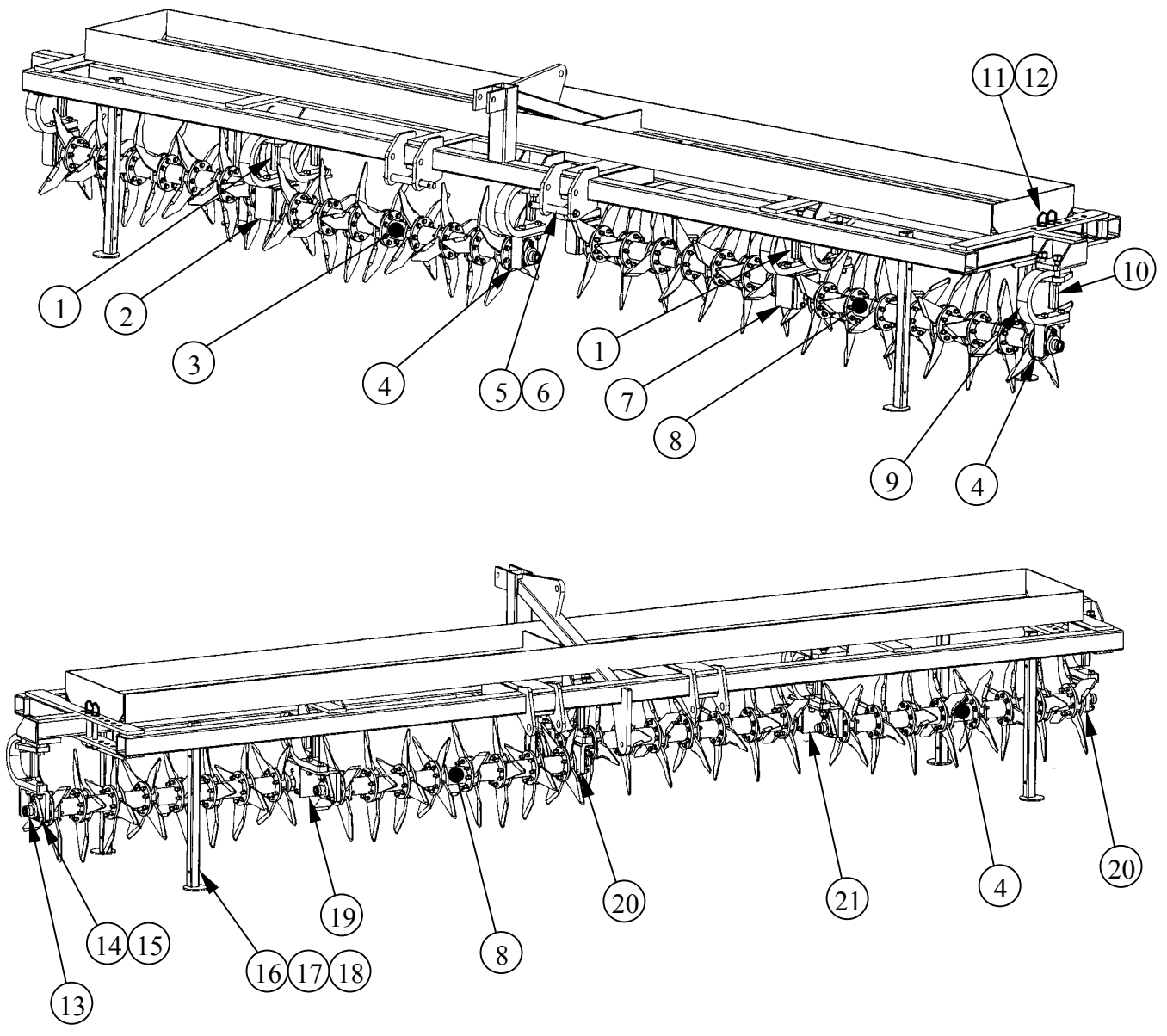
**AW200Q- \*\*\*\* ( unit not shown)**

Ref. No.	Part No.	Description	No. Req.
1	XA-53819	JACK LEG ASS'Y	4
2	XB-53990	JACK LEG PIN	4
3	XB-53989	CLIP PIN	4
4	XA-65391-02	ROLLER ASS'Y – RH (includes two of item 10)	2
4*	XA-65391	ROLLER SHAFT	1
4*	XE-53655-02	AERWAY TINE 8" AGRICULTURAL - RH	32
5	XB-63461	CATEGORY PIN II TO III	2
6	XB-53987-01	QUICK LYNCH PIN	4
7	XA-65002-01	ROLLER ASS'Y – LH (includes two of item 10)	2
7*	XA-65002	ROLLER SHAFT	1
7*	XE-53655-01	AERWAY TINE 8" AGRICULTURAL - LH	32
8	XB-53988	BEARING	8
9	XA-53767	SHIM PAD	8
10	XB-56850	LOCKNUT, NYLON INSERT, 1-3/8" – 12 PLATED	8
11	XB-53985	ADJUSTING PIN, 1" X 7" LG.	4
12	XB-53987-2	LYNCH PIN, 1/4"	4

\* individual replacement parts used in main assembly.



**12', 15' & 20' Quick Adjust, C-Flex  
( four roller )**



**AW12CQ- \*\*\*\* ( unit not shown)**

Ref. No.	Part No.	Description	No. Req.
1	XA-63873	STROKE LIMITER	2
2	XA-63714	CENTRE BEARING END PLATE ASS'Y RH	1
3	XA-66268-02	ROLLER ASS'Y – RH (includes two of item 13)	2
3*	XA-66268	ROLLER SHAFT	1
3*	XE-53655-02	AERWAY TINE 8" AGRICULTURAL - RH	20
4	XA-56584	BEARING END PLATE ASS'Y LH	2
5	XB-63461	CATEGORY PIN II TO III	2
6	XB-53987-01	QUICK LYNCH PIN	4
7	XA-63558	CENTRE BEARING END PLATE ASS'Y RH	1
8	XA-66267-01	ROLLER ASS'Y – LH (includes two of item 13)	2
8*	XA-66267	ROLLER SHAFT	1
8*	XE-53655-01	AERWAY TINE 8" AGRICULTURAL - LH	20
9	XB-56449	C-FLEX SPRING	8
10	XA-63872	STROKE LIMITER	6
11	XB-53985	ADJUSTING PIN, 1" X 7" LG.	4
12	XB-53987-2	LYNCH PIN, ¼"	4
13	XB-56850	LOCKNUT, NYLON INSERT, 1-3/8" – 12 PLATED	8
14	XB-53988	BEARING	8
15	XA-53767	SHIM PAD	8
16	XA-53819	JACK LEG ASS'Y	4
17	XB-53990	JACK LEG PIN	4
18	XB-53989	CLIP PIN	4
19	XA-63372	CENTRE BEARING END PLATE ASS'Y LH	1
20	XA-56586	BEARING END PLATE ASS'Y RH	2
21	XA-56702	CENTRE BEARING END PLATE ASS'Y LH	1

\* individual replacement parts used in main assembly.

**AW15CQ- \*\*\*\* ( unit not shown)**

Ref. No.	Part No.	Description	No. Req.
1	XA-63873	STROKE LIMITER	2
2	XA-63714	CENTRE BEARING END PLATE ASS'Y RH	1
3	XA-64745-02	ROLLER ASS'Y – RH (includes two of item 13)	2
3*	XA-64745	ROLLER SHAFT	1
3*	XE-53655-02	AERWAY TINE 8" AGRICULTURAL - RH	24
4	XA-56584	BEARING END PLATE ASS'Y LH	2
5	XB-63461	CATEGORY PIN II TO III	2
6	XB-53987-01	QUICK LYNCH PIN	4
7	XA-63558	CENTRE BEARING END PLATE ASS'Y RH	1
8	XA-64745-01	ROLLER ASS'Y – LH (includes two of item 13)	2
8*	XA-64745	ROLLER SHAFT	1
8*	XE-53655-01	AERWAY TINE 8" AGRICULTURAL - LH	24
9	XB-56449	C-FLEX SPRING	8
10	XA-63872	STROKE LIMITER	6
11	XB-53985	ADJUSTING PIN, 1" X 7" LG.	4
12	XB-53987-2	LYNCH PIN, 1/4"	4
13	XB-56850	LOCKNUT, NYLON INSERT, 1-3/8" – 12 PLATED	8
14	XB-53988	BEARING	8
15	XA-53767	SHIM PAD	8
16	XA-53819	JACK LEG ASS'Y	4
17	XB-53990	JACK LEG PIN	4
18	XB-53989	CLIP PIN	4
19	XA-63372	CENTRE BEARING END PLATE ASS'Y LH	1
20	XA-56586	BEARING END PLATE ASS'Y RH	2
21	XA-56702	CENTRE BEARING END PLATE ASS'Y LH	1

\* individual replacement parts used in main assembly.

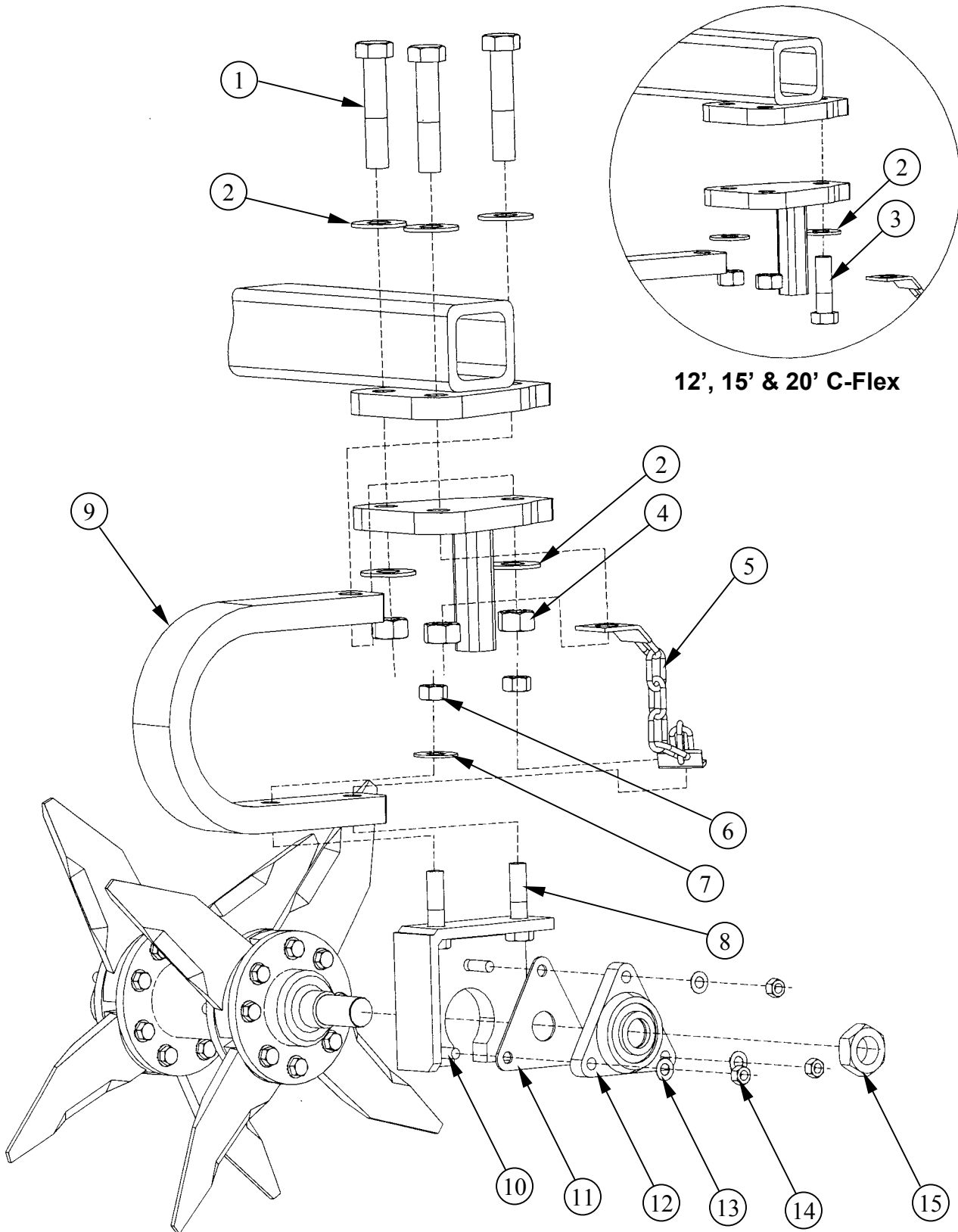
**AW20CQ- \*\*\*\* (unit shown)**

Ref. No.	Part No.	Description	No. Req.
1	XA-63873	STROKE LIMITER	2
2	XA-63714	CENTRE BEARING END PLATE ASS'Y RH	1
3	XA-65391-02	ROLLER ASS'Y – RH (includes two of item 13)	2
3*	XA-65391	ROLLER SHAFT	1
3*	XE-53655-02	AERWAY TINE 8" AGRICULTURAL - RH	32
4	XA-56584	BEARING END PLATE ASS'Y LH	2
5	XB-63461	CATEGORY PIN II TO III	2
6	XB-53987-01	QUICK LYNCH PIN	4
7	XA-63558	CENTRE BEARING END PLATE ASS'Y RH	1
8	XA-65002-01	ROLLER ASS'Y – LH (includes two of item 13)	2
8*	XA-65002	ROLLER SHAFT	1
8*	XE-53655-01	AERWAY TINE 8" AGRICULTURAL - LH	32
9	XB-56449	C-FLEX SPRING	8
10	XA-63872	STROKE LIMITER	6
11	XB-53985	ADJUSTING PIN, 1" X 7" LG.	4
12	XB-53987-2	LYNCH PIN, ¼"	4
13	XB-56850	LOCKNUT, NYLON INSERT, 1-3/8" – 12 PLATED	8
14	XB-53988	BEARING	8
15	XA-53767	SHIM PAD	8
16	XA-53819	JACK LEG ASS'Y	4
17	XB-53990	JACK LEG PIN	4
18	XB-53989	CLIP PIN	4
19	XA-63372	CENTRE BEARING END PLATE ASS'Y LH	1
20	XA-56586	BEARING END PLATE ASS'Y RH	2
21	XA-56702	CENTRE BEARING END PLATE ASS'Y LH	1

\* individual replacement parts used in main assembly.



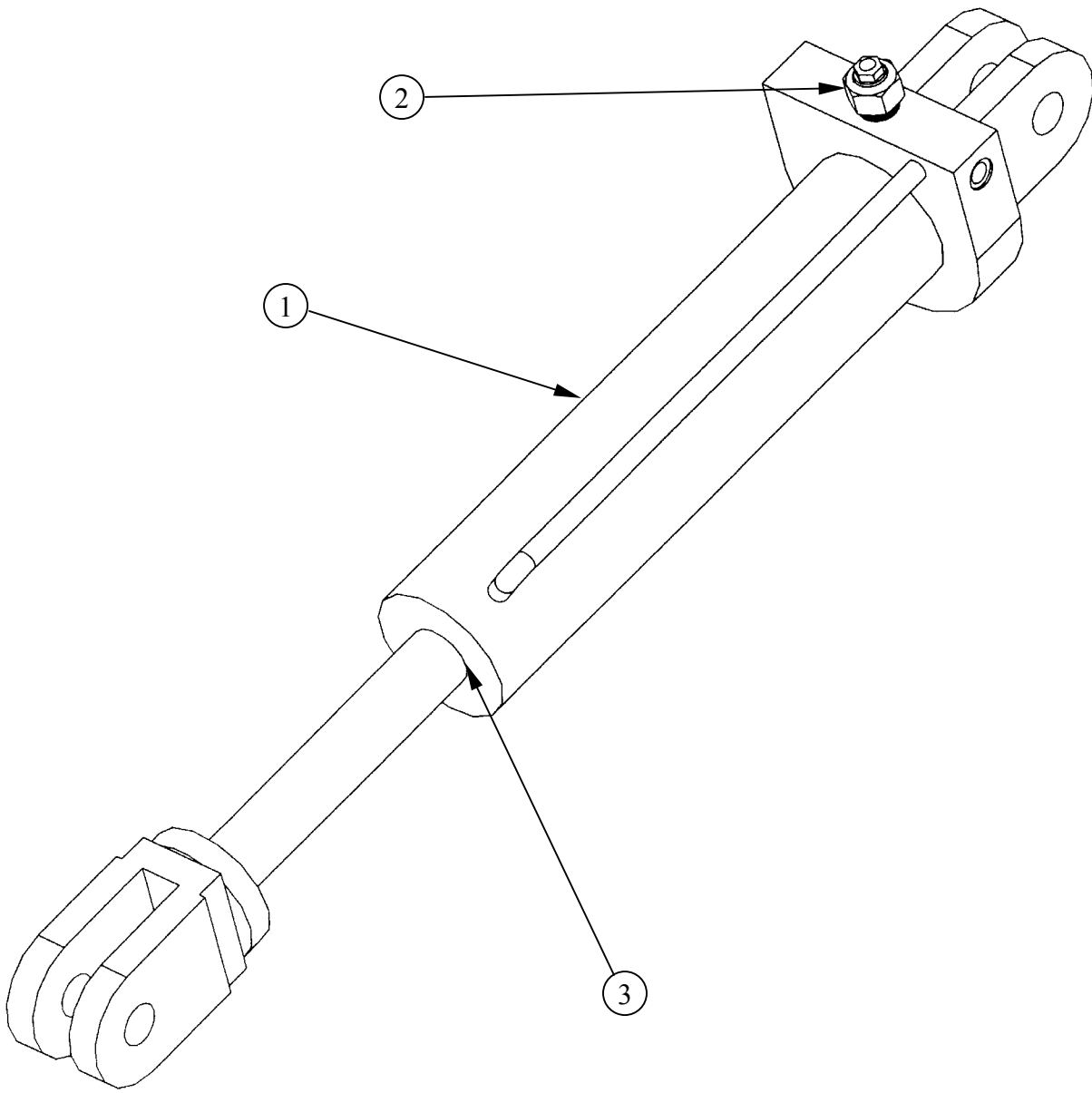
### Bearing & C-Flex Detail



### Bearing & C-Flex Detail

Ref. No.	Part No.	Description	No. Req.
1	XF-01-100C8-500P	BOLT 1" - 8 X 5" GR. 8	3
2	XF-41-100-8P	FLATWASHER 1" GR. 8	5
3	XF-01-100C8-350-P	BOLT 1" - 8 X 3 1/2" GR. 8 (12', 15', & 20' C-Flex only)	1
4	XF-31-100C8	LOCKNUT 1" -8 GR. 8	3
5	XA-65339	RETAINING CHAIN	1
6	XF-21-075C5-P	HEX NUT 3/4" - 10 GR. 5	2
7	XF-42-075-5P	LOCKWASHER 3/4" GR. 5	1
8	XF-01-075C5-300P	BOLT 3/4" - 10 X 3" GR. 5	2
9	XB-56449	C-FLEX SPRING	1
10	TB-XB-718527	BOLT 1/2" - 20 X 2 1/2" GR. 5	3
11	XA-53767	SHIM PAD	1
12	XB-53988	BEARING	1
13	XB-T-45	LOCKWASHER 1/2" GR. 5	3
14	XF-21-050F5-P	HEX NUT 1/2" - 20 GR. 5	3
15	XB-56850	LOCKNUT, NYLON INSERT, 1-3/8" - 12 PLATED	1

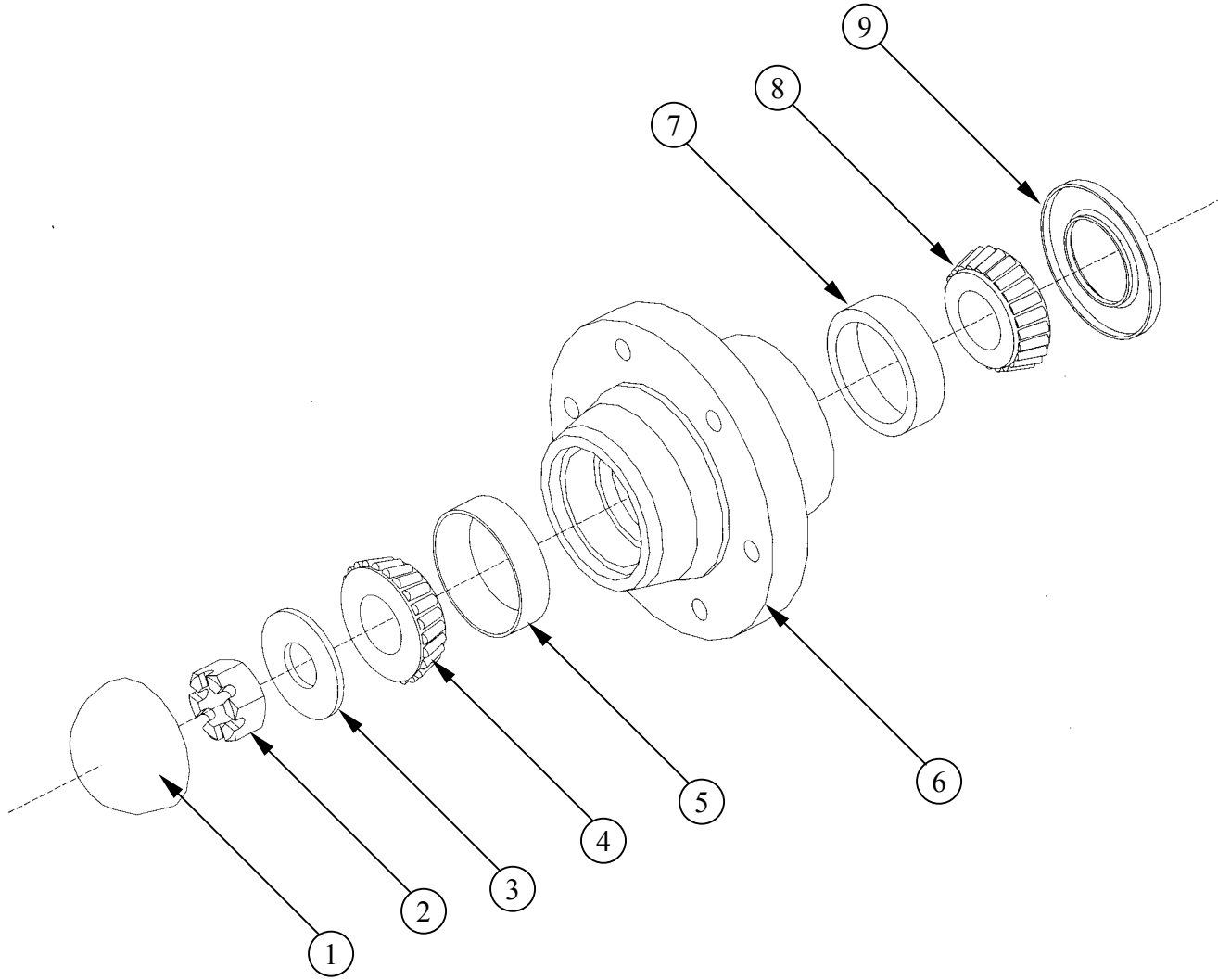
### 8' Hydraulic Cylinder



### 8' Hydraulic Cylinder

Ref. No.	Part No.	Description	No. Req.
1	XB-64798	CYLINDER 3" X 10" STROKE	1
2	XB-63620	COUNTER BALANCE VALVE	1
3	RK-65892	SEAL KIT (contains parts listed below)	1
		GLAND O-RING	1
		GLAND O-RING BACK-UP	1
		ROD SEAL	1
		WIPER SEAL	1
		PISTON SEAL	1
		PISTON / ROD O-RING	1

### 8' Hub Assembly



## 8' Hub Assembly

Ref. No.	Part No.	Description	No. Req.
1	XB-65523	DUST CAP	1
2	XB-65530	NUT, SPINDLE	1
3	XB-65537	WASHER	1
4	XB-65524	OUTER CONE	1
5	XB-65525	OUTER CUP	1
6	XB-66775	HUB	1
7	XB-65526	INNER CUP	1
8	XB-65527	INNER CONE	1
9	XB-65528	SEAL	1



AerWay/Holland reserves the right to alter specification without notice or obligation

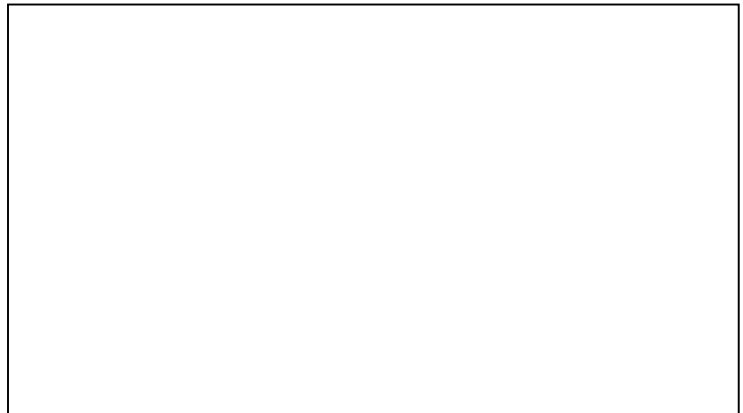


AerWay is manufactured by the Holland Group of Companies

**1 – 8 0 0 – 4 5 7 – 8 3 1 0**

[www.aerway.com](http://www.aerway.com)

[aerway@aerway.com](mailto:aerway@aerway.com)



**Holland Equipment Limited**

20 Phoebe Street, Norwich, Ontario N0J 1P0  
Tel: (519) 863-3414 Fax: (519) 863-2398

**Holland Hitch Western Limited**

17909 Roan Place, Surry, B.C. V3S 5K1  
Tel: (604) 574-7491 Fax: (604) 574-0244

**Holland Hitch of Texas**

1301 Martinez Lane, Wylie, Texas, 75098  
Tel: (972) 442-3556 Fax: (972) 442-2092