



AIR BLAST SPRAYERS

3-POINT HITCH SPRAYERS



Our compact air blast sprayers are ideal for small to medium size vineyards, orchards, berries, etc. The sprayers feature reinforced polyethylene tanks, with smooth lines that are gentle to the plants. The tanks are suspended from heavy duty tubular steel frames to isolate it from vibration and stress. The gearboxes have a neutral position, which shuts off the fan during handgun or boom work. The sprayers are easy to operate and have all the features required for easy maintenance and long life.



13477 Benson Ave. • Chino, CA 91710
Ph: 909/548-4848 • Fax: 909/548-4747

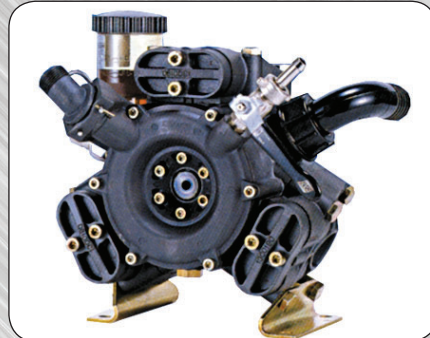
www.gearmore.com • sales@gearmore.com



AIR BLAST 3-POINT HITCH SPRAYERS

FEATURES:

- Category 1, 3-point hitch on 50 gallon, Category 1 & 2 hitch on 100 and 150 gallon
- Tanks are made of reinforced polyethylene with smooth lines that are gentle to plants
- 3 Diaphragm, 14 GPM @ 580 P.S.I. on 100 & 150 gallon, 3 diaphragm, 11 GPM @ 580 P.S.I. on 50 gallon
- One speed gearbox with neutral
- High speed fans with adjustable blades
- Pressure regulator valve with manual controls
- Hot galvanized steel fan housing for long life
- High pressure jet agitation
- Large suction filter with shut-off valve
- Stainless steel manifolds with anti-drip nozzles
- Fan shield to prevent trash pick-up in fan
- Clean water 12 gallon tank for flushing chemical residue, 6 gallon on 50 gallon sprayer
- Clean water 4 gallon tank for hand washing



3 Piston Diaphragm Pump



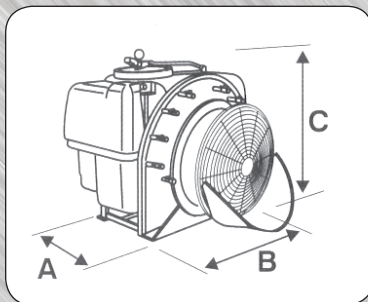
Control Valve



4 Gallon Handwash Tank

SPECIFICATIONS:

MODEL	A INCH	B INCH	C INCH	WT.
APL200	36"	39"	38"	300#
APL400	46"	48"	45"	375#
APL600	46"	48"	52"	440#



MODEL - GAL.	INCH	R.P.M.	C.F.M.	NO.	H.P.
APL200 - 50	24"	2100	19,200	8	20 - 25
APL400 - 100	28"	2100	25,000	10	30 - 40
APL600 - 150	28"	2100	25,000	10	40 - 50

Specifications Subject To Change Without Notice

13477 Benson Ave. • Chino, CA 91710 • Ph: 909/548-4848 • Fax: 909/548-4747