



HAMMER KNIFE FLAIL MOWER SHREDDER

**Operation, Service,
& Parts Manual
For Models:
GOF69, 79, 89, 98, & 108**

February 2006 Rev. 2009

TABLE OF CONTENTS

| | |
|---|---------|
| Installation | 1 |
| Safety Information | 2 |
| Lubrication | 3 |
| Pre-operation Check List | 4 |
| Mower Adjustments | 5 - 6 |
| Roller Height Control | 7 |
| Drive Belt Tension Adjustment | 8 |
| Troubleshooting | 9 |
| Safety Precautions | 9 |
| GOF Deck Assembly | 10 - 11 |
| GOF A-frame Assembly | 12 - 13 |
| GOF Rake Hatch Assembly | 14 |
| GOF Rotor Shaft Assembly | 15 - 16 |
| Quantity Matching Chart | 17 |
| GOF Roller Assembly | 18 - 19 |
| GOF Drive Assembly | 20 |
| GOF Gearbox Assembly | 21 - 22 |
| PTO Shaft (GOF69-89 Bondioli & Pavesi) | 23 |
| PTO Shaft (GOF69-89 Weasler) | 24 |
| PTO Shaft (GOF98-108 Bondioli & Pavesi) | 25 |
| PTO Shaft (GOF98-108 Weasler) | 26 |
| Limited Warranty | 27 |

Date of Purchase:_____

Model Number:_____

Serial Number:_____

INSTALLATION

BEFORE ATTACHING THE MOWER TO THE TRACTOR

1. Make sure that the mower is suitable for your tractor's horsepower.

| <u>MODELS</u> | <u>YOUR TRACTOR'S MAX. H.P.</u> |
|----------------------|--|
| All GOF Models | 85 |



CAUTION: Please note that if these limits are exceeded, it will invalidate your warranty.

2. Make sure the lower links and top link on the 3-point hitch arms of your tractor are the correct size (GOF69 & 79 - Cat. I or Cat. II, GOF89, 98, & 108 - Cat. II only), so that they correspond to the size of the hitch on the mower you have purchased.

3. *P.T.O. Installation:*

First, connect the P.T.O. shaft to the tractor. With the shaft in its shortest position, there should be about a 2" clearance between the end of the gearbox shaft and the end of the P.T.O. shaft. Should it be necessary to shorten the P.T.O. shaft, shorten both male and female shafts equally, keeping the protective tube covers 1" shorter than the steel tubes.

Particular attention should be given to carefully removing all burrs and to clean and lubricate the steel tubes and protective covers. There must be sufficient telescopic movement so that the two tubes do not touch the end of the P.T.O. shaft.

It is most important to carefully raise and lower the mower with the tractor hydraulic system, making sure that the P.T.O. shaft does not bottom or disengage the telescopic shaft tubes, otherwise damage may occur.

SAFETY INFORMATION



OPERATIONAL SAFETY:

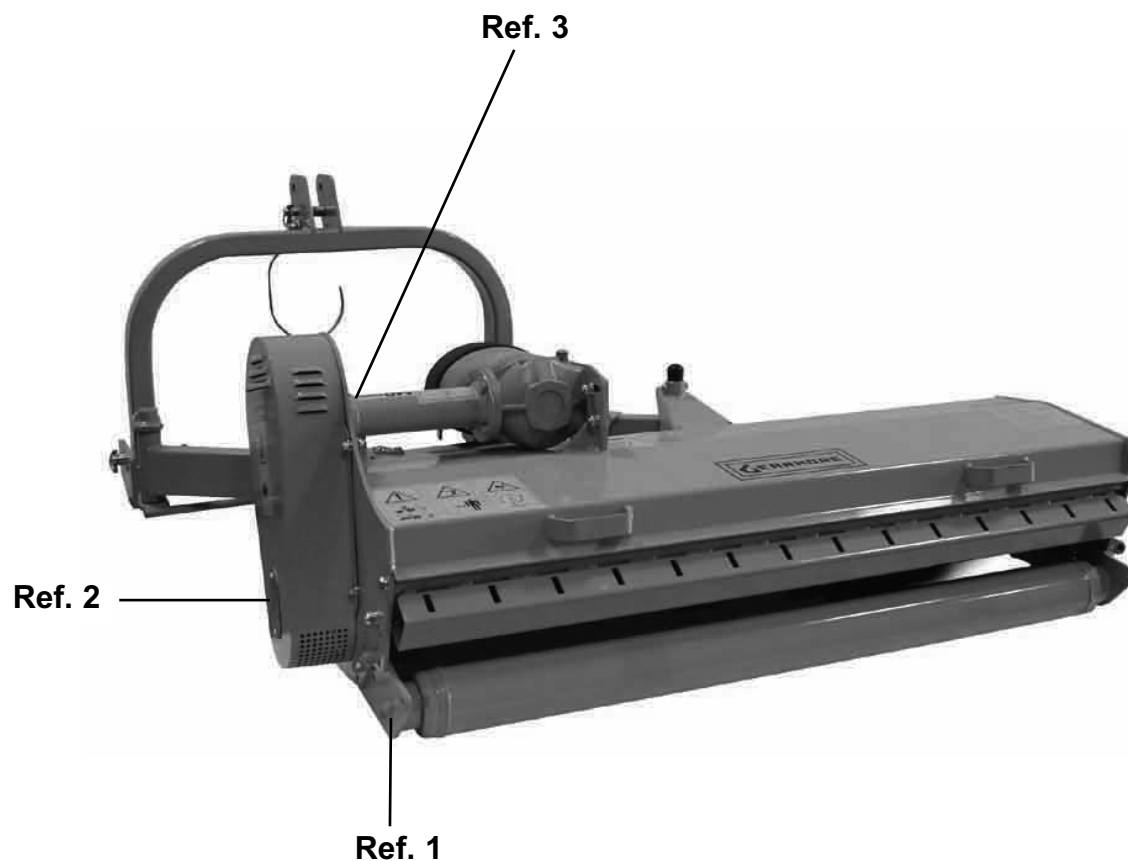
- ❑ Guards and safety shields are for your protection. **DO NOT** operate equipment unless they are in place.
- ❑ Always operate tractor PTO (power-take-off) at recommended RPM (revolutions per minute).
- ❑ Disengage tractor PTO and shift into neutral before attempting to start engine.
- ❑ Read and observe all safety decals on the tractor and mower.
- ❑ **NEVER** allow anyone within 25' of machine while it is in operation.
- ❑ **DO NOT** stop or start suddenly when going uphill or downhill. Avoid operation on steep slopes.
- ❑ Be alert for holes in terrain and other hidden hazards. Always drive slowly over rough ground.
- ❑ Reduce speed on slopes and in sharp turns to prevent tipping or loss of control. Be careful when changing direction on slopes.
- ❑ Stop mower and tractor immediately upon striking an obstruction. Turn off engine, inspect mower and repair any damage before resuming operation.
- ❑ Disengage power to mower and stop engine before dismounting from tractor, before making any repairs or adjustments, transporting or unclogging mower.
- ❑ Take all possible precautions when leaving tractor unattended: Disengage PTO, lower mower, shift into neutral, set parking brake, stop engine and remove key from ignition.
- ❑ Front tractor weights or front tire ballast should be used to enhance front end stability on small tractors.
- ❑ Check to make sure PTO is properly connected and that the driveline is correct to prevent bottoming out or pulling apart during the full lift range of the hitch.
- ❑ This implement is designed for a one-man operation. It is the responsibility of the tractor operator to see that no one is in the proximity of the implement when it is started. **DO NOT** operate the implement with another person within 25' of the implement.
- ❑ **NEVER** operate mower with hatch in the wrong working position.
- ❑ **NEVER** run mower with rotorshaft out of balance.

LUBRICATION



Grease all fittings according to the following schedule:

1. **ROLLER (Ref. 1):** Grease at both ends *after 4 hours* of operation, until grease is visible..
2. **CUTTING SHAFT (Ref. 2):** Grease at both ends lightly *after 8 hours* of operation.
4. **EXTENSION SHAFT (Ref. 3):** Grease extension shaft bearing *every 40 hours*.
3. **P.T.O. SHAFT:** The universal joints and overrunning clutch (option) need to be greased *every 8 hours*. The telescopic tubes should be greased *every 16 hours* and the shield retaining bearing should be greased *every 40 hours*.



PRE-OPERATION CHECK

- ✓ Check tightness of all bolts and nuts.
- ✓ Check gearbox oil level (Grade SAE80W-90 gear oil).
- ✓ Grease all points, on all GOF mowers.
- ✓ P.T.O. (power take-off) speed should not exceed 540 RPM (revolutions per minute).
- ✓ Check correct length of P.T.O. shaft. When fitted, there should be 3 3/4" free travel on male and female tubing (check in fully raised and fully lowered positions).
- ✓ The recommended cutting height, with the hammer or blade in its lowest position, is between 2" and 4" (*Ref. 1*). Basically, the fine height adjustment is achieved with the top link of the 3-point hitch. For a greater height adjustment, it is necessary to raise or lower the roller (*Ref. 2*).
- ✓ Drive belt should flex 3/8" (1 cm.) when pushed firmly with the finger.
- ✓ If your tractor does not have a double clutch, or has a hydraulic P.T.O., an overrunning P.T.O. shaft is required.
- ✓ Mower should be completely cleaned after use and before storage.

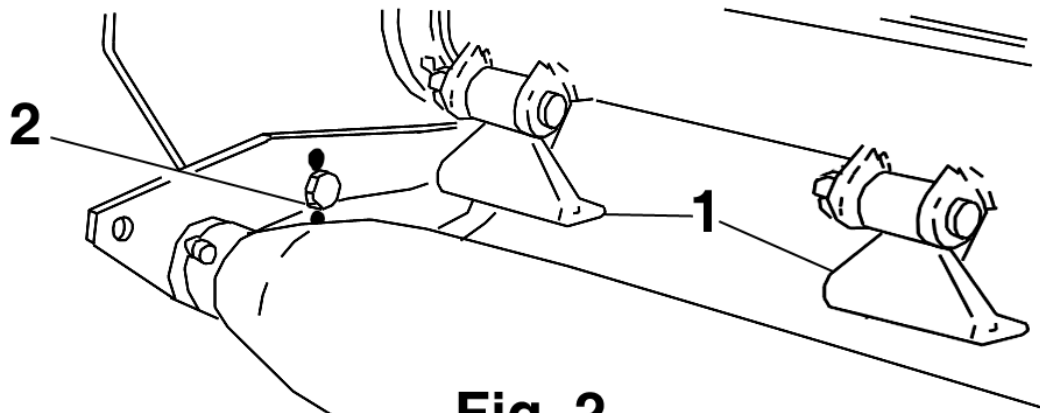


Fig. 2

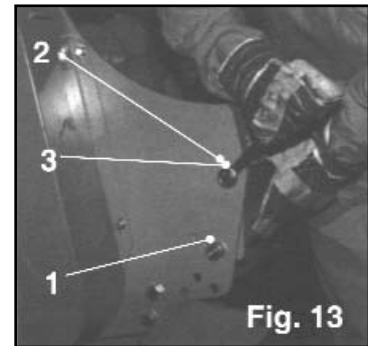
MOWER ADJUSTMENTS

FOR VARIOUS TYPES OF MOWING

There is an adjustable rear hatch (*Fig. 3*) that can be set in one of seven positions to control the amount of power needed to do the work.

FOR BEST MOWING OPERATION, OPEN REAR HATCH FULLY TO ALLOW MATERIAL TO EXIT

1. Adjustment of the rear hatch can be made by removing the two bolts at the side (*Fig. 13, ref. 1*). Loosen the nut (*Fig. 13, ref. 2*) until the hatch can be pivoted around bolt (*Fig. 13, ref. 3*). To fix the hatch in the desired position, align the hole in the side of the casing of the machine with the appropriate hole in the hatch. Insert the bolt and tighten the self-locking nut (*Fig. 13, ref. 1*). Tighten the pivot bolt (*Fig. 13, ref. 3*) with the self-locking nut (*Fig. 13, ref. 2*).



2. The rear hatch should be in a completely closed position (*Fig. 4*) when used for mulching of prunings, or pulverizing debris.
3. The hatch is used in position (*Fig. 5*) to allow the grass clippings to escape above the roller.
4. The hatch should be in a completely open position when the mower is used for grass, cover crop, weed abatement, vegetables, corn stalk and cotton cutting operations (*Fig. 6*). An open hatch enables the clippings to be discharged quickly, thus allowing a faster mowing speed and lower H.P. requirements.



DANGER: When the hatch is in the fully open position, objects may be thrown out of the machine. Make sure that **NO ONE** is in the operation area.

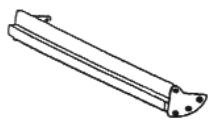


Fig. 3

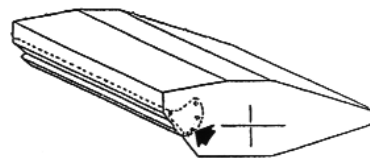


Fig. 4

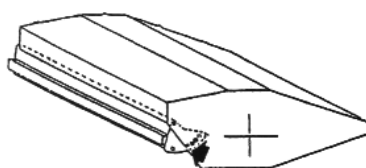


Fig. 5

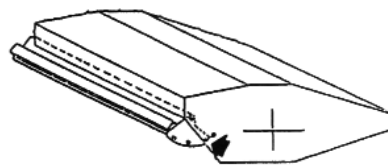
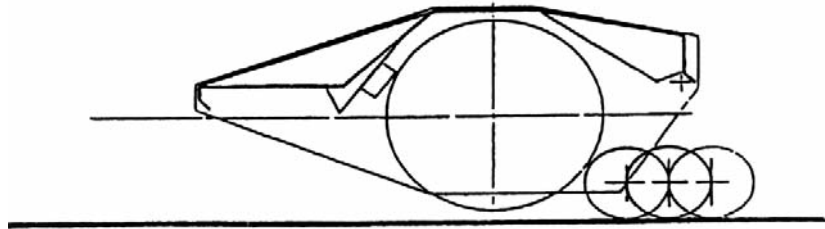


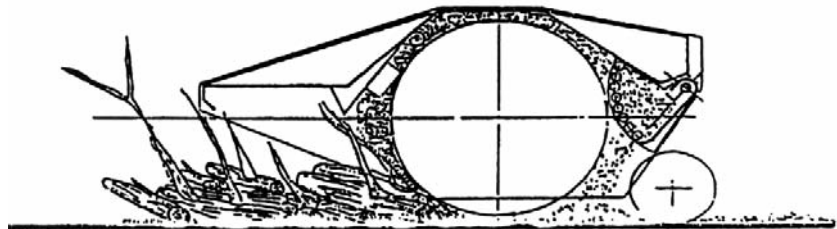
Fig. 6

MOWER ADJUSTMENTS

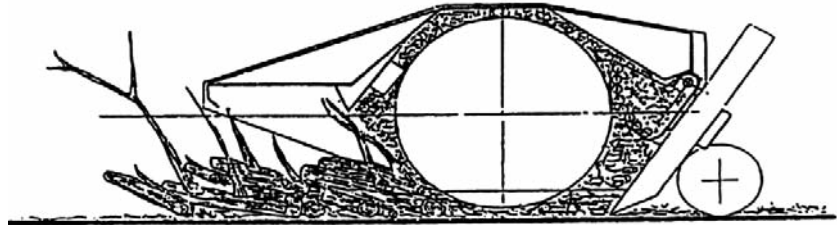
1. Various roller adjustments
3 positions



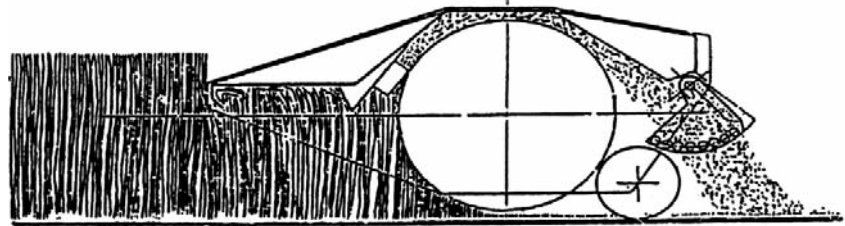
2. Used for mulching
of prunings



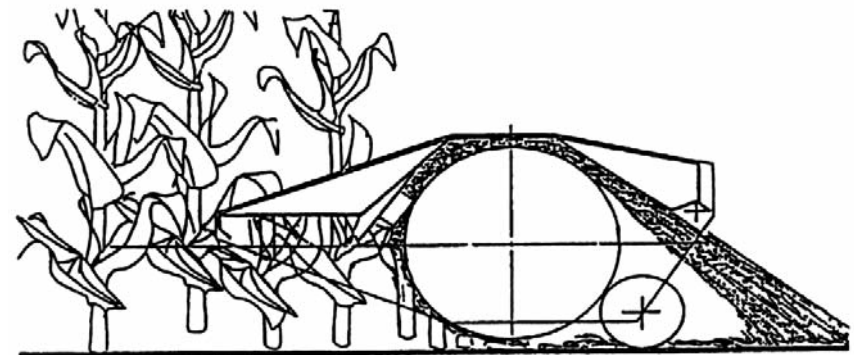
3. Used with rakes
to mulch prunings



4. Used for cutting
grass



5. Used to mulch
cornstalk



ROLLER HEIGHT CONTROL

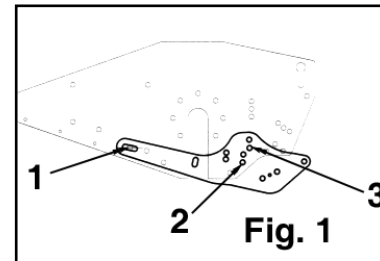
The roller can be adjusted for 2 or 3 cutting heights. By raising the roller, you get a shorter cut, by lowering it, a longer cut is achieved. You can also fine adjust the cutting height with the top link arm. By shortening the link arm, your cut is further from the ground.

A suggested cutting height is having the hammer tips about 2" from the ground.

You can control the power needed and the amount of wear on the hammers by this adjustment.

ADJUSTING REAR ROLLER:

To adjust roller, loosen (*Fig. 1, ref. 1*). Completely remove (*Fig. 1, ref. 2 & 3*). Align the appropriate hole in the support bracket with the hole in the deck to achieve roller position desired.



1. There is also an adjustment that can be made on the roller to control mulch size and power needed. By moving the roller toward the cutting shaft (*Fig. 7*), a finer mulch is produced, requiring less H.P. In this case, we suggest opening the hatch to cut grass, vegetables, cornstalk, cotton, etc.
2. By moving the roller away from the cutting shaft (*Fig. 7*), a coarser mulch is produced, requiring more H.P. In this case, we suggest closing the hatch to mulch prunings.
3. The third position, or furthest from the cutting shaft, is used only to allow room for rakes on the mower, if needed. Rakes are used when the prunings are laying close to the ground and have to be drawn out.
4. For more precise work and performance, we recommend spending 5 minutes adjusting your mower for the job, this can be done according to the previous recommendations.
5. The roller scraper can be removed when cutting grass, because close positioning of the roller to the cutting shaft permits the hammers to act as a roller cleaning device.

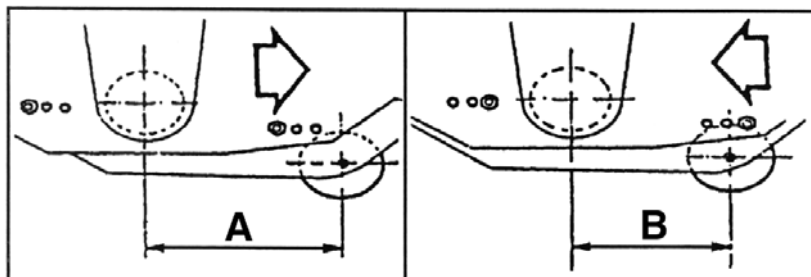


Fig. 7

DRIVE BELT TENSION ADJUSTMENT

1. Check belt tension before each use (*Fig. 8*). The tension is correct when you can depress one belt 1 cm ($3/8$ ") between the two pulleys. It is possible for you to insert a tool through the belt cover (*Fig. 9*), with mower stopped, to check the tension.
2. To adjust the belt tension, loosen bolts 1, 2, 3 & 4 and locknut 6 (*Fig. 9*). To adjust tension, move bolt 5. Do not forget to tighten all bolts after correct belt tension is achieved. If a belt requires replacement, replace all other belts as well.

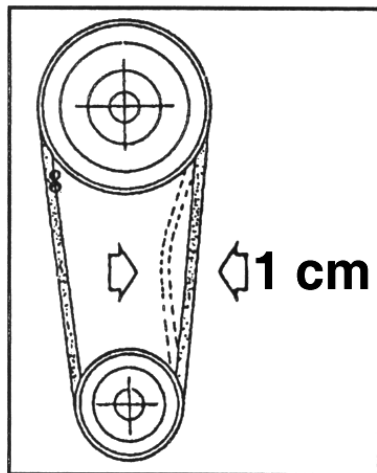


Fig. 8

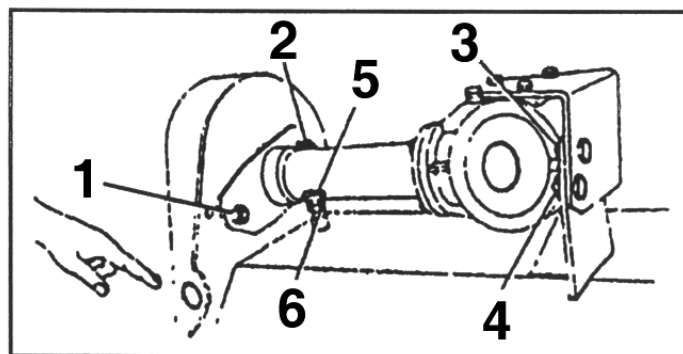


Fig. 9

TROUBLESHOOTING

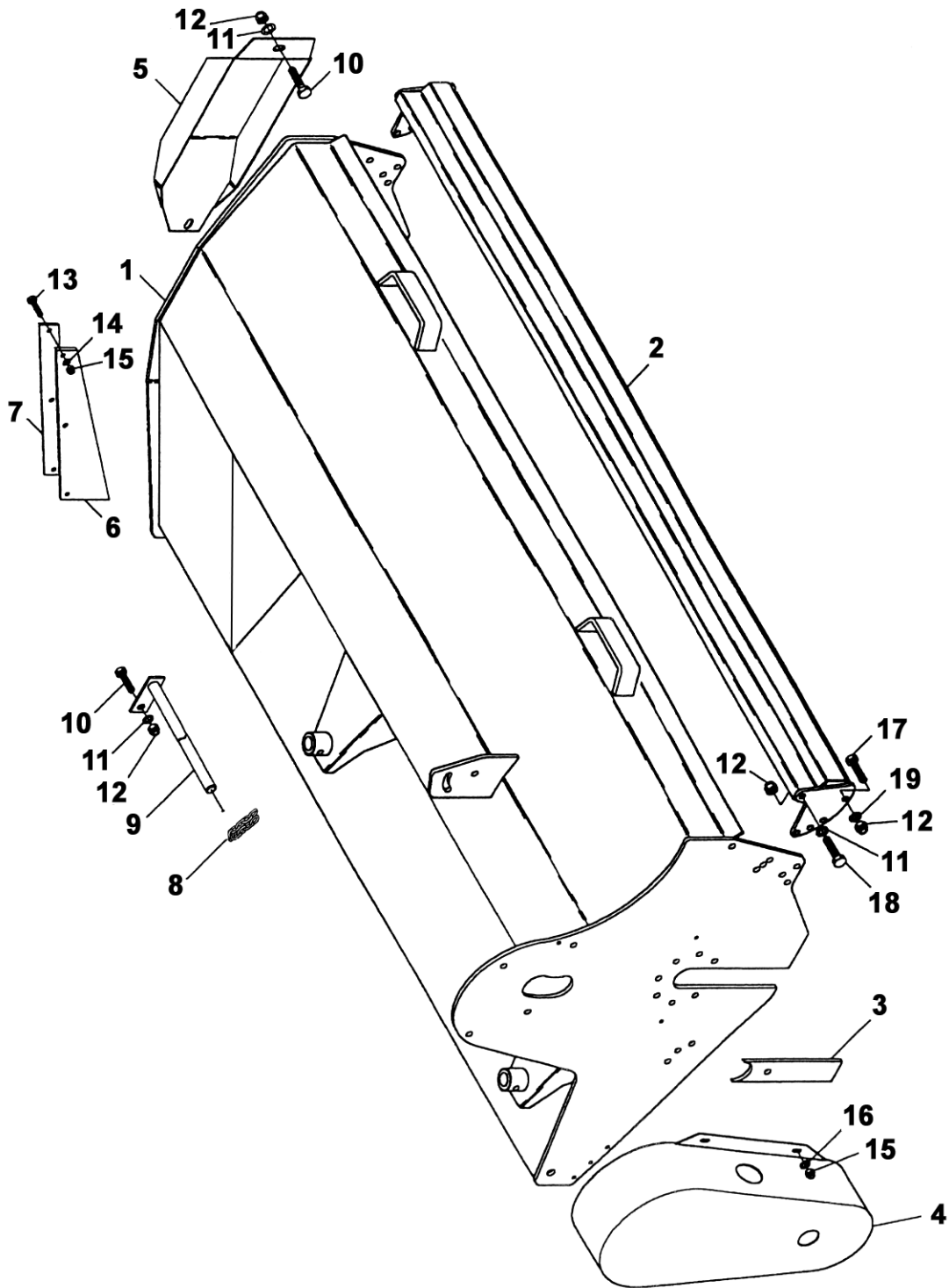
1. Cutting shaft does not rotate properly:
 - a. Tighten drive belts to correct tension (*see page 8*).
 - b. Replace belts if they no longer can be adjusted properly.
2. Mower vibrates:
 - a. Check for loose or missing hammers or bolts.
 - b. Check for hammers that are unevenly worn. If one or more hammers is badly worn, replace all the hammers the first time. Keep the hammers that are in good shape for future replacement in worn series of hammers. For example: when replacing a worn hammer, replace it with a hammer of similar shape and weight. This will insure a balanced and vibration free cutting.
3. If the cutting shaft becomes jammed, reverse the rotation of the shaft to loosen and release the obstruction.
4. If the hammer mounting ears break off, they must be welded back in their exact position, otherwise the cutting shaft will be unbalanced.
5. If you have any questions or problems, it is always best to contact your dealer immediately.
6. When ordering spare parts, you must contact your authorized Gearmore dealer for original replacement parts. When doing so, please include the following information:
 - a. Model Number
 - b. Serial Number

SAFETY PRECAUTIONS

1. All adjustments, inspections and repairs must be made with tractor and mower completely stopped.
 - a. When the mower is in operation, make sure that there is no one near the flying debris from the mower, to prevent the possibility of serious injuries.
 - b. **ALWAYS** keep hands and feet away from a mower that is in operation.
 - c. Check that all guards and safety features are in place and in good operating condition.
2. While mowing, take the necessary precautions to insure operator's and others safety.
3. **DO NOT** make height adjustment using only the top link. This will cause flying debris to come out the front of the mower and toward the operator. Use the roller adjustment.

We thank you again for your choice of mowers and we remind you that the safety points outlined in this manual will help you do your work in a safe and efficient manner.

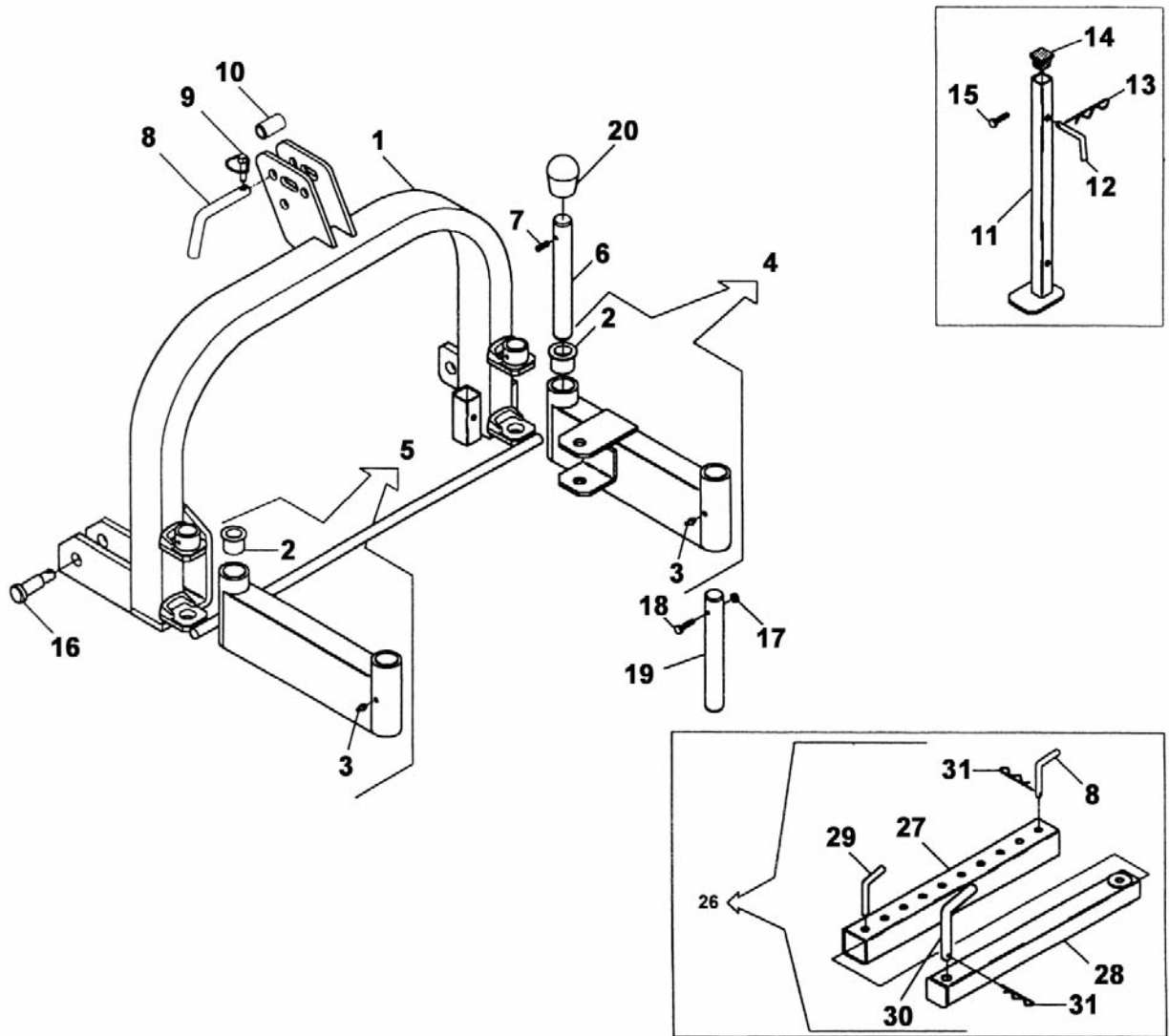
GOF DECK ASSEMBLY



GOF DECK ASSEMBLY

| <u>REF#</u> | <u>QTY.</u> | <u>PART NO.</u> | <u>DESCRIPTION</u> |
|-------------|-------------|-----------------|-------------------------------|
| 1 | 1 | 13001056 | Deck Frame GOF69 |
| 1 | 1 | 13001057 | Deck Frame GOF79 |
| 1 | 1 | 13001058 | Deck Frame GOF89 |
| 1 | 1 | 13001059 | Deck Frame GOF98 |
| 1 | 1 | 13001060 | Deck Frame GOF108 |
| 2 | 1 | 13008019 | Grass Hatch GOF69 (Optional) |
| 2 | 1 | 13008020 | Grass Hatch GOF79 (Optional) |
| 2 | 1 | 13008021 | Grass Hatch GOF89 (Optional) |
| 2 | 1 | 13008022 | Grass Hatch GOF98 (Optional) |
| 2 | 1 | 13008023 | Grass Hatch GOF108 (Optional) |
| 3 | 1 | 13001011 | Cover Plate |
| 4 | 1 | 13010001 | Belt Cover |
| 5 | 1 | 13010002 | Side Cover |
| 6 | 1 | 13010033 | Rubber Shield |
| 7 | 1 | 13010034 | Support Plate |
| 8 | See Pg. 17 | 14310004 | Deflector Chain |
| 9 | 1 | 13010008 | Pin f/Guard GOF69 |
| 9 | 1 | 13010012 | Pin f/Guard GOF79 - 108 |
| 10 | 7 | 96612221 | Bolt M14 x 30 |
| 11 | 5 | 97095511 | Washer 15 x 28 |
| 12 | 7 | 97972321 | Lock Nut M14 |
| 13 | 3 | 96605921 | Bolt M8 x 40 |
| 14 | 3 | 97494831 | Lock Washer |
| 15 | 7 | 97971721 | Lock Nut |
| 16 | 4 | 97094911 | Washer |
| 17 | 2 | 96695723 | Allen Bolt M14 x 40 |
| 18 | 2 | 96612421 | Bolt M14 x 40 |
| 19 | 2 | 97495131 | Lock Washer |

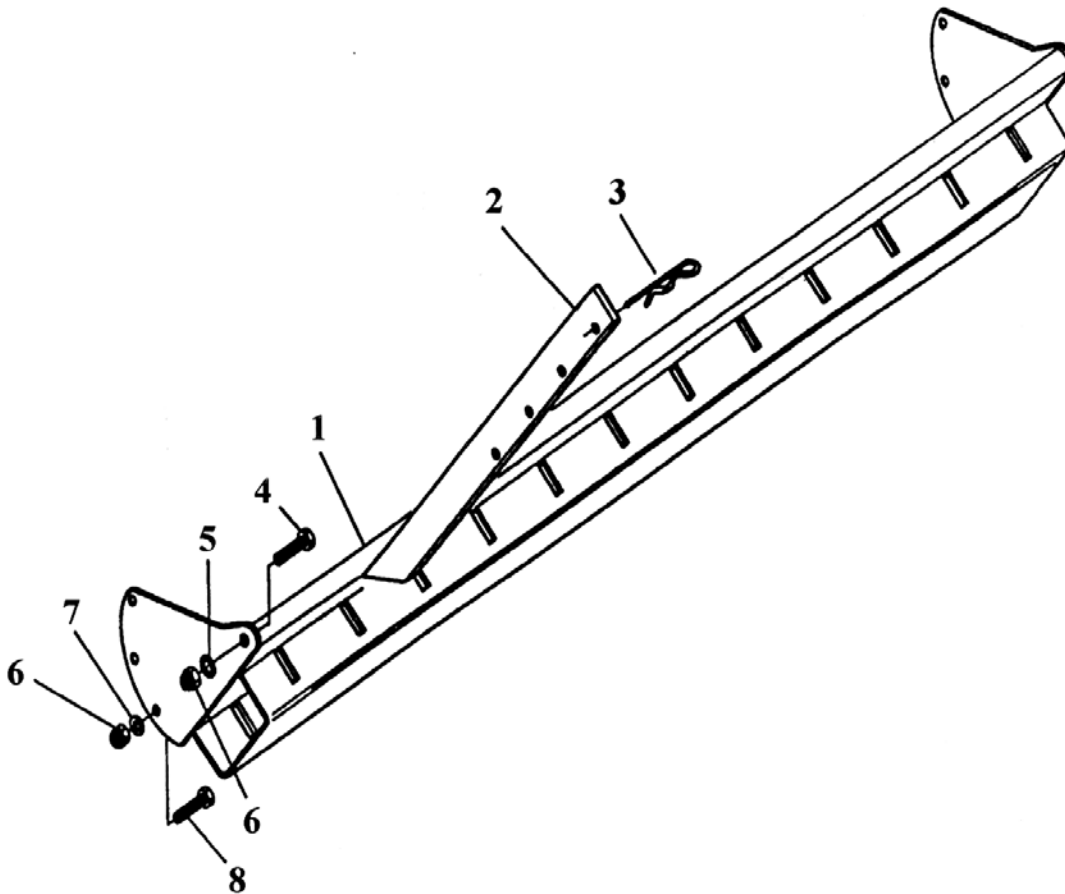
GOF A-FRAME ASSEMBLY



GOF A-FRAME ASSEMBLY

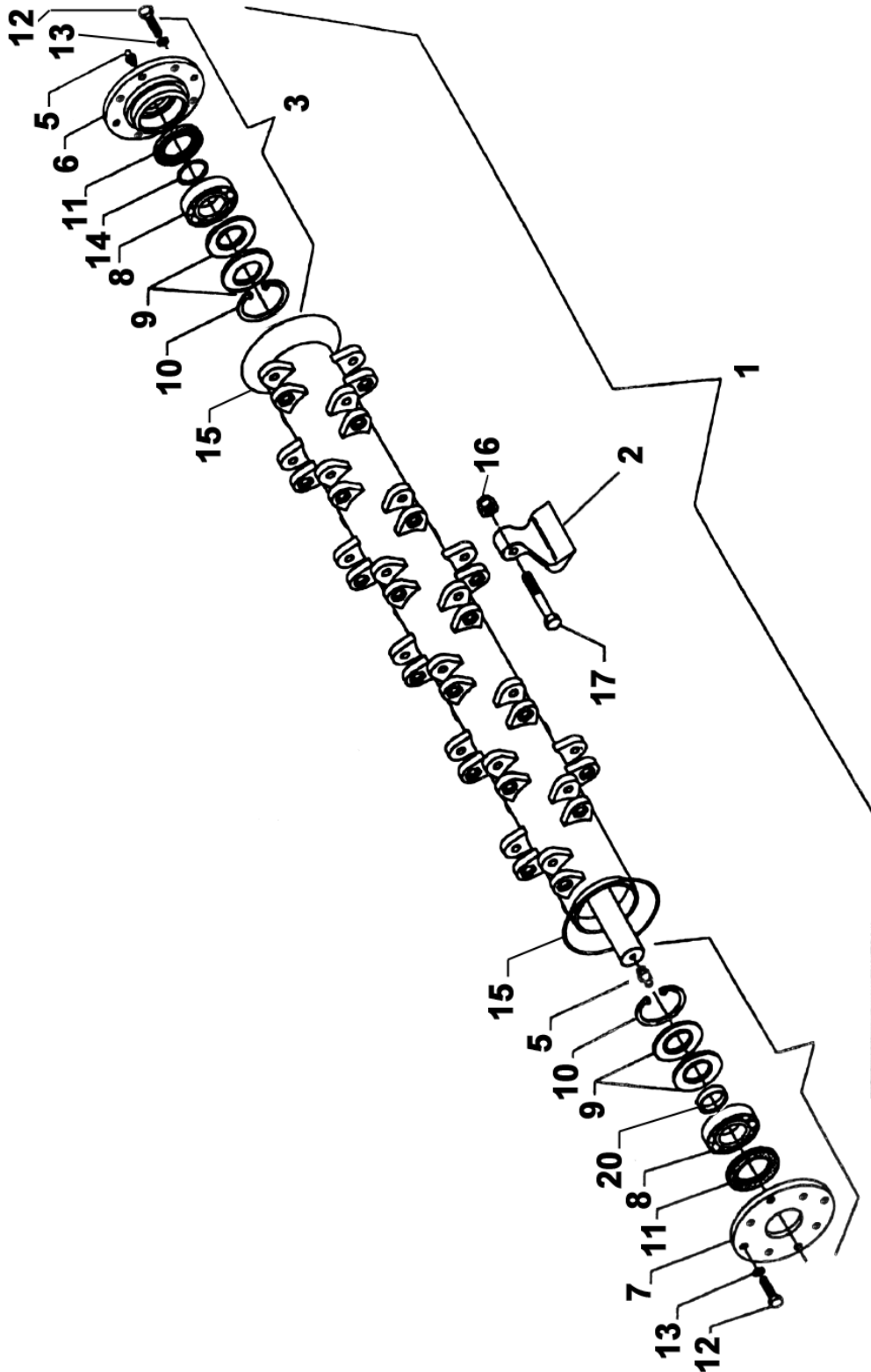
| <u>REF#</u> | <u>QTY.</u> | <u>PART NO.</u> | <u>DESCRIPTION</u> |
|-------------|-------------|-----------------|---------------------------------------|
| 1 | 1 | 13004023 | Adjustable A-Frame GOF69 & 79 |
| 1 | 1 | 13004013 | Adjustable A-Frame GOF89 & 98 |
| 1 | 1 | 13004014 | Adjustable A-Frame GOF108 |
| 2 | 4 | 13004037 | Plastic Bushing |
| 3 | 2 | 97036611 | Grease Zerk |
| 4 | 1 | 13004082 | Arm, A-Frame |
| 5 | 1 | 13004048 | Arm, A-Frame |
| 6 | 2 | 13004033 | Short Pin GOF69 - 98 |
| 6 | 2 | 13004034 | Short Pin GOF108 |
| 7 | 2 | 97259770 | Roll Pin |
| 8 | 2 | 16004019 | Short Pin GOF69 & 79 |
| 8 | 2 | 19404015 | Short Pin GOF89 - 108 |
| 9 | 1 | 16004015 | Lynch Pin |
| 10 | 1 | 13004060 | Bushing |
| 11 | 1 | 13011009 | Stand GOF69 & 79 |
| 11 | 1 | 14311003 | Stand GOF89, 98, & 108 |
| 12 | 1 | 13011020 | Pin GOF69 & 79 |
| 12 | 1 | 14311010 | Pin GOF89, 98, & 108 |
| 13 | 1 | 91047711 | Hair Pin |
| 14 | 1 | 13011019 | Plastic Plug GOF69 & 79 |
| 14 | 1 | 14311001 | Plastic Plug GOF89, 98, & 108 |
| 15 | 1 | 97486611 | Bolt M6.3 x 19 |
| 16 | 2 | 19704013 | Lift Pin GOF89 - 108 Cat. II |
| 16 | 2 | 13004010 | Lift Pin GOF69 - 79 Cat. II to Cat. I |
| 17 | 2 | 97971821 | Lock Nut M10 |
| 18 | 2 | 96608321 | Bolt M10 x 60 |
| 19 | 2 | 13004035 | Pin D30 x 270 GOF69 - 98 |
| 19 | 2 | 13004036 | Pin D30 x 465 GOF108 |
| 20 | 2 | 13010028 | Knob |
| 26 | 1 | 13004061 | Adjustable Link |
| 27 | 1 | 13004011 | External Tube |
| 28 | 1 | 12004005 | Internal Tube |
| 29 | 1 | 12004004 | Pin |
| 30 | 1 | 13004062 | Pin |
| 31 | 2 | 91009060 | Hair Pin |

GOF RAKE HATCH ASSEMBLY



| <u>REF#</u> | <u>QTY.</u> | <u>PART NO.</u> | <u>DESCRIPTION</u> |
|-------------|-------------|-----------------|------------------------|
| 1 | 1 | 13008027 | Rake Hatch GOF69 |
| 1 | 1 | 13008028 | Rake Hatch GOF79 |
| 1 | 1 | 13008029 | Rake Hatch GOF89 |
| 1 | 1 | 13008030 | Rake Hatch GOF98 |
| 1 | 1 | 13008031 | Rake Hatch GOF108 |
| 2 | As Req'd | 13008050 | Rake 1/2 x 1 9/16 x 20 |
| 3 | As Req'd | 91009060 | Hair Pin |
| 4 | 2 | 96695723 | Bolt M14 x 40 |
| 5 | 2 | 97095511 | Washer 15 x 28 |
| 6 | 4 | 97972321 | Lock Nut M14 |
| 7 | 2 | 97495131 | Lock Washer |
| 8 | 2 | 96612421 | Bolt M14 x 40 |

GOF ROTOR SHAFT ASSEMBLY



GOF ROTOR SHAFT ASSEMBLY

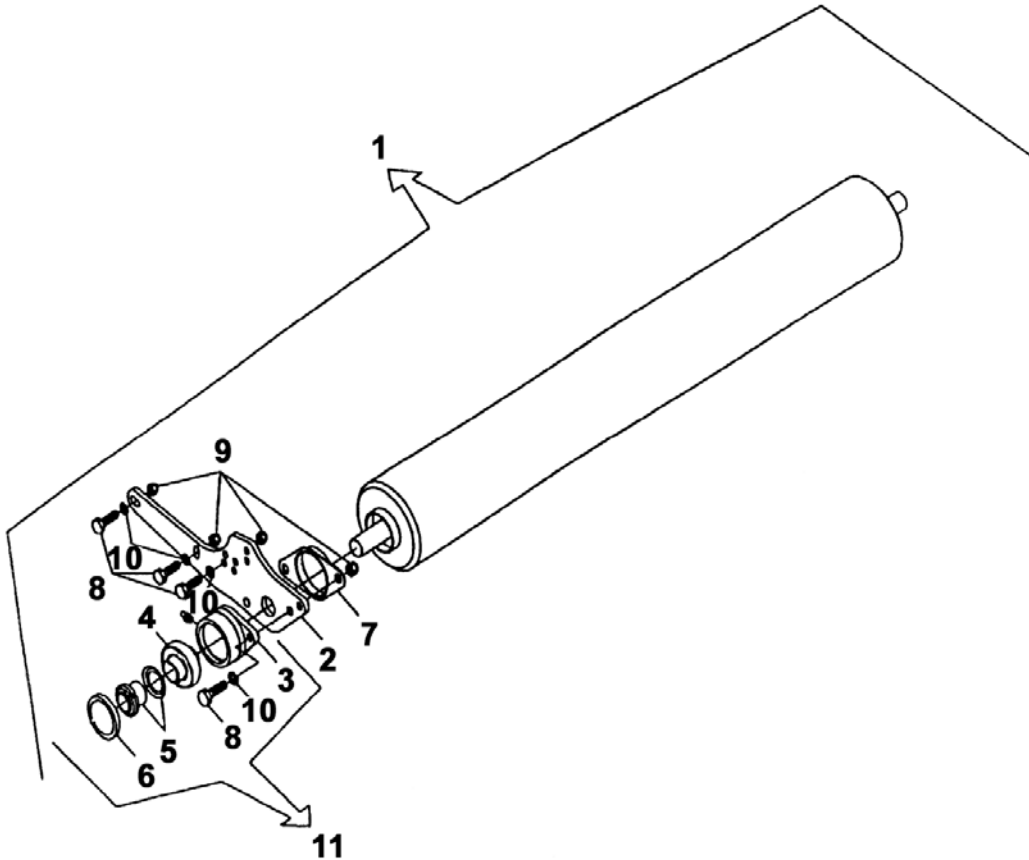
| <u>REF#</u> | <u>QTY.</u> | <u>PART NO.</u> | <u>DESCRIPTION</u> |
|-------------|-------------|-----------------|---|
| 1 | 1 | 13002028 | Rotor Assembly GOF69 |
| 1 | 1 | 13002029 | Rotor Assembly GOF79 |
| 1 | 1 | 13002059 | Rotor Assembly GOF89 |
| 1 | 1 | 13002060 | Rotor Assembly GOF98 |
| 1 | 1 | 13002061 | Rotor Assembly GOF108 |
| 2 | See Pg. 17 | 48020002 | Flail Knife GOF69 & 79 |
| 2 | See Pg. 17 | 48020001 | Flail Knife GOF89, 98, & 108 |
| 3 | 1 | 13002034 | R.H. Support Hub Assy. GOF69 & 79 |
| 3 | 1 | 13002065 | R.H. Support Hub Assy. GOF89, 98, & 108 |
| 4 | 1 | 13002035 | L.H. Support Hub Assy. GOF69 & 79 |
| 4 | 1 | 13002066 | L.H. Support Hub Assy. GOF89, 98, & 108 |
| 5 | 2 | 97036711 | Grease Zerk |
| 6 | 1 | 13002013 | R.H. Support Hub GOF69 & 79 |
| 6 | 1 | 13002012 | R.H. Support Hub GOF89, 98, & 108 |
| 7 | 1 | 13002014 | L.H. Support Hub GOF69 & 79 |
| 7 | 1 | 13002048 | L.H. Support Hub GOF89, 98, & 108 |
| 8 | 2 | 22209 | Bearing GOF69 & 79 |
| 8 | 2 | 22210 | Bearing GOF89, 98, & 108 |
| 9 | 2 | 13002037 | 2-pc. Metal Seal GOF69 & 79 |
| 9 | 2 | 13002038 | 2-pc. Metal Seal GOF89, 98, & 108 |
| 10 | 2 | 96874976 | Snap Ring 85 x3 GOF69 & 79 |
| 10 | 2 | 96875176 | Snap Ring 90 x 3 GOF89, 98, & 108 |
| 11 | 2 | 45x80x10 | Oil Seal GOF69 & 79 |
| 11 | 2 | 50x90x10 | Oil Seal GOF89, 98, & 108 |
| 12 | 16 | 96612221 | Bolt M14 x3 0 |
| 13 | 16 | 97495131 | Lock Washer |
| 14 | 1 | 96867676 | Circlip 45 x 1.7 GOF69 & 79 |
| 14 | 1 | 96867876 | Circlip 50 x 2 GOF89, 98, & 108 |
| 15 | 2 | 13002102 | Protection Shield GOF69 & 79 |
| 15 | 2 | 13002103 | Protection Shield GOF89, 98, & 108 |
| 16 | See Pg. 17 | 13002076 | Special Lock Nut |
| 17 | See Pg. 17 | 13002075 | Special Bolt M16 x 1.2 x 90 |
| 18 | See Pg. 17 | 15002039 | Hex Flail Knife Ear |
| 19 | See Pg. 17 | 15002038 | Flail Knife Ear |
| 20 | 1 | 98045816 | Spacer 45 x 55 x 2.5 GOF69 & 79 |
| 20 | 1 | 98045116 | Spacer 50 x 62 x 2.5 GOF89, 98, & 108 |

QUANTITY MATCHING CHART

| PART NO. | DESCRIPTION | MODELS | | | | |
|----------|-------------------|--------|-------|-------|-------|--------|
| | | GOF69 | GOF79 | GOF89 | GOF98 | GOF108 |
| 14310004 | Deflector Chain | 61 | 65 | 69 | 73 | 77 |
| 48020002 | Flail Knife Assy. | 18 | 21 | | | |
| 48020001 | Flail Knife Assy. | | | 21 | 24 | 27 |
| 13002075 | Bolt, Knife | 18 | 21 | 21 | 24 | 27 |
| 13002076 | Lock Nut, Knife | 18 | 21 | 21 | 24 | 27 |
| 15002039 | Hex Knife Ear | 18 | 21 | 21 | 24 | 27 |
| 15002038 | Knife Ear | 18 | 21 | 21 | 24 | 27 |

GOF ROLLER ASSEMBLY

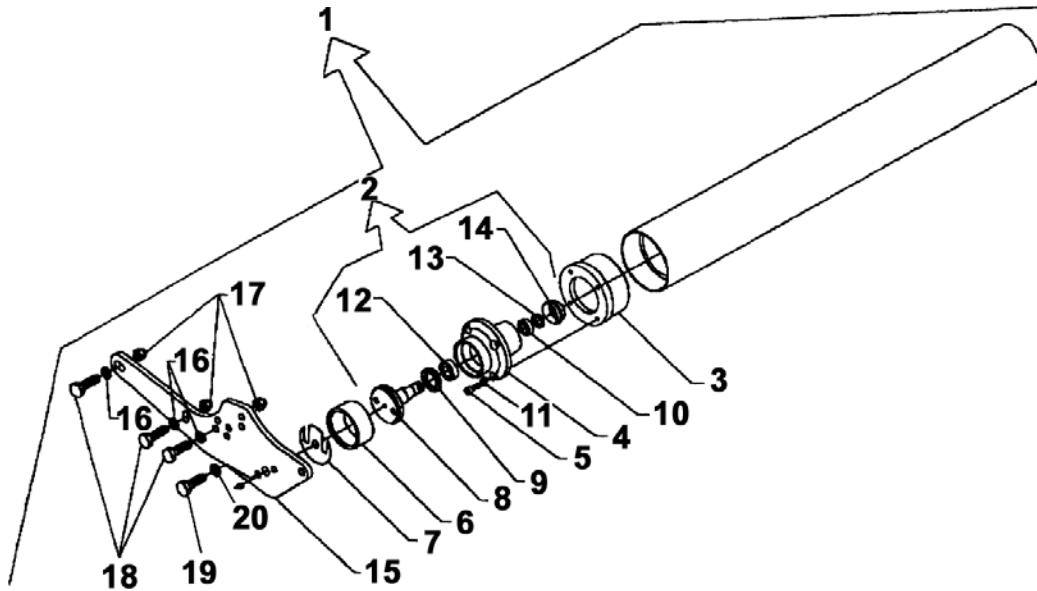
Prior to S/N 701300027



| <u>REF#</u> | <u>QTY.</u> | <u>PART NO.</u> | <u>DESCRIPTION</u> |
|-------------|-------------|-----------------|------------------------------|
| 1 | 1 | 13005118 | Complete Roller Assy. GOF69 |
| 1 | 1 | 13005119 | Complete Roller Assy. GOF79 |
| 1 | 1 | 13005075 | Complete Roller Assy. GOF89 |
| 1 | 1 | 13005076 | Complete Roller Assy. GOF98 |
| 1 | 1 | 13005077 | Complete Roller Assy. GOF108 |
| 2 | 2 | 13005071 | Roller Support |
| 3 | 2 | 14305028 | Bearing Hub Support |
| 4 | 2 | UK209 | Bearing |
| 5 | 2 | 14305043 | Nut H309 |
| 6 | 2 | 14310013 | Bearing Cover |
| 7 | 2 | 14305024 | Flange |
| 8 | 8 | 96602921 | Bolt M18 x 55 |
| 9 | 8 | 97972921 | Lock Nut M18 |
| 10 | 8 | 97095911 | Washer |
| 11 | 2 | 14305040 | Roller Support Complete |

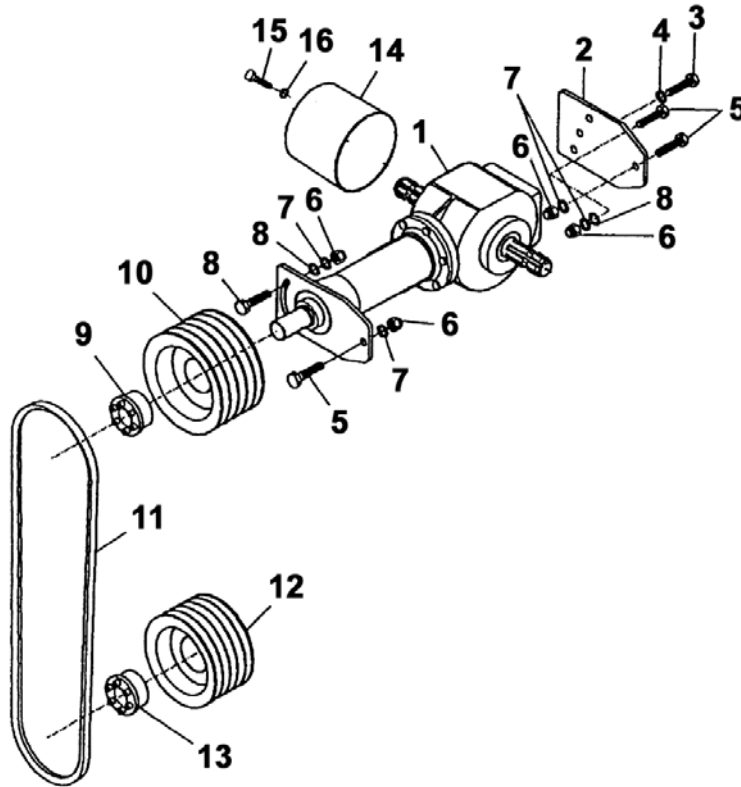
GOF ROLLER ASSEMBLY

After S/N 701300027



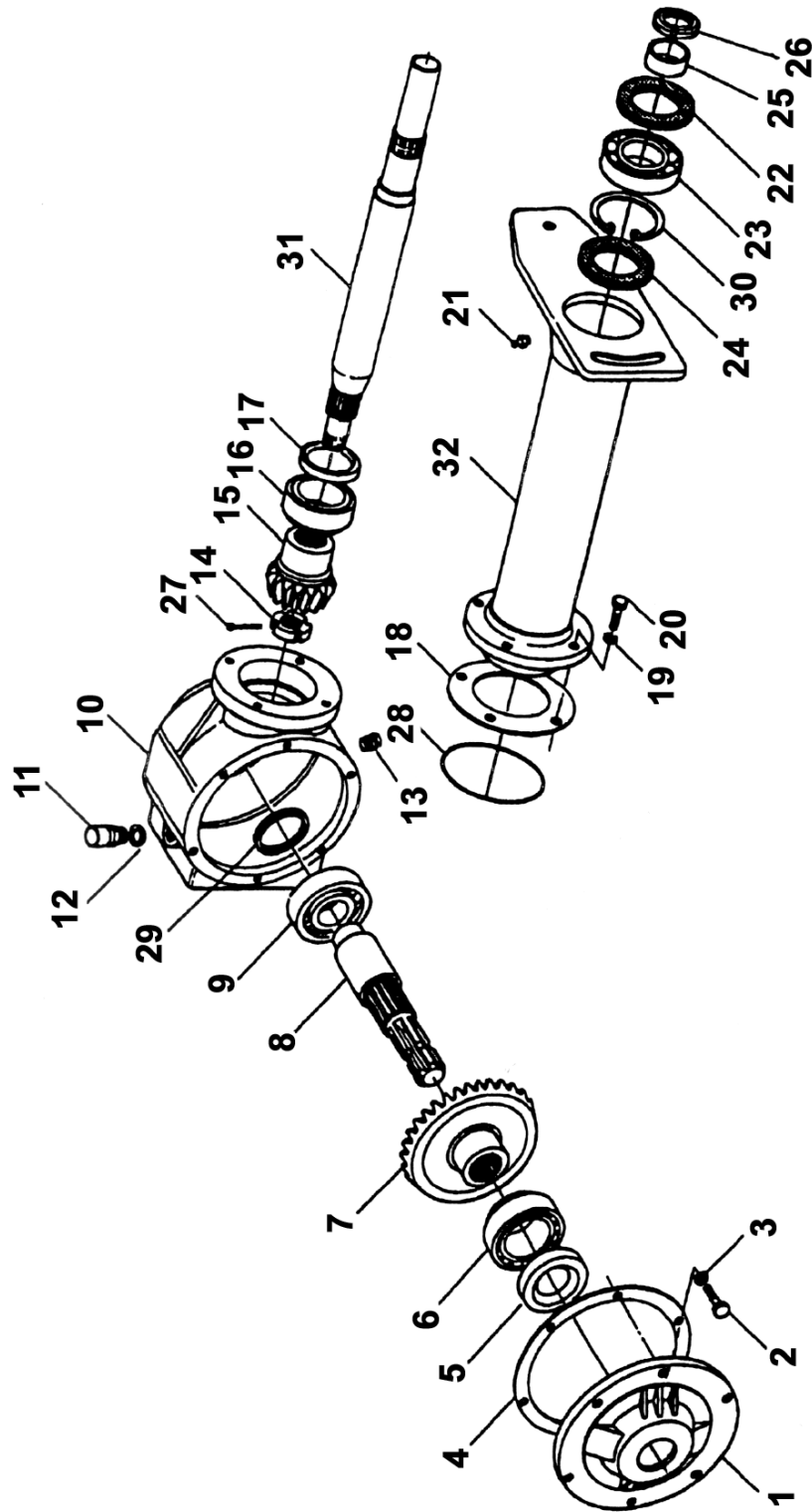
| <u>REF#</u> | <u>QTY.</u> | <u>PART NO.</u> | <u>DESCRIPTION</u> |
|-------------|-------------|-----------------|---|
| 1 | 1 | 13005204 | Complete Roller Assy. GOF69 |
| 1 | 1 | 13005205 | Complete Roller Assy. GOF79 |
| 1 | 1 | 13005206 | Complete Roller Assy. GOF89 |
| 1 | 1 | 13005207 | Complete Roller Assy. GOF98 |
| 1 | 1 | 13005208 | Complete Roller Assy. GOF108 |
| 2 | 2 | 13005000 | Hub Assembly |
| 3 | 2 | 13005163 | Bearing Hub Support Weld-on GOF69 & 79 |
| 3 | 2 | 13005164 | Bearing Hub Support Weld-on GOF89 - 108 |
| 4 | 2 | 13005160 | Hub |
| 5 | 8 | 96692223 | Bolt M10 x 30 |
| 6 | 2 | 13005165 | Spacer |
| 7 | As Req'd | 11005069 | Shim 0.5mm |
| 7 | As Req'd | 11005068 | Shim 1.0mm |
| 8 | 2 | 13005143 | Axle |
| 9 | 2 | 58x72x8 | Oil Seal |
| 10 | 2 | 30205 | Bearing |
| 11 | 8 | 97494934 | Washer D.10 |
| 12 | 2 | 32207 | Bearing |
| 13 | 2 | 13005088 | Nut M25 x 1.5 |
| 14 | 2 | 13005162 | Dust Cap |
| 15 | 2 | 13005001 | Roller Support |
| 16 | 8 | 97495031 | Washer |
| 17 | 8 | 97972321 | Lock Nut M14 |
| 18 | 8 | 96612421 | Bolt M14 x 40 |
| 19 | 4 | 96612221 | Bolt M14 x 30 |
| 20 | 4 | 97495131 | Washer M15 |

GOF DRIVE ASSEMBLY



| <u>REF#</u> | <u>QTY.</u> | <u>PART NO.</u> | <u>DESCRIPTION</u> |
|-------------|-------------|-----------------|---------------------------------|
| 1 | | | Advise Model & Serial Number |
| 2 | 1 | 13003003 | Support Plate |
| 3 | 4 | 96609921 | Bolt M12 x 30 |
| 4 | 1 | 97495031 | Lock Washer |
| 5 | 4 | 97051921 | Bolt M14 x 1.5 x 40 |
| 6 | 4 | 97973221 | Nut M14 x 1.5 |
| 7 | 4 | 97495131 | Lock Washer |
| 8 | 1 | 97095511 | Washer 15 x 28 |
| 9 | 1 | 13003005 | Taper Lock 35 x 80 |
| 10 | 1 | 13003013 | Pulley 4SPB225 GOF69 & 79 |
| 10 | 1 | 13003015 | Pulley 5SPB250 GOF89, 98, & 108 |
| 11 | 4 | 13003077 | Belt SPBX1285 GOF69 & 79 |
| 11 | 5 | 13003078 | Belt SPBX1360 GOF89, 98, & 108 |
| 12 | 1 | 13003012 | Pulley 4SPB160 GOF69 & 79 |
| 12 | 1 | 13003017 | Pulley 5SPB180 GOF89, 98, & 108 |
| 13 | 1 | 13003006 | Taper Lock 45 x 80 |
| 14 | 2 | 13010026 | PTO Safety Cone |
| 15 | 8 | 96605321 | Bolt M8 x 12 |
| 16 | 8 | 97094911 | Washer |

GOF GEARBOX ASSEMBLY

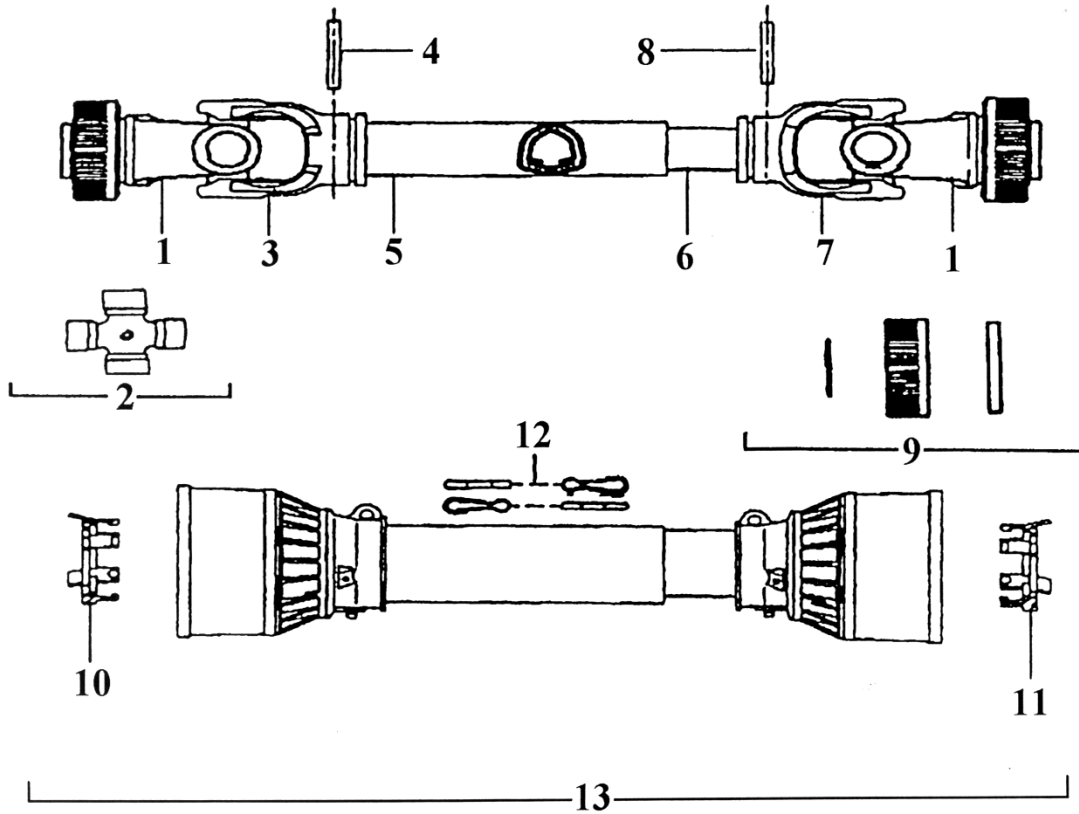


GOF GEARBOX ASSEMBLY

| <u>REF#</u> | <u>QTY.</u> | <u>PART NO.</u> | <u>DESCRIPTION</u> |
|-------------|-------------|-----------------|----------------------------------|
| 1 | 1 | 48030192 | Front Cover |
| 2 | 6 | 96605627 | Bolt M8 x 25 |
| 3 | 6 | 97494834 | Lock Washer |
| 4 | 1 | 48030037 | Gasket |
| 5 | 2 | 40x72x10 | Oil Seal |
| 6 | 1 | 32011 | Bearing |
| 7 | 1 | 48030031 | Bevel Gear Z=30 GOF69-98 540 RPM |
| 7 | 1 | 48030027 | Bevel Gear Z=21 GOF108 1000 RPM |
| 8 | 1 | 48030103 | Input Shaft |
| 9 | 1 | 6208 | Bearing |
| 10 | 1 | 48030269 | Gearbox Housing |
| 11 | 1 | 48030056 | Fill Plug |
| 12 | 1 | 48030273 | Washer Gasket |
| 13 | 1 | 48030272 | Plug |
| 14 | 1 | 48030238 | Nut M24 x 1.5 |
| 15 | 1 | 48030032 | Pinion Z-12 GOF69-98 540 RPM |
| 15 | 1 | 48030026 | Pinion Z-15 GOF108 1000 RPM |
| 16 | 1 | 32010 | Bearing |
| 17 | 1 | 50x72x10 | Oil Seal |
| 18 | 1 | 48030553 | Gasket |
| 19 | 4 | 97495034 | Lock Washer |
| 20 | 4 | 96609921 | Bolt M12 x 30 |
| 21 | 1 | 97036911 | Grease Zerk |
| 22 | 1 | 50x80x10 | Oil Seal |
| 23 | 1 | 30208 | Bearing |
| 24 | 1 | 48030463 | Labyrinth |
| 25 | 1 | 48030061 | Spacer |
| 26 | 1 | 19703042 | Lock Nut |
| 27 | 1 | 48030213 | Split Pin |
| 28 | 1 | 97284380 | O-Ring 3225 |
| 29 | As Req'd | 98045016 | Shim 0.2 |
| 29 | As Req'd | 98045216 | Shim 0.3 |
| 29 | As Req'd | 98046016 | Shim 0.5 |
| 30 | 1 | 96874776 | Circlip 80 x 2.5 |
| 31 | | | Advise Model & Serial Number |
| 32 | | | Advise Model & Serial Number |

GOF69-89 PTO SHAFT

Bondioli & Pavesi

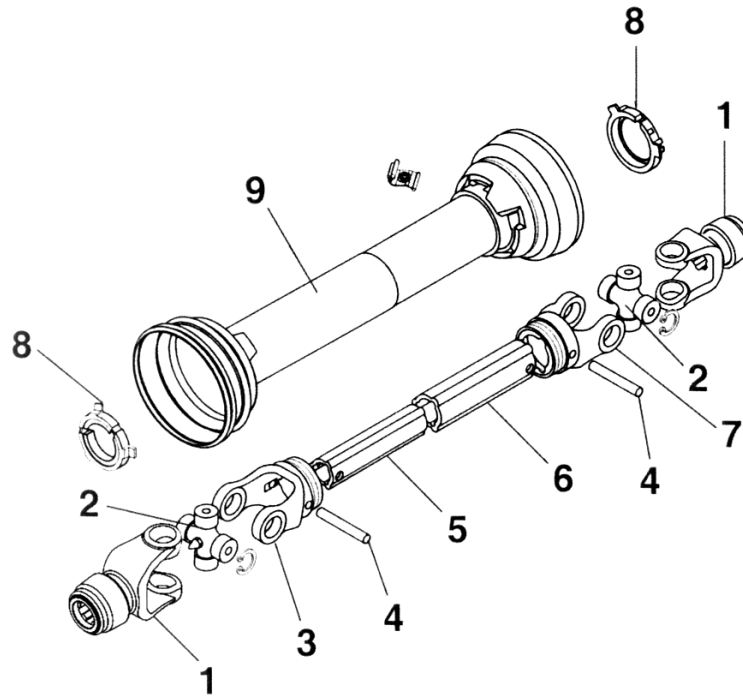


| <u>REF#</u> | <u>QTY.</u> | <u>PART NO.</u> | <u>DESCRIPTION</u> |
|-------------|-------------|-----------------|-----------------------------|
| 1 | 2 | 572060351 | RS Yoke 1-3/8 6 Spline |
| 2 | 2 | 41206 | #6 Cross Kit |
| 3 | 1 | 204066851 | Outer Tube Yoke |
| 4 | 1 | 341042000 | Roll Pin O.T. |
| 5 | 1 | 225690860 | Outer Drive Tube 860 mm |
| 6 | 1 | 225110860 | Inner Drive Tube 860 mm |
| 7 | 1 | 204066852 | Inner Tube Yoke |
| 8 | 1 | 341043000 | Roll Pin I.T. |
| 9 | 2 | 240003051 | RS Collar Kit |
| 10 | 1 | 255060005 | Shield Bearing Outer |
| 11 | 1 | 255060006 | Shield Bearing Inner |
| 12 | 2 | 252000001 | Safety Chain |
| 13 | 1 | 5F06086FF | Complete Shield w/Bearings |
| | 1 | 7106086T07S07 | Complete Driveline Assembly |

Please specify driveline manufacturer when ordering parts.

GOF69-89 PTO SHAFT

Weasler

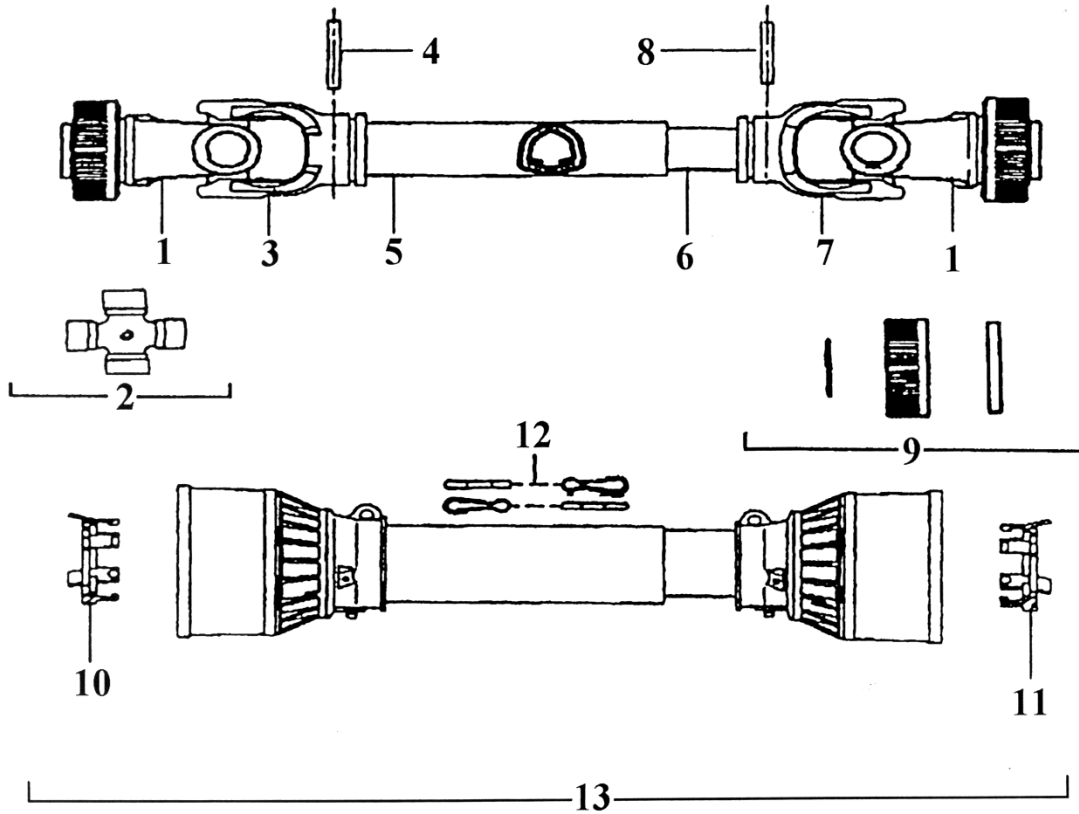


| <u>REF#</u> | <u>QTY.</u> | <u>PART NO.</u> | <u>DESCRIPTION</u> |
|-------------|-------------|-----------------|------------------------------|
| 1 | 2 | 110-8606 | Yoke Auto Lock |
| 2 | 2 | 201-8692 | Cross and Bearing Kit |
| 3 | 1 | 410.600245 | Yoke Inner Tube |
| 4 | 2 | 795.1080 | Spring Pin 10 x 80 |
| 5 | 1 | 710.454 | Inner Tube |
| 6 | 1 | 710.544 | Outer Tube |
| 7 | 1 | 410.600254 | Yoke Outer Tube |
| 8 | 2 | 961-3567 | Bearing Kit |
| 9 | 1 | 902-3560 | Shield Kit |
| | 1 | 13006500 | Safety Chain Kit (Not Shown) |
| | 1 | AB608363 | Complete Driveline Assembly |

Please specify driveline manufacturer when ordering parts.

GOF98-108 PTO SHAFT

Bondioli & Pavesi

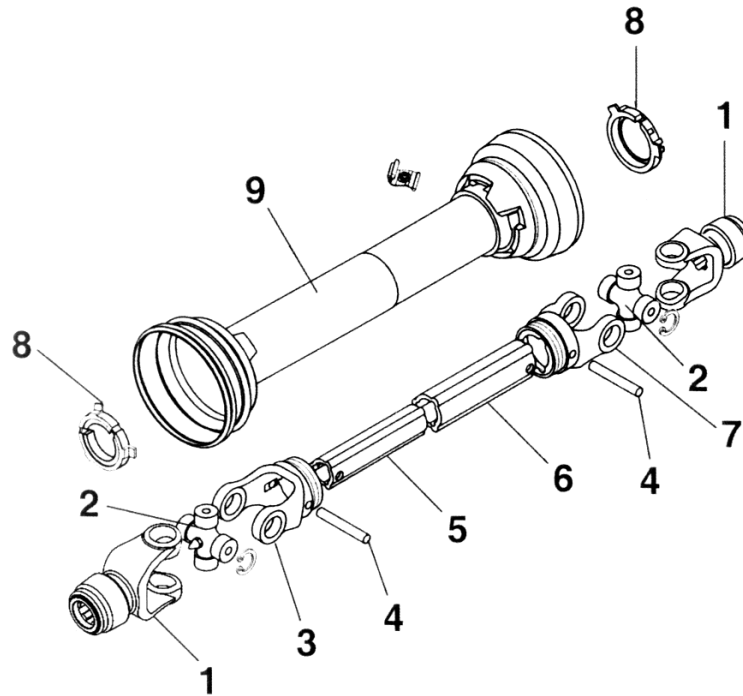


| <u>REF#</u> | <u>QTY.</u> | <u>PART NO.</u> | <u>DESCRIPTION</u> |
|-------------|-------------|-----------------|-----------------------------|
| 1 | 2 | 572080351 | RS Yoke 1-3/8 6 Spline |
| 2 | 2 | 41208 | #8 Cross Kit |
| 3 | 1 | 204086860 | Outer Tube Yoke |
| 4 | 1 | 341054000 | Roll Pin O.T. |
| 5 | 1 | 225730860 | Outer Drive Tube |
| 6 | 1 | 225690860 | Inner Drive Tube |
| 7 | 1 | 204086861 | Inner Tube Yoke |
| 8 | 1 | 341055000 | Roll Pin I.T. |
| 9 | 2 | 240003551 | RS Collar Kit |
| 10 | 1 | 255080005 | Shield Bearing Outer |
| 11 | 1 | 255080006 | Shield Bearing Inner |
| 12 | 2 | 252000005 | Safety Chain |
| 13 | 1 | 5F08086F6 | Complete Shield w/Bearings |
| | 1 | 7108086T07S07 | Complete Driveline Assembly |

Please specify driveline manufacturer when ordering parts.

GOF98-108 PTO SHAFT

Weasler



| <u>REF#</u> | <u>QTY.</u> | <u>PART NO.</u> | <u>DESCRIPTION</u> |
|-------------|-------------|-----------------|--|
| 1 | 2 | 110-8606 | Yoke Auto Lock |
| 1 | - | 400.724621 | Yoke Auto Lock |
| 2 | 2 | 201-6806 | Cross and Bearing Kit |
| 3 | 1 | 410.800245 | Yoke Inner Tube |
| 4 | 2 | 795.1290 | Spring Pin 12 x 90 |
| 5 | 1 | 710.554 | Inner Tube |
| 6 | 1 | 710.634 | Outer Tube |
| 7 | 1 | 410.800263 | Yoke Outer Tube |
| 8 | 2 | 961-4589 | Bearing Kit |
| 9 | 1 | 902-4560 | Shield Kit |
| | 1 | 13006500 | Safety Chain Kit (Not Shown) |
| | 1 | ZB8086638 | Complete Driveline Assembly 1-3/8" 6 Spline |
| | 1 | ZB80863821 | Complete Driveline Assembly 1-3/8" 21 Spline |

Please specify driveline manufacturer when ordering parts.

LIMITED WARRANTY



GEARMORE, INC., warrants each new Gearmore product to be free from defects in material and workmanship for a period of twelve (12) months from date of purchase to the original purchaser. This warranty shall not apply to implements or parts that have been subject to misuse, negligence, accident, or that have been altered in any way.

Our obligation shall be limited to repairing or replacement of any part, provided that such part is returned within thirty (30) days from date of failure to Gearmore through the dealer from whom the purchase was made, transportation charges prepaid.

This warranty shall not be interpreted to render us liable for injury or damages of any kind or nature, direct, consequential or contingent, to person or property. This warranty does not extend to loss of crops, loss because of delay in harvesting or any other expenses, for any other reasons.

Gearmore in no way warrants engines, tires, or other trade accessories, since these items are warranted separately by these respective manufacturers.

Gearmore reserves the right to make improvements in design or changes in specification at any time, without incurring any obligations to owners or units previously sold.

GEARMORE, INC.
13477 Benson Ave.
Chino, CA 91710

Always refer to and heed machine operating warning decals on machine.

The serial number of this product is stored in our computer database, thus submitting a warranty registration card is not required.