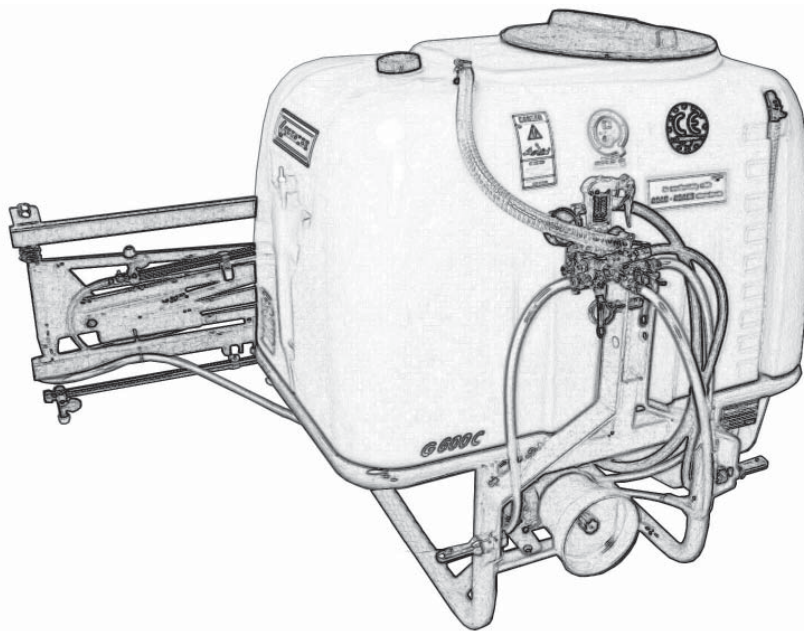




ECONOMY SPRAYERS GC SERIES



**Parts Manual
For Models:
GC400 & GC600**

October 2011

TABLE OF CONTENTS

| <u>SECTION</u> | <u>DESCRIPTION</u> | <u>PAGE</u> |
|----------------|----------------------------------|---------------|
| 1 | Introduction | 1 |
| 1.1 | Purchaser's Responsibility | 1 |
| 1.2 | Serial Number Information | 1 |
| 2 | Replacement Parts | 2 - 10 |
| 2.1 | GC400 Main Frame & Tank | 2 |
| 2.2 | GC400 Parts List | 3-4 |
| 2.3 | GC600 Main Frame & Tank | 5 |
| 2.4 | GC600 Parts List | 6-7 |
| 2.5 | Run of Fluids | 8 |
| 2.6 | Parts List | 9-10 |
| 3 | Limited Warranty | 11 |

1 INTRODUCTION

This manual contains parts diagrams and replacement parts lists. Do not modify the equipment in any way. Unauthorized modification may impair the function and/or safety and could affect the life of the equipment.

It is the responsibility of the owner to make sure the machine is maintained properly, and that all parts are in working order.

Where replacement parts are necessary for periodic maintenance and servicing, genuine factory replacement parts ***MUST*** be used to restore your equipment to original specifications. The manufacturer will not be responsible for injuries or damages caused by use of unapproved parts and/or accessories.

The manufacturer reserves the right to make improvements to the machinery and parts at any time and at their discretion.

OPERATOR ORIENTATION - The directions left, right, front and rear, are as seen from the driver's seat and facing in the direction of travel.

1.1 PURCHASER'S RESPONSIBILITY

It is the responsibility of the purchaser and/or operator to.....

- Inspect the equipment and replace or repair any parts that are damaged or worn which under continued operation would cause damage, wear to other parts, or cause a safety hazard.
- Return the equipment or parts to the authorized dealer, from where it was purchased, for service or replacement of defective parts that are covered by warranty. (The factory may inspect equipment or parts before warranty claims are honored.)
- Payment of all costs incurred by the dealer for traveling to or transporting the equipment for warranty inspection and or claims.

1.2 MODEL / SERIAL NUMBER

NAME: _____

PURCHASED FROM: _____

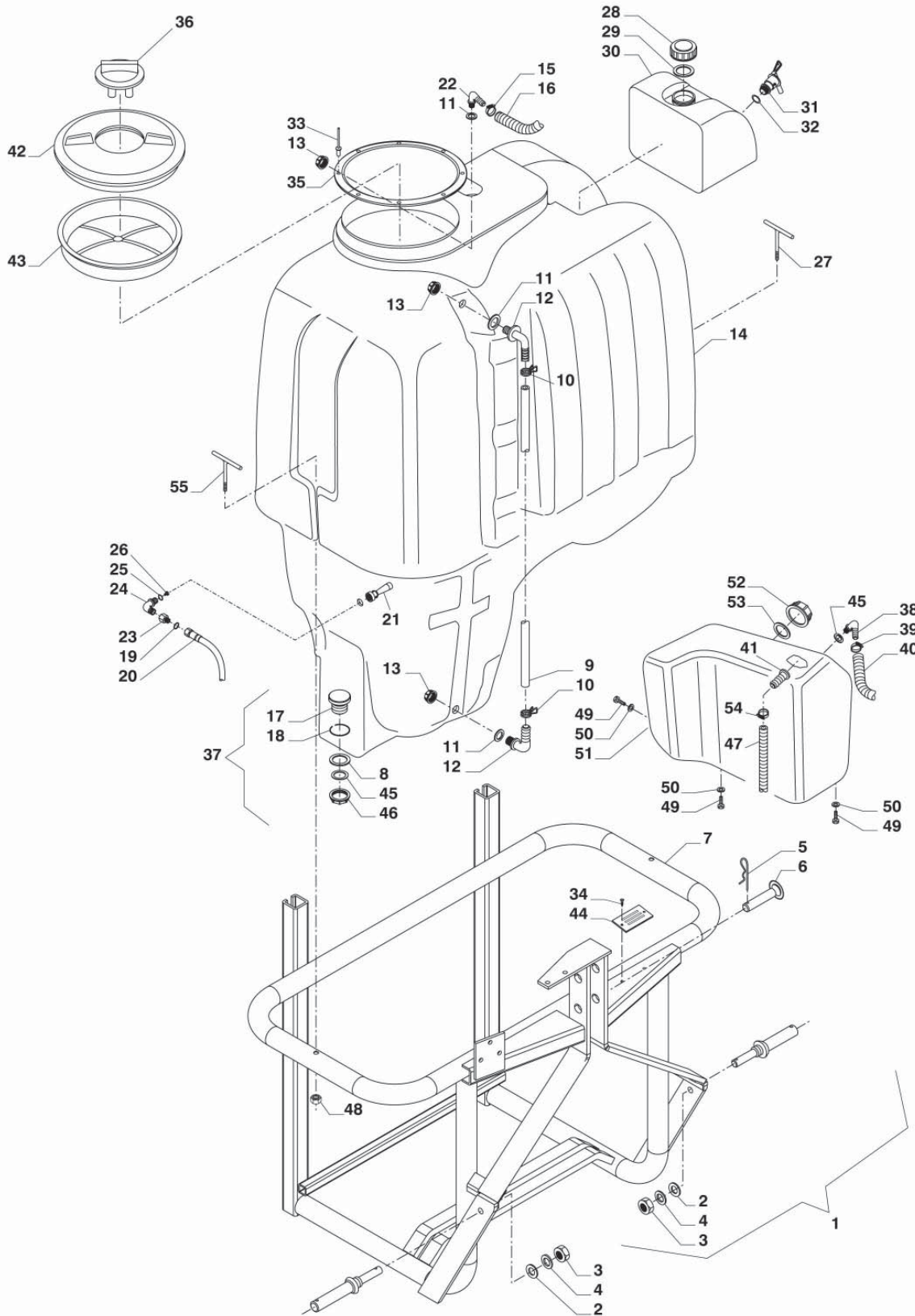
DATE OF PURCHASE: _____

MODEL NUMBER: _____

SERIAL NUMBER: _____

2 REPLACEMENT PARTS

2.1 GC400 MAIN FRAME & TANK



2 REPLACEMENT PARTS (CONTINUED)

2.2 GC400 PARTS LIST

| <u>REF.</u> | <u>QTY.</u> | <u>PART NO.</u> | <u>DESCRIPTION</u> |
|-------------|-------------|-----------------|---|
| 1 | 2 | 2100011 | Single Complete Pivot 22-22 |
| 2 | 2 | 1800168 | Washer 23 x 39 UNI 6592 R 40 Galvanized |
| 3 | 2 | 0102292 | Nut M.22 x 1.5 PF Galvanized |
| 4 | 2 | 1800167 | Washer Grower D.23 x 35 UNI L. 1751 Galvanized |
| 5 | 1 | 2100001 | Pin R 3 |
| 6 | 1 | 0102244 | Pin D.19 |
| 7 | 1 | 0102021 | Frame GC400 |
| 8 | 1 | AG2052050 | Lock Ring G 1 1/4 |
| 9 | 1 | 1600571 | Vipla Crystal Hose 12 x 17 L=750 |
| 10 | 2 | 1500030 | Clamp BIF. A Spring 173 mm 16.8-17.7 |
| 11 | 3 | 1700001 | Gasket D.32 x 21 x 2 |
| 12 | 2 | 1400130 | Elbow Fitting D.13 1/2 |
| 13 | 3 | 1400001 | Ring Nut 1/2 |
| 14 | 1 | 0600273 | Tank Minnesota ATOM 400 LT NAT L |
| 15 | 1 | 1500003 | Clamp Perfect 14 x 27 |
| 16 | 1 | 1600209 | Tube Spiral D.20 L=650 |
| 17 | 1 | 1400017 | Outlet |
| 18 | 1 | 1700015 | Gasket 57.5 x 40 x 3 |
| 19 | 1 | AG006100PE | Gasket For Joint D.11.8 x 18 x 2 P |
| 20 | 1 | 1600235 | Hose CO.PCV 10 x 19 80 Bar L=800 |
| 21 | 1 | 1400074 | Body Jet Agitation |
| 22 | 1 | 1400062 | Elbow Connector D.20 1/2 G |
| 23 | 1 | 1300146 | Extension Cylindrical MF 1/2" |
| 24 | 1 | AG502010.020 | Welding For Thread |
| 25 | 1 | 1700006 | OR D.36 x 26 x 5 |
| 26 | 1 | 1400076 | Nozzle D.2 |
| 27 | 1 | 0600355 | Tie Rod 90 x 80 x 100 H120 |
| 28 | 1 | 0600358 | Plug Handwashing Minnesota ATOM D.80 S/Gasket |
| 29 | 1 | 0600359 | Flat Gasket D.56 x 80 x 2 Handwashing Plug Minnesota ATOM |
| 30 | 1 | 0600357 | Tank Handwashing Minnesota ATOM NAT. |
| 31 | 1 | 0600190 | Handwashing Valve |
| 32 | 1 | 0600191 | Gasket Valve |
| 33 | 8 | 1800351 | Tear A Rivet D.5 x 20 Aluminum |
| 34 | 2 | 1800480 | Rivet TT AL 3 x 10 |
| 35 | 1 | 0600014 | Tank Ring |
| 36 | 1 | AG3522000 | Group Double Valve |
| 37 | 1 | 1400112 | Outlet Plug Complete |
| 38 | 1 | AG1102325 | Curve Adapter 3/4" F. D.25 |
| 39 | 1 | 1500004 | Clamp Perfect 21 x 38 |
| 40 | 1 | 1600512 | Spiral Hose D.25 L=600 |
| 41 | 1 | AG1032325 | Straight Hose Fitting With Male Thread 3/4" D=25 |
| 42 | 1 | AG3522060 | Tank Lid |
| 43 | 1 | 0600023 | Tank Filter |
| 44 | 1 | 2600009 | Small Label Register |
| 45 | 2 | 1700011 | Gasket D.40 x 25 x 4 |
| 46 | 1 | 1400010 | Female Plug 1" 1/4 |
| 47 | 1 | 1600790 | Spiral Hose D.25 L=450 |
| 48 | 2 | 1800191 | Nut Aut. High M12 |

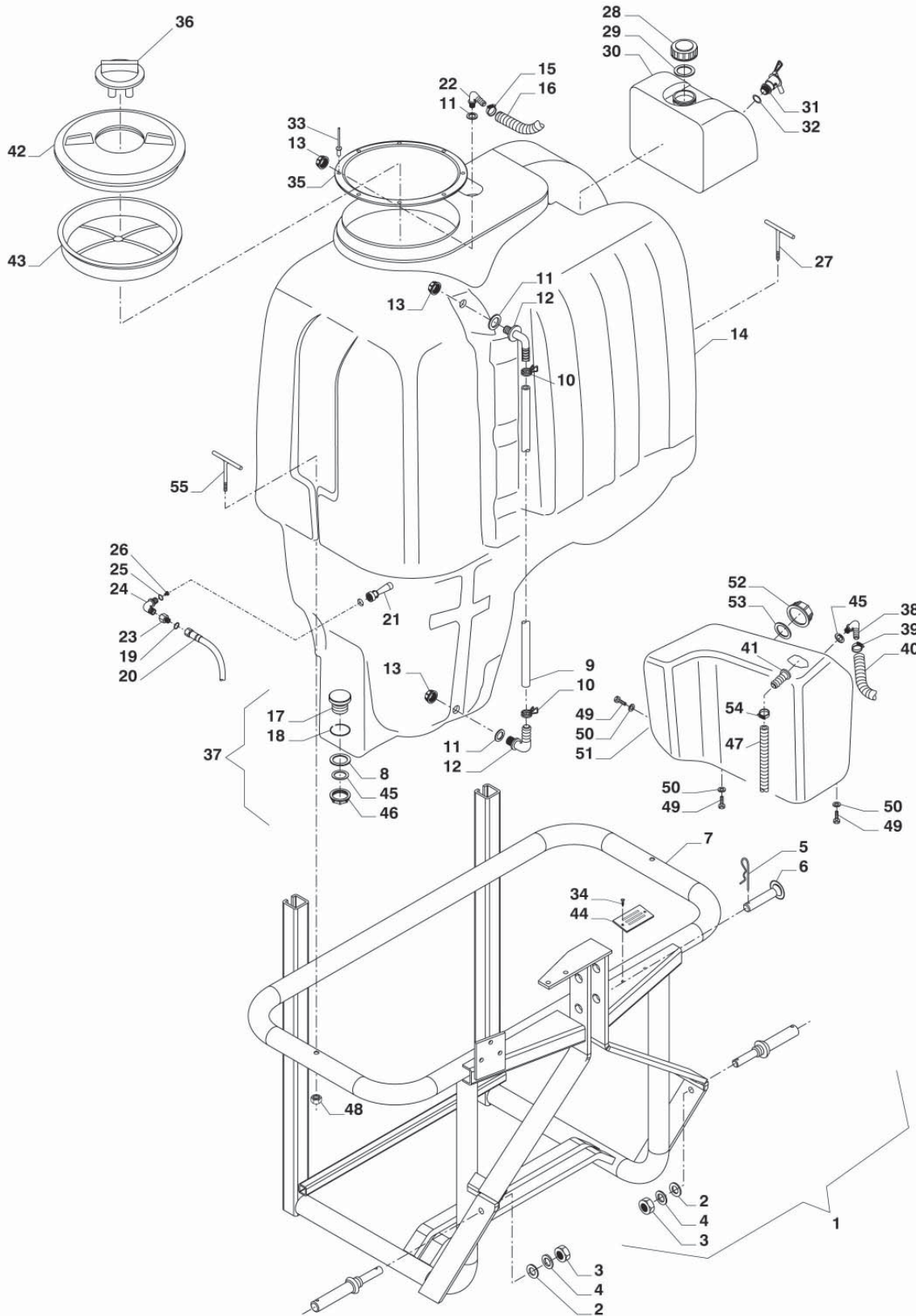
2 REPLACEMENT PARTS (*CONTINUED*)

2.2 GC400 PARTS LIST (*Continued*)

| <u>REF.</u> | <u>QTY.</u> | <u>PART NO.</u> | <u>DESCRIPTION</u> |
|-------------|-------------|------------------|--|
| 49 | 5 | 1800011 | Bolt TE UNI 5739 8.8 6 x 16 Galvanized |
| 50 | 5 | 1800114 | Washer 6 x 18 UNI 6593 R40 Galvanized |
| 51 | 1 | E.MATCIR05/600NA | Clean Water Tank ATOM 500/600 NAT 48 LT. |
| 52 | 1 | 0600360 | Tank Plug D.122 Spring Valve |
| 53 | 1 | 0600361 | Plug Gasket D.122 |
| 54 | 1 | 1500008 | SS Clamp INOX AISI/304 21 x 38/12.7 |
| 55 | 1 | 0600356 | Tie Rod 90 x 80 x 100 H170 |

2 REPLACEMENT PARTS (CONTINUED)

2.3 GC600 MAIN FRAME & TANK



2 REPLACEMENT PARTS (CONTINUED)

2.4 GC600 PARTS LIST

| <u>REF.</u> | <u>QTY.</u> | <u>PART NO.</u> | <u>DESCRIPTION</u> |
|-------------|-------------|-----------------|---|
| 1 | 2 | 2100011 | Single Complete Pivot 22-22 |
| 2 | 2 | 1800168 | Washer 23 x 39 UNI 6592 R 40 Galvanized |
| 3 | 2 | 0102292 | Nut M.22 x 1.5 PF Galvanized |
| 4 | 2 | 1800167 | Washer Grower D.23 x 35 UNI L. 1751 Galvanized |
| 5 | 1 | 2100001 | Pin R 3 |
| 6 | 1 | 0102244 | Pin D.19 |
| 7 | 1 | 0102026 | Frame GC600 |
| 8 | 1 | AG2052050 | Lock Ring G 1 1/4 |
| 9 | 1 | 1600883 | Vipla Crystal Hose 12 x 17 L=1050 |
| 10 | 2 | 1500030 | Clamp BIF. A Spring 173 mm 16.8-17.7 |
| 11 | 3 | 1700001 | Gasket D.32 x 21 x 2 |
| 12 | 2 | 1400130 | Elbow Fitting D.13 1/2 |
| 13 | 3 | 1400001 | Ring Nut 1/2 |
| 14 | 1 | 0600272 | Tank Minnesota ATOM 600 LT NAT L |
| 15 | 1 | 1500003 | Clamp Perfect 14 x 27 |
| 16 | 1 | 1600209 | Tube Spiral D.20 L=650 |
| 17 | 1 | 1400017 | Outlet |
| 18 | 1 | 1700015 | Gasket 57.5 x 40 x 3 |
| 19 | 1 | AG006100PE | Gasket For Joint D.11.8 x 18 x 2 P |
| 20 | 1 | 1600235 | Hose CO.PCV 10 x 19 80 Bar L=800 |
| 21 | 1 | 1400074 | Body Jet Agitation |
| 22 | 1 | 1400062 | Elbow Connector D.20 1/2 G |
| 23 | 1 | 1300146 | Extension Cylindrical MF 1/2" |
| 24 | 1 | AG502010.020 | Welding For Thread |
| 25 | 1 | 1700006 | OR D.36 x 26 x 5 |
| 26 | 1 | 1400076 | Nozzle D.2 |
| 27 | 1 | 0600356 | Tie Rod 90 x 80 x 100 H170 |
| 28 | 1 | 0600358 | Plug Handwashing Minnesota ATOM D.80 S/Gasket |
| 29 | 1 | 0600359 | Flat Gasket D.56 x 80 x 2 Handwashing Plug Minnesota ATOM |
| 30 | 1 | 0600357 | Tank Handwashing Minnesota ATOM NAT. |
| 31 | 1 | 0600190 | Handwashing Valve |
| 32 | 1 | 0600191 | Gasket Valve |
| 33 | 8 | 1800351 | Tear A Rivet D.5 x 20 Aluminum |
| 34 | 2 | 1800480 | Rivet TT AL 3 x 10 |
| 35 | 1 | 0600014 | Tank Ring |
| 36 | 1 | AG3522000 | Group Double Valve |
| 37 | 1 | 1400112 | Outlet Plug Complete |
| 38 | 1 | AG1102325 | Curve Adapter 3/4" F. D.25 |
| 39 | 1 | 1500004 | Clamp Perfect 21 x 38 |
| 40 | 1 | 1600512 | Spiral Hose D.25 L=600 |
| 41 | 1 | AG1032325 | Straight Hose Fitting With Male Thread 3/4" D=25 |
| 42 | 1 | AG3522060 | Tank Lid |
| 43 | 1 | 0600023 | Tank Filter |
| 44 | 1 | 2600009 | Small Label Register |
| 45 | 2 | 1700011 | Gasket D.40 x 25 x 4 |
| 46 | 1 | 1400010 | Female Plug 1" 1/4 |
| 47 | 1 | 1600790 | Spiral Hose D.25 L=450 |
| 48 | 2 | 1800191 | Nut Aut. High M12 |

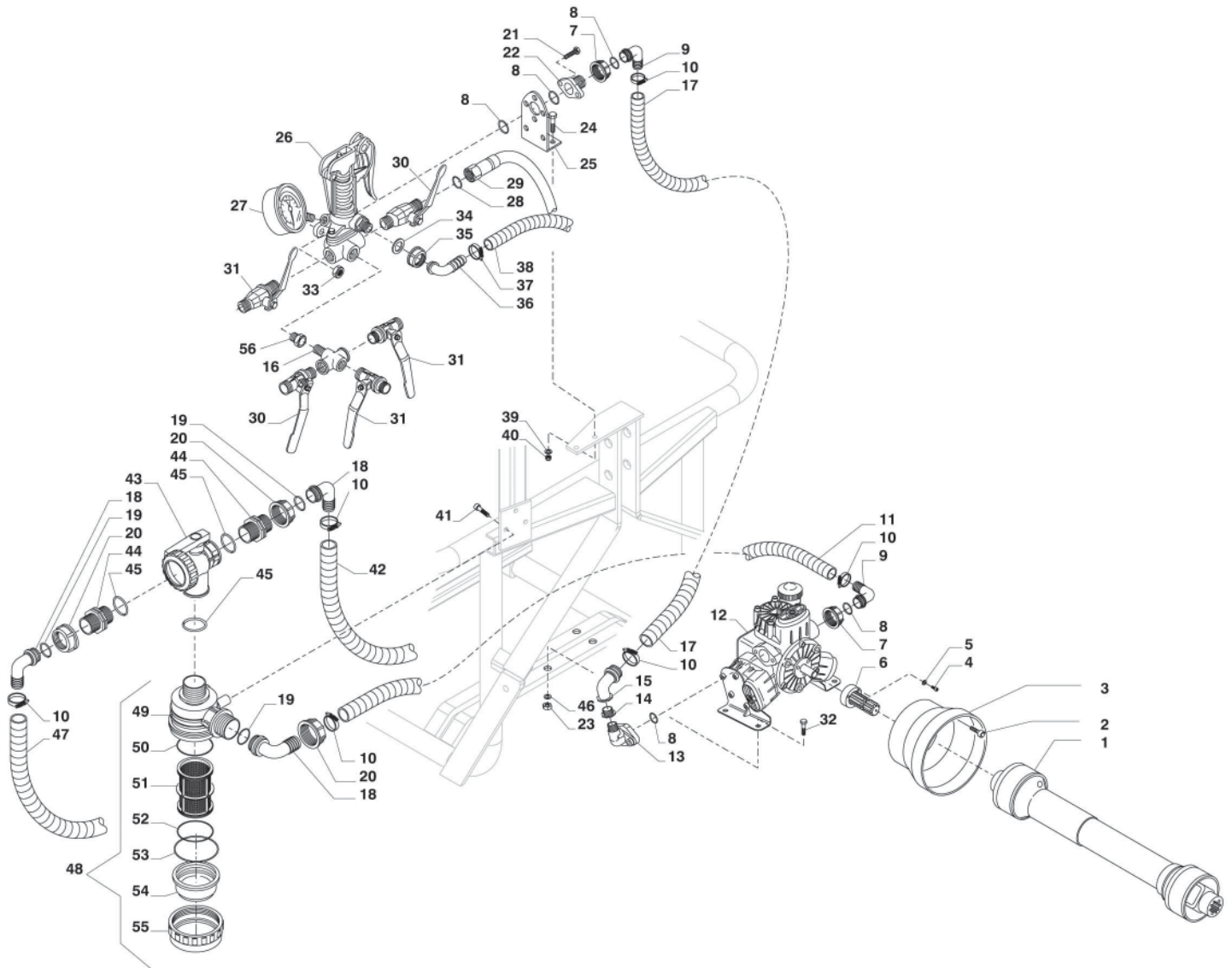
2 REPLACEMENT PARTS (*CONTINUED*)

2.4 PARTS LIST (*Continued*)

| <u>REF.</u> | <u>QTY.</u> | <u>PART NO.</u> | <u>DESCRIPTION</u> |
|-------------|-------------|------------------|--|
| 49 | 5 | 1800011 | Bolt TE UNI 5739 8.8 6 x 16 Galvanized |
| 50 | 5 | 1800114 | Washer 6 x 18 UNI 6593 R40 Galvanized |
| 51 | 1 | E.MATCIR05/600NA | Clean Water Tank ATOM 500/600 NAT 48 LT. |
| 52 | 1 | 0600360 | Tank Plug D.122 Spring Valve |
| 53 | 1 | 0600361 | Plug Gasket D.122 |
| 54 | 1 | 1500008 | SS Clamp INOX AISI/304 21 x 38/12.7 |
| 55 | 1 | 0600356 | Tie Rod 90 x 80 x 100 H170 |

2 REPLACEMENT PARTS (CONTINUED)

2.5 PUMP ASSEMBLY



2 REPLACEMENT PARTS (*CONTINUED*)

2.6 PUMP ASSEMBLY PARTS LIST

| <u>REF.</u> | <u>QTY.</u> | <u>PART NO.</u> | <u>DESCRIPTION</u> |
|-------------|-------------|-----------------|---|
| 1 | 1 | 0900098 | Shaft B1 1000 CE A60 A60 |
| 2 | 4 | 1800034 | Bolt TCEI UNI 5931 8.8 10 x 20 Z |
| 3 | 1 | AR1498 | Outlet Side |
| 4 | 3 | 1800036 | Bolt TE M10 x 25 UNI 5739 8.8 Galvanized |
| 5 | 3 | 1800129 | Washer Grower UNI 1751 M.10 |
| 6 | 1 | AR1519 | Cardan Joint "C" AR303 |
| 7 | 1 | AR550242 | Ring Nut |
| 8 | 5 | AR550350 | O-Ring |
| 9 | 1 | AR550370 | Elbow |
| 10 | 6 | 1500004 | Clamp Perfect 21 x 38 |
| 11 | 1 | 1600692 | Spiral Hose D.25 L=1000 |
| 12 | 1 | AR403 | Pump AR403 SP SGC |
| 13 | 1 | AR450145 | Flange |
| 14 | 1 | 1300226 | Reducer M.F. CIL 449 1/2 1/4 |
| 15 | 1 | AG1102325 | Curve Adapter 3/4" F. D.25 |
| 16 | 1 | AR1041220 | Cross Fitting 3/8" |
| 17 | 1 | 1600882 | Hose 25 x 37 Rotary Drill 20 L=1250 |
| 18 | 3 | 1400057 | Curve Connector D.25 |
| 19 | 3 | 1700066 | OR D.31 x 25 x 3 |
| 20 | 3 | 1400013 | Fly Nut 1" 1/4 |
| 21 | 2 | AR160660 | Bolt |
| 22 | 1 | AR550390 | Flange |
| 23 | 4 | 1800186 | Nut Aut. HIGH CL. 8 M 10 |
| 24 | 2 | 1800021 | Bolt TE UNI 5739 8.8 8 x 20 Galvanized |
| 25 | 1 | AR320406 | Bracket |
| 26 | 1 | AR30743 | Reg. of Pression 5 Way |
| 27 | 1 | AR391240 | Pressure Gauge D.63 0-24 BAR |
| 28 | 1 | AG006100PE | Gasket For joint D.11.8 x 18 x 2 P |
| 29 | 1 | 1600235 | Hose CO. PCV 10 x 19 80 BAR L=800 |
| 30 | 2 | 1300010 | Valve LH 3/8" x 1/2" A.5264 |
| 31 | 3 | 1300009 | Cock RH 3/8" x 1/2" "Meteor" A.5263 |
| 32 | 4 | 1800036 | Bolt TE M 10 x 25 UNI 5739 8.8 Galvanized |
| 33 | 2 | 1800180 | Nut M8 UNI 5587 - 6.8 Galvanized |
| 34 | 1 | AR880830 | O-Ring |
| 35 | 1 | AR550450 | Ring Nut |
| 36 | 1 | AR550460 | Elbow |
| 37 | 1 | 1500003 | Clamp Perfect 14 x 27 |
| 38 | 1 | 1600209 | Tube Spiral D.20 L=650 |
| 39 | 2 | 1800120 | Flat Washer UNI 6592 M.8 Galvanized |
| 40 | 2 | 1800180 | Nut M 8 UNI 5587 - 6.8 Galvanized |
| 41 | 2 | 1800020 | Bolt TE M8 x 16 UNI 5739 - 8.8 Galvanized |
| 42 | 1 | 1600890 | Spiral Hose D.25 L=1300 |
| 43 | 1 | AG4542235HV | Ball Valve 1" 1/4 3 Ways F.90° |
| 44 | 2 | AG2502050 | Nipplo G 1 1/4 |
| 45 | 3 | 1700009 | OR D.48.15 x 37.47 x 5.34 |
| 46 | 4 | 1800130 | Plain Washer UNI 6592 M.10 |
| 47 | 1 | 1600512 | Spiral Hose D.25 L=600 |
| 48 | 1 | AG3122053 | Filter ASP 1" 1/4 FC 50 M |

2 REPLACEMENT PARTS (*CONTINUED*)

2.6 PUMP ASSEMBLY PARTS LIST (*Continued*)

| <u>REF.</u> | <u>QTY.</u> | <u>PART NO.</u> | <u>DESCRIPTION</u> |
|-------------|-------------|-----------------|---------------------------|
| 49 | 1 | AG3102050.010 | Filter Body ASP. 1" 1/4 |
| 50 | 1 | AG462200.040 | OR 2.62 x 58.42 3231 EPDM |
| 51 | 1 | AG3122003.030 | Filter |
| 52 | 1 | AG462200.040 | OR 2.62 x 58.42 3231 EPDM |
| 53 | 1 | AG454237.090 | OR 3.53 x 78.97 |
| 54 | 1 | AG3122000.020 | Cover Filter |
| 55 | 1 | 1400069 | Filter Nut |
| 56 | 1 | AR1041210 | Adapter 3/8 GAS M-F |

3 LIMITED WARRANTY



GEARMORE, INC., warrants each new Gearmore product to be free from defects in material and workmanship for a period of twelve (12) months from date of purchase to the original purchaser. This warranty shall not apply to implements or parts that have been subject to misuse, negligence, accident, or that have been altered in any way.

Our obligation shall be limited to repairing or replacement of any part, provided that such part is returned within thirty (30) days from date of failure to Gearmore through the dealer from whom the purchase was made, transportation charges prepaid.

This warranty shall not be interpreted to render us liable for injury or damages of any kind or nature, direct, consequential or contingent, to person or property. This warranty does not extend to loss of crops, loss because of delay in harvesting or any other expenses, for any other reasons.

Gearmore in no way warrants engines, tires, or other trade accessories, since these items are warranted separately by these respective manufacturers.

Gearmore reserves the right to make improvements in design or changes in specification at any time, without incurring any obligations to owners or units previously sold.

Please be advised that all warranty work done by your dealer must be approved by Gearmore before work begins.

GEARMORE, INC.
13477 Benson Ave.
Chino, CA 91710

Always refer to and heed machine operating warning decals on machine.

The serial number of this product is stored in our computer database, thus submitting a warranty registration card is not required.