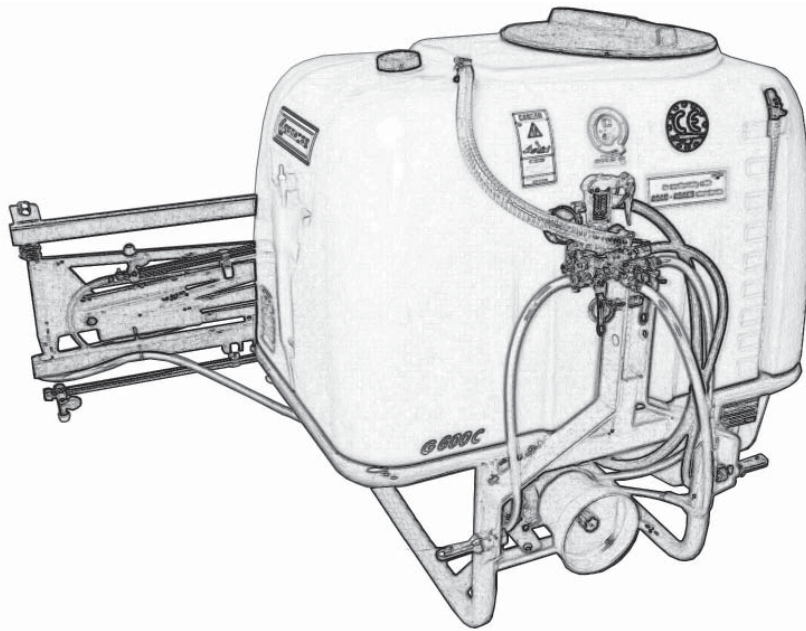




# ECONOMY SPRAYERS GC SERIES



**Parts Manual  
For Models:  
GC400 & GC600**

**October 2011**

# TABLE OF CONTENTS

<u>SECTION</u>	<u>DESCRIPTION</u> .....	<u>PAGE</u>
<b>1</b>	<b>Introduction</b> .....	<b>1</b>
1.1	Purchaser's Responsibility .....	1
1.2	Serial Number Information .....	1
<b>2</b>	<b>Replacement Parts</b> .....	<b>2 - 10</b>
2.1	GC400 Main Frame & Tank .....	2
2.2	GC400 Parts List .....	3-4
2.3	GC600 Main Frame & Tank .....	5
2.4	GC600 Parts List .....	6-7
2.5	Run of Fluids .....	8
2.6	Parts List .....	9-10
<b>3</b>	<b>Limited Warranty</b> .....	<b>11</b>

# 1 INTRODUCTION

This manual contains parts diagrams and replacement parts lists. Do not modify the equipment in any way. Unauthorized modification may impair the function and/or safety and could affect the life of the equipment.

It is the responsibility of the owner to make sure the machine is maintained properly, and that all parts are in working order.

Where replacement parts are necessary for periodic maintenance and servicing, genuine factory replacement parts ***MUST*** be used to restore your equipment to original specifications. The manufacturer will not be responsible for injuries or damages caused by use of unapproved parts and/or accessories.

The manufacturer reserves the right to make improvements to the machinery and parts at any time and at their discretion.

**OPERATOR ORIENTATION** - The directions left, right, front and rear, are as seen from the driver's seat and facing in the direction of travel.

## 1.1 PURCHASER'S RESPONSIBILITY

It is the responsibility of the purchaser and/or operator to.....

- Inspect the equipment and replace or repair any parts that are damaged or worn which under continued operation would cause damage, wear to other parts, or cause a safety hazard.
- Return the equipment or parts to the authorized dealer, from where it was purchased, for service or replacement of defective parts that are covered by warranty. (The factory may inspect equipment or parts before warranty claims are honored.)
- Payment of all costs incurred by the dealer for traveling to or transporting the equipment for warranty inspection and or claims.

## 1.2 MODEL / SERIAL NUMBER

NAME: \_\_\_\_\_

PURCHASED FROM: \_\_\_\_\_

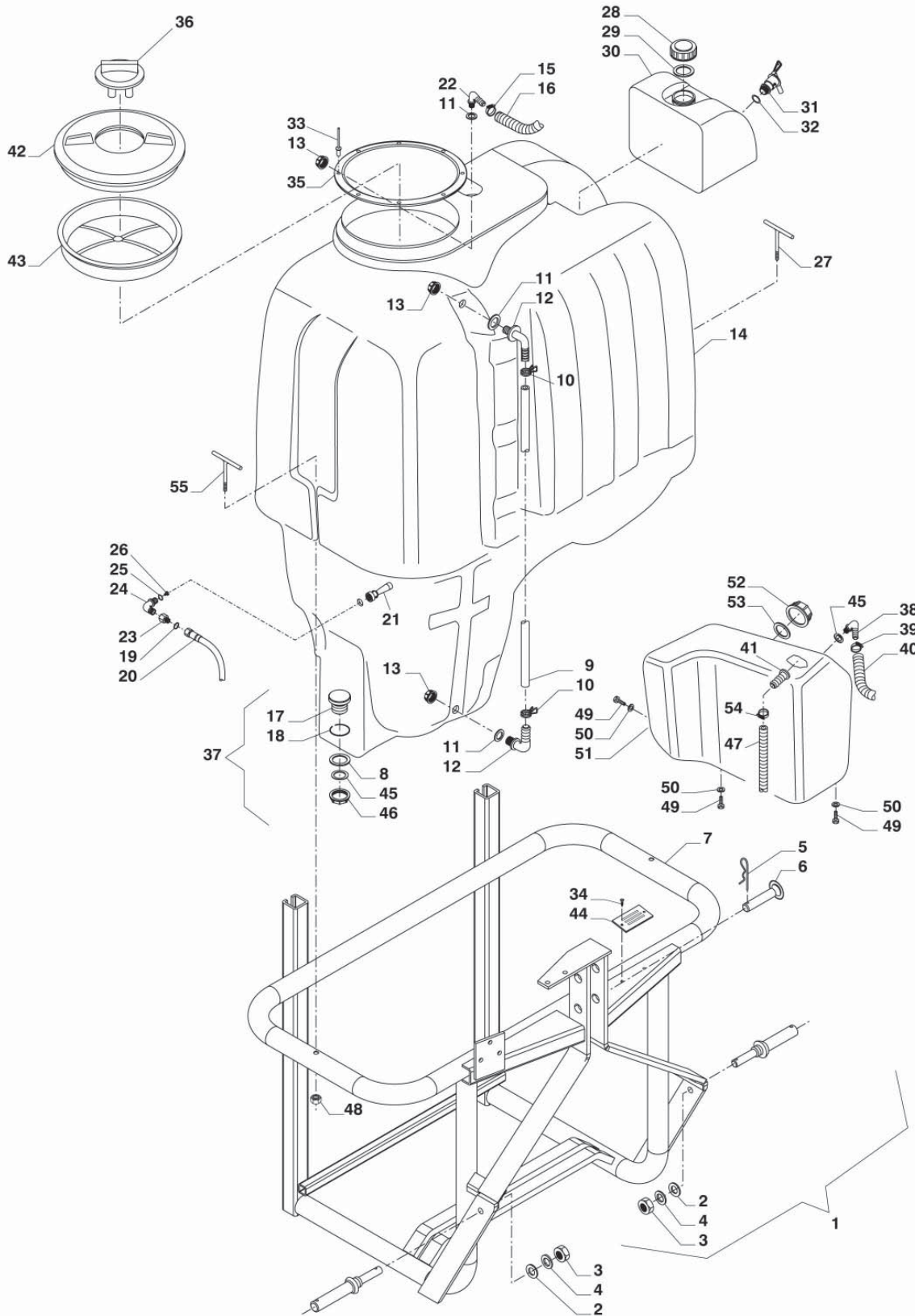
DATE OF PURCHASE: \_\_\_\_\_

MODEL NUMBER: \_\_\_\_\_

SERIAL NUMBER: \_\_\_\_\_

# 2 REPLACEMENT PARTS

## 2.1 GC400 MAIN FRAME & TANK



## 2 REPLACEMENT PARTS (CONTINUED)

### 2.2 GC400 PARTS LIST

<u>REF.</u>	<u>QTY.</u>	<u>PART NO.</u>	<u>DESCRIPTION</u>
1	2	2100011	Single Complete Pivot 22-22
2	2	1800168	Washer 23 x 39 UNI 6592 R 40 Galvanized
3	2	0102292	Nut M.22 x 1.5 PF Galvanized
4	2	1800167	Washer Grower D.23 x 35 UNI L. 1751 Galvanized
5	1	2100001	Pin R 3
6	1	0102244	Pin D.19
7	1	0102021	Frame GC400
8	1	AG2052050	Lock Ring G 1 1/4
9	1	1600571	Vipla Crystal Hose 12 x 17 L=750
10	2	1500030	Clamp BIF. A Spring 173 mm 16.8-17.7
11	3	1700001	Gasket D.32 x 21 x 2
12	2	1400130	Elbow Fitting D.13 1/2
13	3	1400001	Ring Nut 1/2
14	1	0600273	Tank Minnesota ATOM 400 LT NAT L
15	1	1500003	Clamp Perfect 14 x 27
16	1	1600209	Tube Spiral D.20 L=650
17	1	1400017	Outlet
18	1	1700015	Gasket 57.5 x 40 x 3
19	1	AG006100PE	Gasket For Joint D.11.8 x 18 x 2 P
20	1	1600235	Hose CO.PCV 10 x 19 80 Bar L=800
21	1	1400074	Body Jet Agitation
22	1	1400062	Elbow Connector D.20 1/2 G
23	1	1300146	Extension Cylindrical MF 1/2"
24	1	AG502010.020	Welding For Thread
25	1	1700006	OR D.36 x 26 x 5
26	1	1400076	Nozzle D.2
27	1	0600355	Tie Rod 90 x 80 x 100 H120
28	1	0600358	Plug Handwashing Minnesota ATOM D.80 S/Gasket
29	1	0600359	Flat Gasket D.56 x 80 x 2 Handwashing Plug Minnesota ATOM
30	1	0600357	Tank Handwashing Minnesota ATOM NAT.
31	1	0600190	Handwashing Valve
32	1	0600191	Gasket Valve
33	8	1800351	Tear A Rivet D.5 x 20 Aluminum
34	2	1800480	Rivet TT AL 3 x 10
35	1	0600014	Tank Ring
36	1	AG3522000	Group Double Valve
37	1	1400112	Outlet Plug Complete
38	1	AG1102325	Curve Adapter 3/4" F. D.25
39	1	1500004	Clamp Perfect 21 x 38
40	1	1600512	Spiral Hose D.25 L=600
41	1	AG1032325	Straight Hose Fitting With Male Thread 3/4" D=25
42	1	AG3522060	Tank Lid
43	1	0600023	Tank Filter
44	1	2600009	Small Label Register
45	2	1700011	Gasket D.40 x 25 x 4
46	1	1400010	Female Plug 1" 1/4
47	1	1600790	Spiral Hose D.25 L=450
48	2	1800191	Nut Aut. High M12

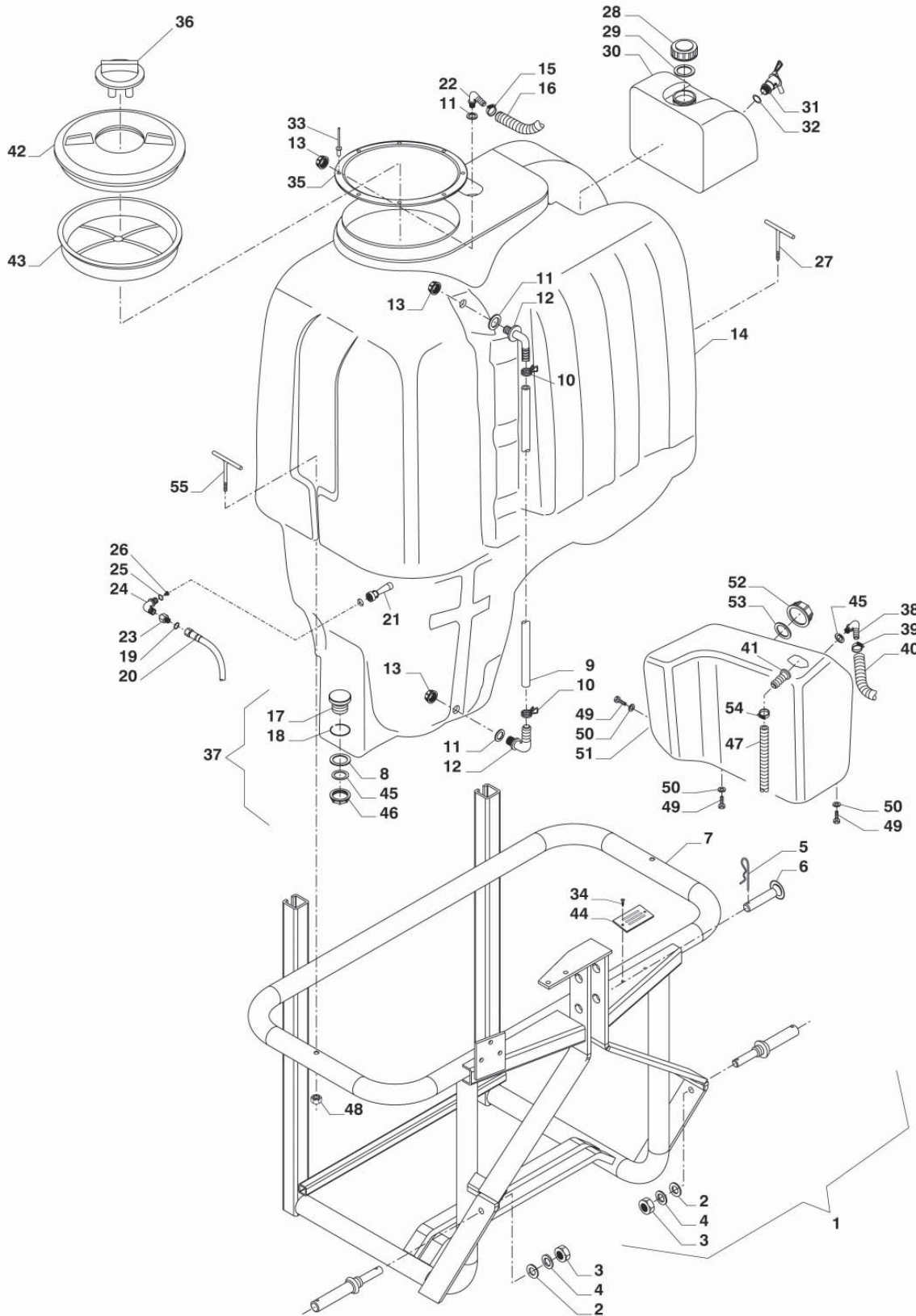
## 2 REPLACEMENT PARTS (*CONTINUED*)

### 2.2 GC400 PARTS LIST (*Continued*)

<u>REF.</u>	<u>QTY.</u>	<u>PART NO.</u>	<u>DESCRIPTION</u>
49	5	1800011	Bolt TE UNI 5739 8.8 6 x 16 Galvanized
50	5	1800114	Washer 6 x 18 UNI 6593 R40 Galvanized
51	1	E.MATCIR05/600NA	Clean Water Tank ATOM 500/600 NAT 48 LT.
52	1	0600360	Tank Plug D.122 Spring Valve
53	1	0600361	Plug Gasket D.122
54	1	1500008	SS Clamp INOX AISI/304 21 x 38/12.7
55	1	0600356	Tie Rod 90 x 80 x 100 H170

## 2 REPLACEMENT PARTS (CONTINUED)

### 2.3 GC600 MAIN FRAME & TANK



## 2 REPLACEMENT PARTS (CONTINUED)

### 2.4 GC600 PARTS LIST

<u>REF.</u>	<u>QTY.</u>	<u>PART NO.</u>	<u>DESCRIPTION</u>
1	2	2100011	Single Complete Pivot 22-22
2	2	1800168	Washer 23 x 39 UNI 6592 R 40 Galvanized
3	2	0102292	Nut M.22 x 1.5 PF Galvanized
4	2	1800167	Washer Grower D.23 x 35 UNI L. 1751 Galvanized
5	1	2100001	Pin R 3
6	1	0102244	Pin D.19
7	1	0102026	Frame GC600
8	1	AG2052050	Lock Ring G 1 1/4
9	1	1600883	Vipla Crystal Hose 12 x 17 L=1050
10	2	1500030	Clamp BIF. A Spring 173 mm 16.8-17.7
11	3	1700001	Gasket D.32 x 21 x 2
12	2	1400130	Elbow Fitting D.13 1/2
13	3	1400001	Ring Nut 1/2
14	1	0600272	Tank Minnesota ATOM 600 LT NAT L
15	1	1500003	Clamp Perfect 14 x 27
16	1	1600209	Tube Spiral D.20 L=650
17	1	1400017	Outlet
18	1	1700015	Gasket 57.5 x 40 x 3
19	1	AG006100PE	Gasket For Joint D.11.8 x 18 x 2 P
20	1	1600235	Hose CO.PCV 10 x 19 80 Bar L=800
21	1	1400074	Body Jet Agitation
22	1	1400062	Elbow Connector D.20 1/2 G
23	1	1300146	Extension Cylindrical MF 1/2"
24	1	AG502010.020	Welding For Thread
25	1	1700006	OR D.36 x 26 x 5
26	1	1400076	Nozzle D.2
27	1	0600356	Tie Rod 90 x 80 x 100 H170
28	1	0600358	Plug Handwashing Minnesota ATOM D.80 S/Gasket
29	1	0600359	Flat Gasket D.56 x 80 x 2 Handwashing Plug Minnesota ATOM
30	1	0600357	Tank Handwashing Minnesota ATOM NAT.
31	1	0600190	Handwashing Valve
32	1	0600191	Gasket Valve
33	8	1800351	Tear A Rivet D.5 x 20 Aluminum
34	2	1800480	Rivet TT AL 3 x 10
35	1	0600014	Tank Ring
36	1	AG3522000	Group Double Valve
37	1	1400112	Outlet Plug Complete
38	1	AG1102325	Curve Adapter 3/4" F. D.25
39	1	1500004	Clamp Perfect 21 x 38
40	1	1600512	Spiral Hose D.25 L=600
41	1	AG1032325	Straight Hose Fitting With Male Thread 3/4" D=25
42	1	AG3522060	Tank Lid
43	1	0600023	Tank Filter
44	1	2600009	Small Label Register
45	2	1700011	Gasket D.40 x 25 x 4
46	1	1400010	Female Plug 1" 1/4
47	1	1600790	Spiral Hose D.25 L=450
48	2	1800191	Nut Aut. High M12



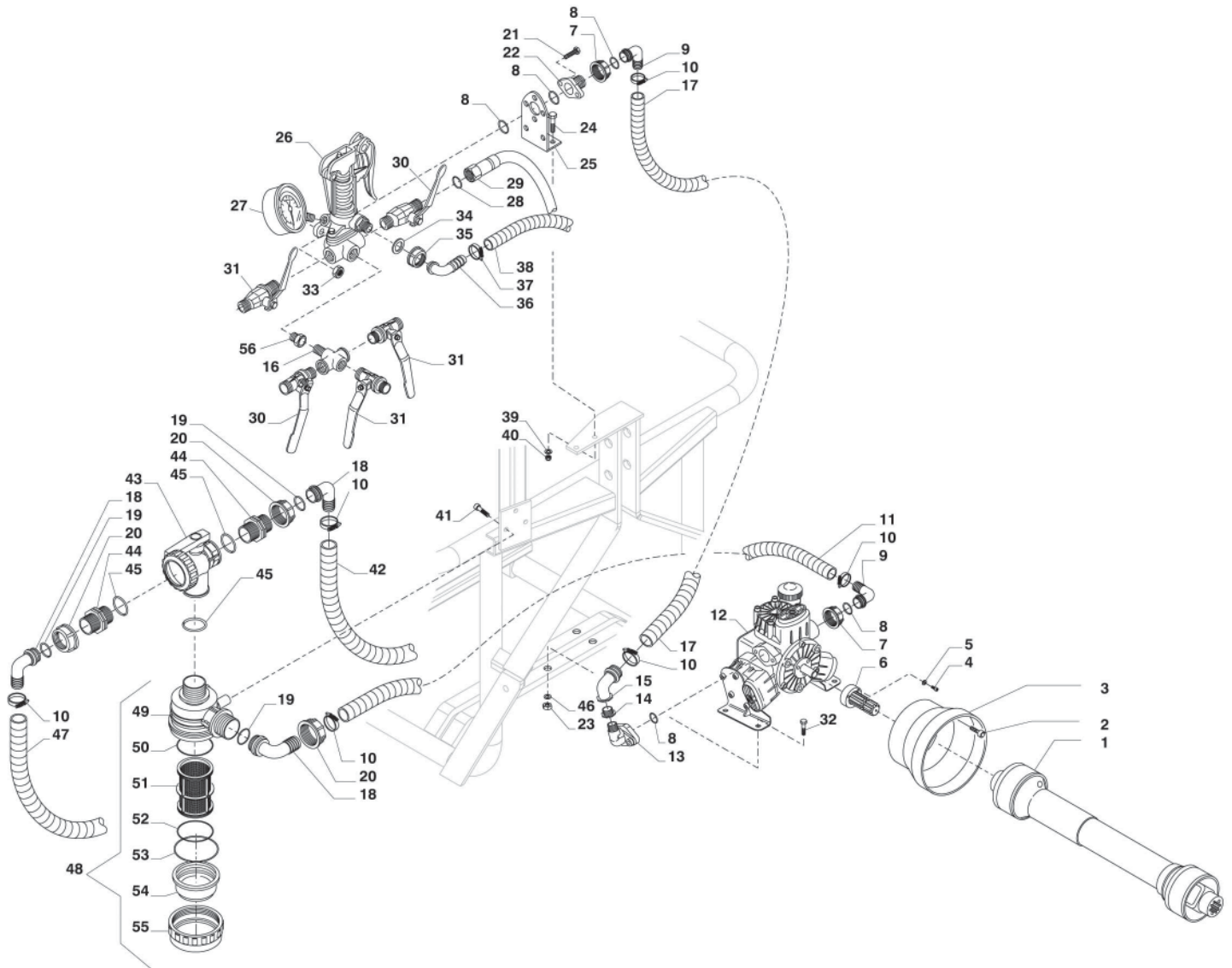
## 2 REPLACEMENT PARTS (*CONTINUED*)

### 2.4 PARTS LIST (*Continued*)

<u>REF.</u>	<u>QTY.</u>	<u>PART NO.</u>	<u>DESCRIPTION</u>
49	5	1800011	Bolt TE UNI 5739 8.8 6 x 16 Galvanized
50	5	1800114	Washer 6 x 18 UNI 6593 R40 Galvanized
51	1	E.MATCIR05/600NA	Clean Water Tank ATOM 500/600 NAT 48 LT.
52	1	0600360	Tank Plug D.122 Spring Valve
53	1	0600361	Plug Gasket D.122
54	1	1500008	SS Clamp INOX AISI/304 21 x 38/12.7
55	1	0600356	Tie Rod 90 x 80 x 100 H170

## 2 REPLACEMENT PARTS (CONTINUED)

### 2.5 PUMP ASSEMBLY



## 2 REPLACEMENT PARTS (*CONTINUED*)

### 2.6 PUMP ASSEMBLY PARTS LIST

<u>REF.</u>	<u>QTY.</u>	<u>PART NO.</u>	<u>DESCRIPTION</u>
1	1	0900098	Shaft B1 1000 CE A60 A60
2	4	1800034	Bolt TCEI UNI 5931 8.8 10 x 20 Z
3	1	AR1498	Outlet Side
4	3	1800036	Bolt TE M10 x 25 UNI 5739 8.8 Galvanized
5	3	1800129	Washer Grower UNI 1751 M.10
6	1	AR1519	Cardan Joint "C" AR303
7	1	AR550242	Ring Nut
8	5	AR550350	O-Ring
9	1	AR550370	Elbow
10	6	1500004	Clamp Perfect 21 x 38
11	1	1600692	Spiral Hose D.25 L=1000
12	1	AR460	Pump AR403 SP SGC
13	1	AR450145	Flange
14	1	1300226	Reducer M.F. CIL 449 1/2 1/4
15	1	AG1102325	Curve Adapter 3/4" F. D.25
16	1	AR1041220	Cross Fitting 3/8"
17	1	1600882	Hose 25 x 37 Rotary Drill 20 L=1250
18	3	1400057	Curve Connector D.25
19	3	1700066	OR D.31 x 25 x 3
20	3	1400013	Fly Nut 1" 1/4
21	2	AR160660	Bolt
22	1	AR550390	Flange
23	4	1800186	Nut Aut. HIGH CL. 8 M 10
24	2	1800021	Bolt TE UNI 5739 8.8 8 x 20 Galvanized
25	1	AR320406	Bracket
26	1	AR887	Reg. of Pression GS20 3 Ways
27	1	AR391240	Pressure Gauge D.63 0-24 BAR
28	1	AG006100PE	Gasket For joint D.11.8 x 18 x 2 P
29	1	1600235	Hose CO. PCV 10 x 19 80 BAR L=800
30	2	1300010	Valve LH 3/8" x 1/2" A.5264
31	3	1300009	Cock RH 3/8" x 1/2" "Meteor" A.5263
32	4	1800036	Bolt TE M 10 x 25 UNI 5739 8.8 Galvanized
33	2	1800180	Nut M8 UNI 5587 - 6.8 Galvanized
34	1	AR880830	O-Ring
35	1	AR550450	Ring Nut
36	1	AR550460	Elbow
37	1	1500003	Clamp Perfect 14 x 27
38	1	1600209	Tube Spiral D.20 L=650
39	2	1800120	Flat Washer UNI 6592 M.8 Galvanized
40	2	1800180	Nut M 8 UNI 5587 - 6.8 Galvanized
41	2	1800020	Bolt TE M8 x 16 UNI 5739 - 8.8 Galvanized
42	1	1600890	Spiral Hose D.25 L=1300
43	1	AG4542235HV	Ball Valve 1" 1/4 3 Ways F.90°
44	2	AG2502050	Nipplo G 1 1/4
45	3	1700009	OR D.48.15 x 37.47 x 5.34
46	4	1800130	Plain Washer UNI 6592 M.10
47	1	1600512	Spiral Hose D.25 L=600
48	1	AG3122053	Filter ASP 1" 1/4 FC 50 M

## 2 REPLACEMENT PARTS (*CONTINUED*)

### 2.6 PUMP ASSEMBLY PARTS LIST (*Continued*)

<u>REF.</u>	<u>QTY.</u>	<u>PART NO.</u>	<u>DESCRIPTION</u>
49	1	AG3102050.010	Filter Body ASP. 1" 1/4
50	1	AG462200.040	OR 2.62 x 58.42 3231 EPDM
51	1	AG3122003.030	Filter
52	1	AG462200.040	OR 2.62 x 58.42 3231 EPDM
53	1	AG454237.090	OR 3.53 x 78.97
54	1	AG3122000.020	Cover Filter
55	1	1400069	Filter Nut
56	1	AR1041210	Adapter 3/8 GAS M-F

### 3 LIMITED WARRANTY



GEARMORE, INC., warrants each new Gearmore product to be free from defects in material and workmanship for a period of twelve (12) months from date of purchase to the original purchaser. This warranty shall not apply to implements or parts that have been subject to misuse, negligence, accident, or that have been altered in any way.

Our obligation shall be limited to repairing or replacement of any part, provided that such part is returned within thirty (30) days from date of failure to Gearmore through the dealer from whom the purchase was made, transportation charges prepaid.

This warranty shall not be interpreted to render us liable for injury or damages of any kind or nature, direct, consequential or contingent, to person or property. This warranty does not extend to loss of crops, loss because of delay in harvesting or any other expenses, for any other reasons.

Gearmore in no way warrants engines, tires, or other trade accessories, since these items are warranted separately by these respective manufacturers.

Gearmore reserves the right to make improvements in design or changes in specification at any time, without incurring any obligations to owners or units previously sold.

Please be advised that all warranty work done by your dealer must be approved by Gearmore before work begins.

GEARMORE, INC.  
13477 Benson Ave.  
Chino, CA 91710

Always refer to and heed machine operating warning decals on machine.

*The serial number of this product is stored in our computer database, thus submitting a warranty registration card is not required.*