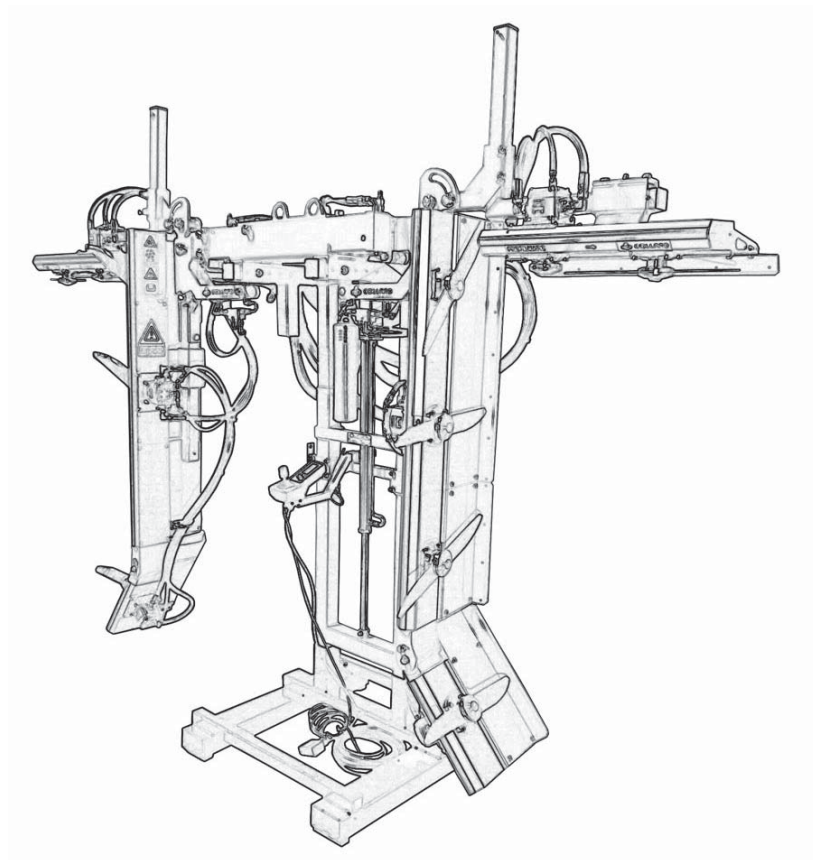


COLLARD®

VINE TRIMMERS

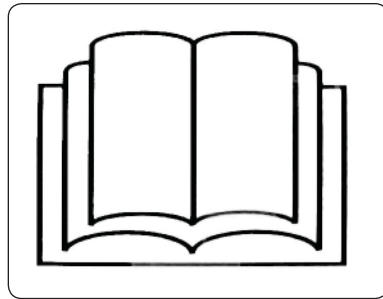


Safety Instructions

January 2014

COLLARD VINE TRIMMERS

GENERAL SAFETY INSTRUCTIONS:



Please carefully read and understand the operating instructions of this manual before using the Vine Trimmer.

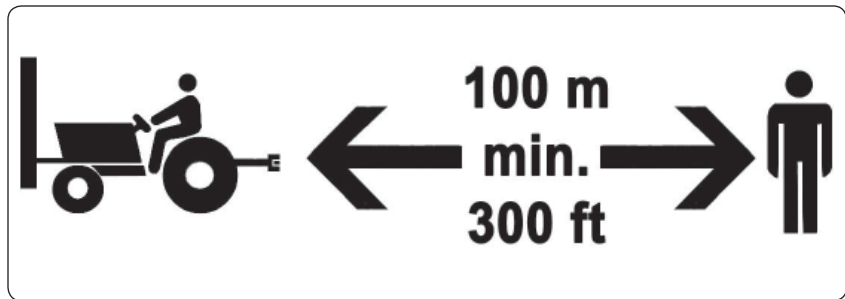


DANGER: Keep hands, feet and clothes away from all moving parts.



WARNING: Only qualified personnel must use this machine. You **MUST** keep children away from this machine even when it is not operating.

GENERAL SAFETY INSTRUCTIONS (CONTINUED)

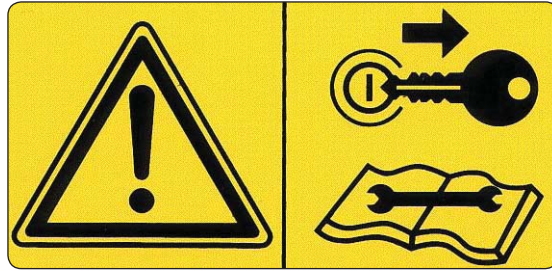


DANGER: This machine has dangerous moving parts. Keep a safe distance from the tractor and implement.

- Make sure that there is nobody in the neighboring vineyard rows. For safety sake, sound the horn at the beginning of each new row.
- Also, sound the horn before coming to the end of each row.
- When leaving the vineyard rows and making turns to next row - switch off the cutting mechanism.

IMPORTANT: *When switching the cutting mechanism back on there will be a 10 to 15 second delay for safety.*

- Notify all field workers and other personnel that this implement will be working in an area and to stay out of that area.
- After each use, the protective snap-on plastic guard must be placed over the blades.
- Fixed protection guards can not be removed from the machine or modified.



WARNING: Before performing any service, verify that both the tractor and machine are firmly on the ground in a stable position. Next, turn off both the tractor and machine - Do Not forget to remove the key from the tractor ignition.

- When doing any work on the blades requiring their removal or cleaning, be sure to wear leather gloves to avoid injury in case of contact with the cutting edges.
- The blades have been balanced at the factory. Normal usage should not affect the cutting edge. Any blade which receives an impact becomes deformed or marked must be replaced.
- The blades are extremely sharp. So always use the supplied COLLARD blade holding tool when working on the blades.

DO NOT TRY TO REPAIR BLADES!

- Each time the blades are removed, the NYLSTOP nuts must be replaced with new ones.
- The hydraulic components are set at the factory. Only your COLLARD dealer is authorized to make adjustments.

OPERATING SAFETY INSTRUCTIONS

- Before use, you **must** make sure all bolts, nuts and connections are tight. In particular the brackets between the machine and tractor.
- If the tractor does not have a cab, protective glasses **must** be worn at all times.
- Clear the area of people, especially children, before operating the machine.
- There must **never** be anybody on the tractor or machine, except the driver.
- The tractor operator **must** never leave the tractor, until the vine trimmer is stopped, the tractor engine is stopped, and the key is removed.
- Any cleaning or other minor adjustments required must be done by the tractor operator only. Nobody else should be in the area when this work is done.

COLLARD VINE TRIMMER SIGN-OFF SAFETY INSTRUCTIONS

To insure that our customers receive detailed safety information, we would like you to have two safety booklets, one in English and one in Spanish. Please make sure all employees that operate and/or maintain the Collard Vine Trimmers read, understand, and sign the last page in either the English or Spanish Booklet.

SAFETY INSTRUCTIONS SIGN-OFF SHEET		
GROWER INFORMATION & SIGN-OFF SHEET		
Grower's Name:		
Address:		
City:	State:	Zip:
Signed For By:		
Printed Name:		
Date:	Phone #:	
DEALER INFORMATION & SIGN-OFF SHEET		
Dealer's Name:		
Address:		
City:	State:	Zip:
Signed For By:		
Printed Name:		
Date:		
VINE TRIMMER - Model No:	S/N:	