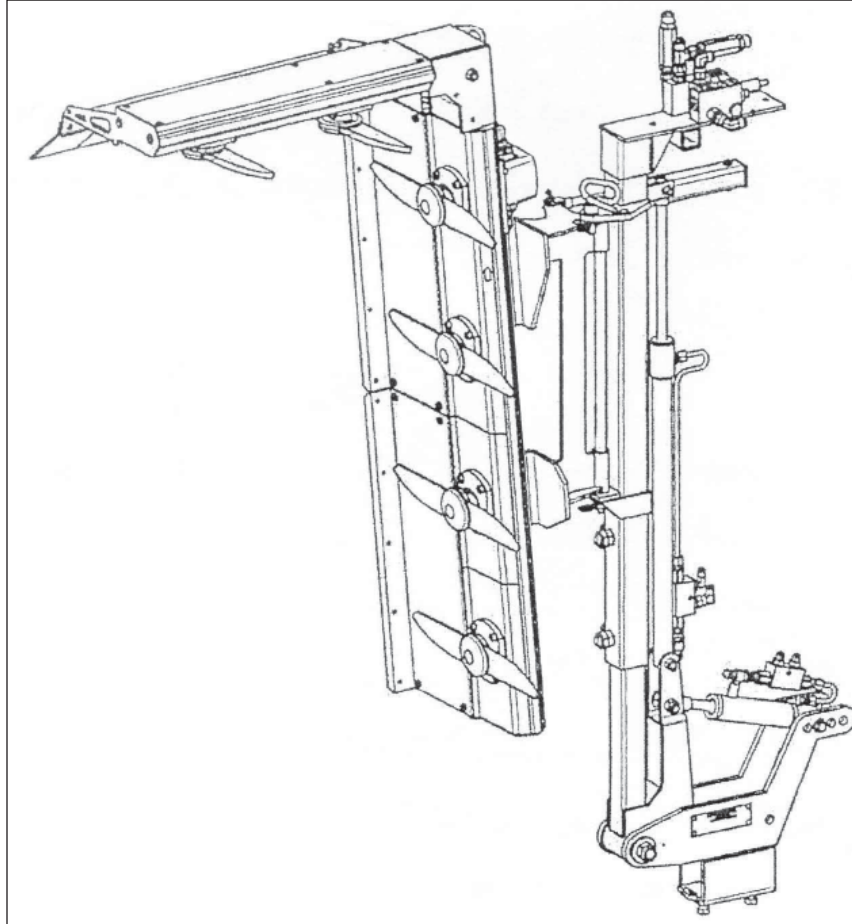




COLLARD[®]

VINE TRIMMERS



Parts Manual For P1100 - Code #0134 0400 P1100 - Code #0134 0500

Marketed by:



13477 Benson Ave. • Chino, CA • Ph: 909/548-4848 • Fax: 909/548-4747

TABLE OF CONTENTS

<u>SECTION</u>	<u>DESCRIPTION</u>	<u>PAGE</u>
1	Introduction	1
1.1	Operator's Responsibility	1
2	Spare Parts - Frames	2 - 13
2.1	51" Frame(PL 4030).....	2
2.2	63" Frame(PL 3911).....	3
2.3	Complete Frame(PL 3908).....	4-5
2.4	Hydraulic Block Kit(PL 3382).....	6
2.5	Hydraulic Block 3 Elements(PL 3329).....	7-8
2.6	Complete Angle Brake Assy(PL 4365).....	9
2.7	Hydraulic Kit For 0501 9441(PL 3391).....	10
2.8	Hydraulic Kit For 0501 9092(PL 3390).....	11
2.9	Cylinder DE 35 - 18(PL 5024).....	12
2.10	Complete Non Return Security Valve(PL 2986).....	13
3	Spare Parts - Cutting Elements	14 - 36
3.1	51" Cutting Element RH.....(PL 4560).....	14-15
3.2	4 & 5 Blade Cutting Elements.....(PL 3862).....	16
3.3	Cutting Element RH.....(PL 3864).....	17
3.4	Cutting Element RH 700mm.....(PL 3865).....	18
3.5	Complete Angle Return RH(PL 3860).....	19
3.6	Plastic Protection Kit.....(PL 3665).....	20
3.7	Complete Closing(PL 3542).....	21
3.8	Hydraulic Motor 10cc(PL 3539).....	22
3.9	Brg. Motor, Blade RH.....(PL 3557).....	23
3.10	Bearing Blade RH.....(PL 3556).....	24
3.11	Short Bearing Blade RH(PL 4562).....	25
3.12	Bearing, Blade Motor RH.....(PL 3541).....	26
3.13	Complete Bearing Blade RH.....(PL 3540).....	27

1 INTRODUCTION

Congratulations on your selection of a Collard Vine Trimmer.

HISTORY

The COLLARD family has been servicing grape growers for 5 generations. Andre Collard invented the first mechanical vine trimmer in 1962. Since that development COLLARD has made numerous improvements and continues to be the world leader in trimmers.

QUALITY CONTROL

Every stage in the production process is controlled to guarantee superior quality. After final assembly, each machine is run through a detailed test where everything is checked - rotation speed, operating pressure, hydraulic cylinders, flow rates, etc. All this is done to insure that every machine leaving the factory is in perfect working order.



1.1 OPERATOR'S RESPONSIBILITY

Safe, efficient and trouble free operation of your Vine Trimmer requires that you and anyone else who will be operating or maintaining the machine, read and understand the Safety, Installation, Operation, Maintenance, and Troubleshooting information contained within the Operator's Manual.

Keep this manual handy for frequent reference and to pass on to new operators or owners. Call your tractor dealer if you need assistance, information or additional copies of the manuals.

OPERATOR ORIENTATION - The directions left, right, front and rear, as mentioned throughout this manual, are as seen from the driver's seat and facing in the direction of travel.

NAME: _____

PURCHASED FROM: _____

DATE OF PURCHASE: _____

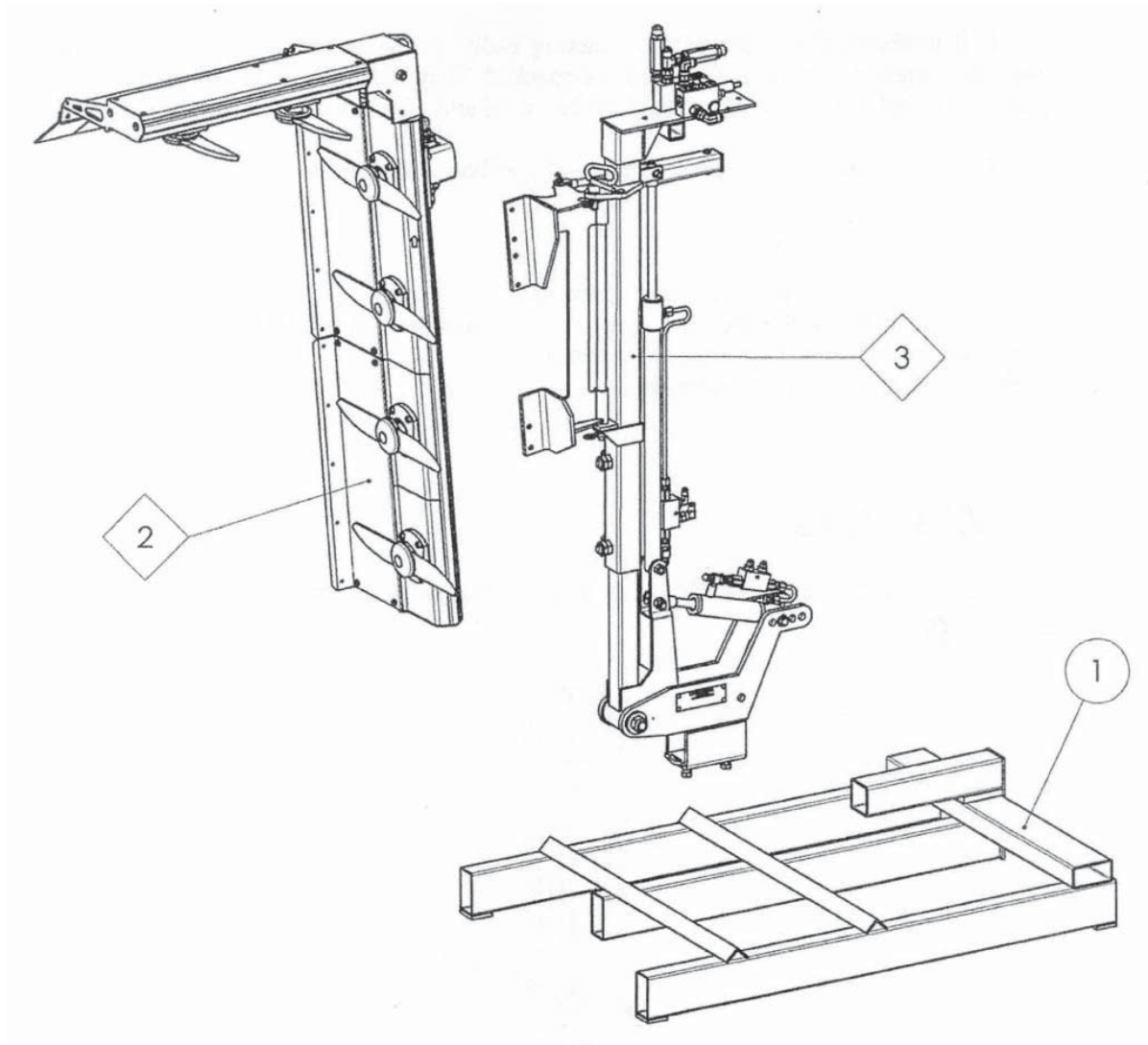
CODE NUMBER: _____

SERIAL NUMBER: _____

2 SPARE PARTS - FRAMES

2.1 51" FRAME - CODE 0134 0400

PL 4030

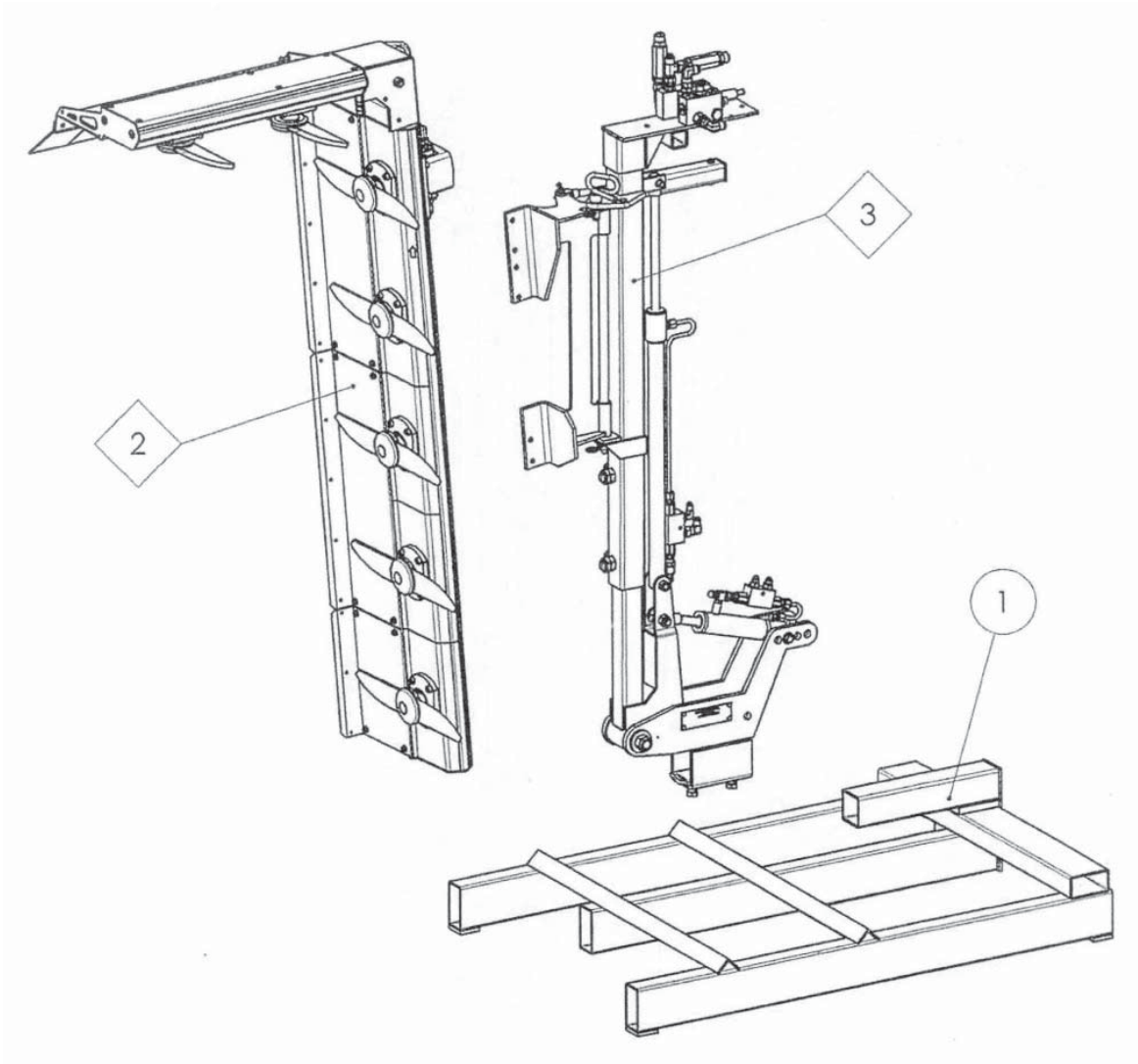


Ref.	Qty.	Part No.	Description	Assy.
1	1	00005890	Storage Support	
2	1	01340600	Cutting Element 51" (1.30m) RH	PL 3862 - Pg 16
3	1	01340404	Complete Frame P1100	PL 3908 - Pg 4

2 SPARE PARTS - FRAMES

2.2 63" FRAME - CODE 0134 0500

PL 3911

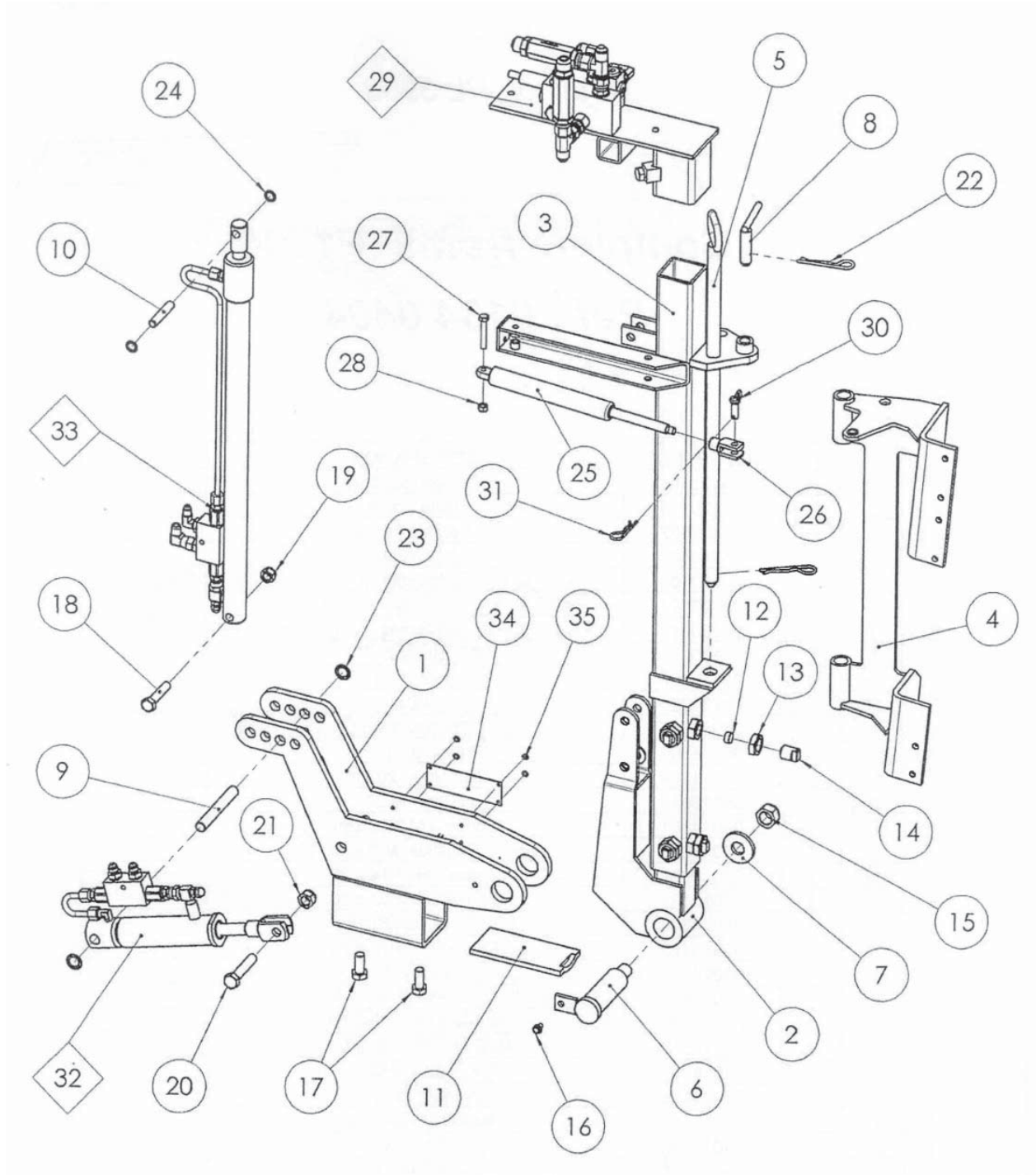


Ref.	Qty.	Part No.	Description	Assy.
1	1	00005890	Storage Support	
2	1	01340200	Cutting Element 63" (1.60m) RH	PL 3862 - Pg 16
3	1	01340404	Complete Frame P1100	PL 3908 - Pg 4

2 SPARE PARTS - FRAMES

2.3 COMPLETE FRAME - CODE 0134 0404

PL 3908



2 SPARE PARTS - FRAMES

2.3 COMPLETE FRAME (CONTINUED)

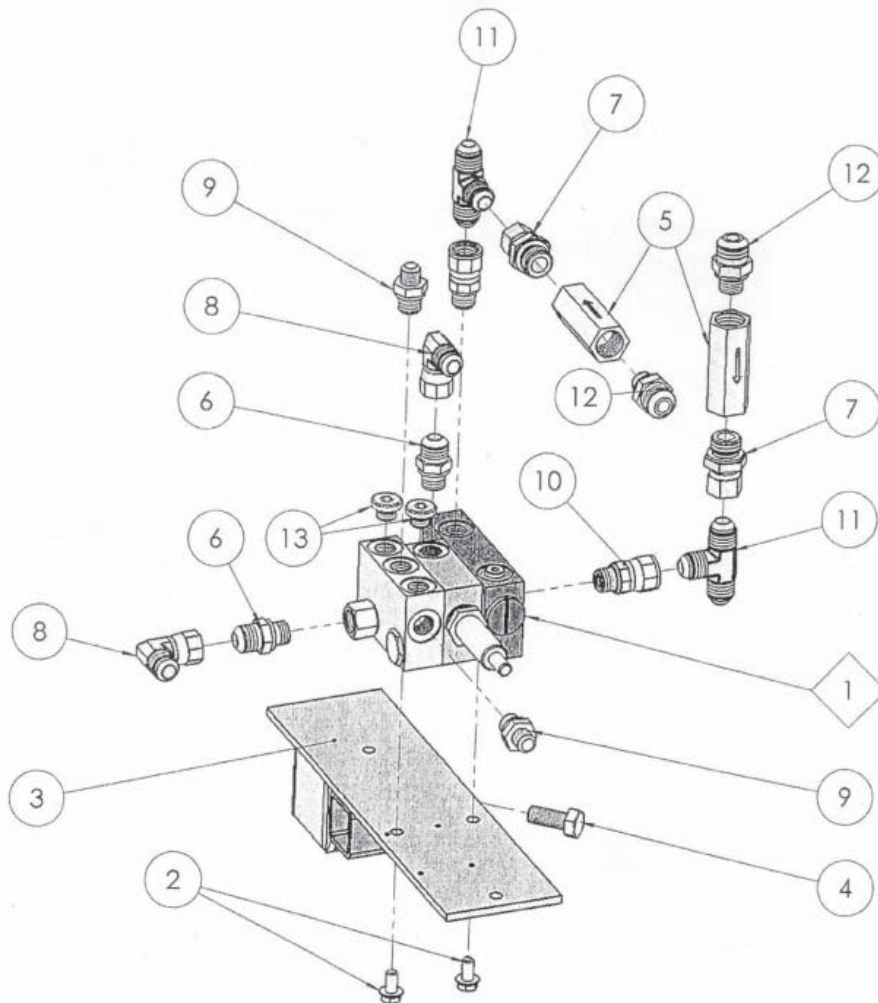
PL 3909

Ref.	Qty.	Part No.	Description	Assy.
1	1	00420104	Fixation Support	
2	1	00420115	Male Frame	
3	1	00420127	Female Frame	
4	1	01340401	Articulation	
5	1	00420106	Spindle	
6	1	00420101	Axle	
7	1	00100011	Washer	
8	1	00130091	Spindle	
9	1	00130067	Axle Ø16	
10	1	00731225	Axle	
11	1	05029511	Flat Blocking	
12	4	05014309	Plastic Plug Ø16	
13	4	05011208	Nut Hu M20 Zn	
14	4	05010814	Screw M20	
15	1	05014301	Locknut M20 x 250	
16	1	05011851	Screw Tensilok M6 x 12 Zn	
17	2	05010038	Screw TH M14 x 30	
18	1	05010131	Screw TH M12 x 60	
19	1	05014300	Locknut M12	
20	1	05010173	Screw TH M14 x 70	
21	1	05014305	Locknut M14	
22	2	05014052	Pin Ø4	
23	2	05014320	Washer Self Locking Ø16	
24	2	05014318	Washer Self Locking Ø12	
25	1	05016044	Gas Spring	
26	1	05029104	Cylinder Fasterner	
27	1	05010144	Screw TH M8 x 50	
28	1	05014306	Locknut M8	
29	1	00001808	Hydraulic Kit	PL 3382 - Pg 6
30	1	00420133	Axle	
31	1	05014053	Pin Ø3	
32	1	00001810	Hydraulic Kit For Cylinder 0501 9092	PL 3390 - Pg 11
33	1	00001811	Hydraulic Kit For Cylinder 0501 9441	PL 3391 - Pg 10
34	1	05016066	Identity Plate	
35	4	05011650	Pivot POP Ø4 x 8	

2 SPARE PARTS - FRAMES

2.4 HYDRAULIC BLOCK KIT - CODE 0000 1808

PL 3382

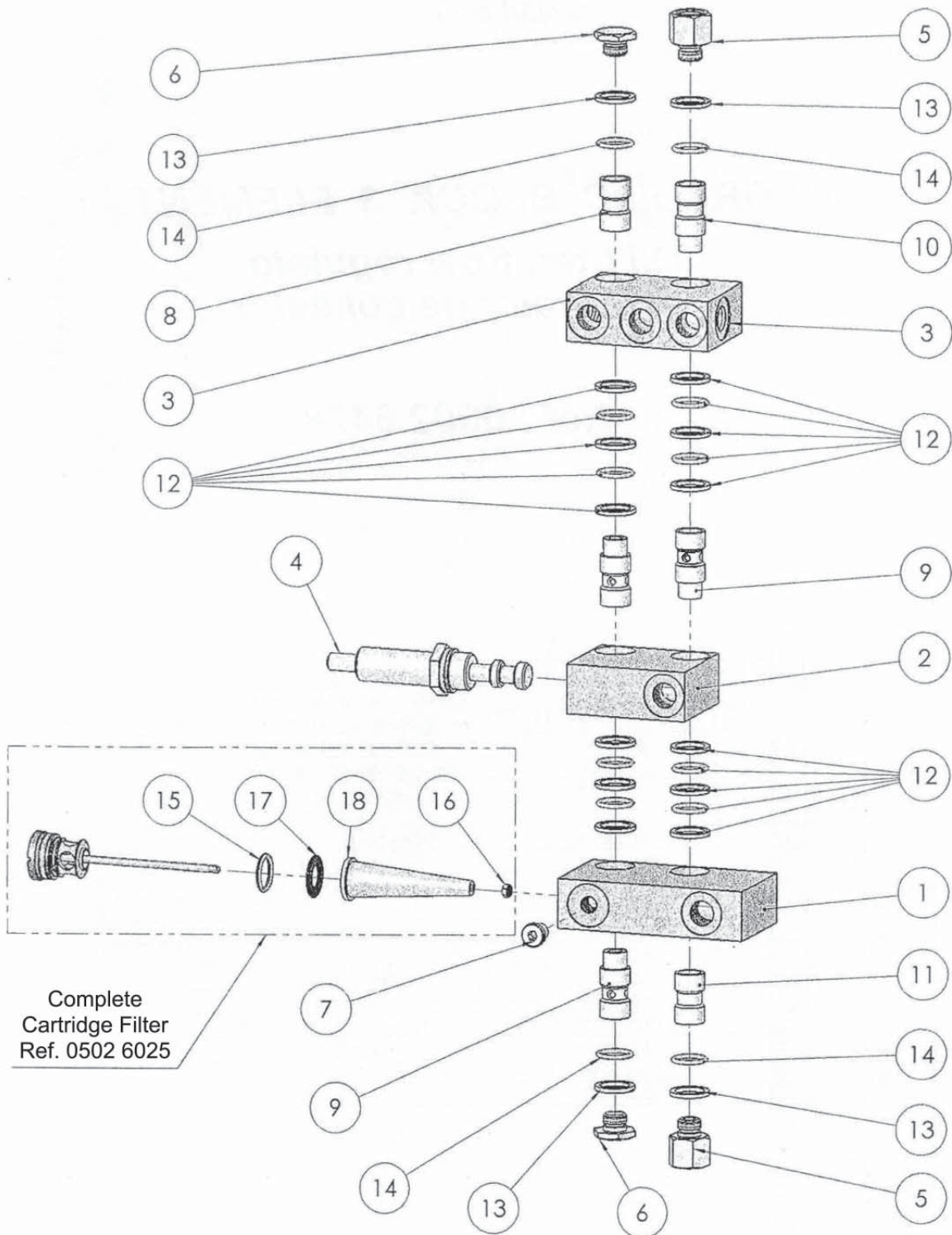


Ref.	Qty.	Part No.	Description	Assy.
1	1	05026478	Hydraulic Block	PL 3329 - Pg 7
2	2	05011877	Screw Tensilok M8 x 16	
3	1	05029682	Support Distributor	
4	1	05010040	Screw TH M12 x 30	
5	2	05023306	Anti-Fail Safety Valve	
6	2	05007811	Connection MJ 3/4 - 12 x 17 Cyl.	
7	2	05007809	Adapter FJ 3/4 - MG 1/2 Cyl.	
8	2	05006419	Elbow MJ 3/4 - FJ 3/4 90°	
9	2	05007812	Junction MJ 9/16 - 12 x 17 Cyl.	
10	2	05006220	Adapter FJ 3/4 MG 3/8	
11	2	05007312	Tee Egal MJ 3/4 x 3	
12	2	05007823	Union MJ 7/8 - 12 x 17 Cyl.	
13	3	05008669	Plug 12 x 17	

2 SPARE PARTS - FRAMES

2.5 HYDRAULIC BLOCK 3 ELEMENTS - CODE 0502 6478 Oil Filter, Flow Regulator & Drainage Collector

PL 3329



2 SPARE PARTS - FRAMES

2.5 HYD. BLOCK 3 ELEMENTS - CODE 0502 6478 (CONTINUED)

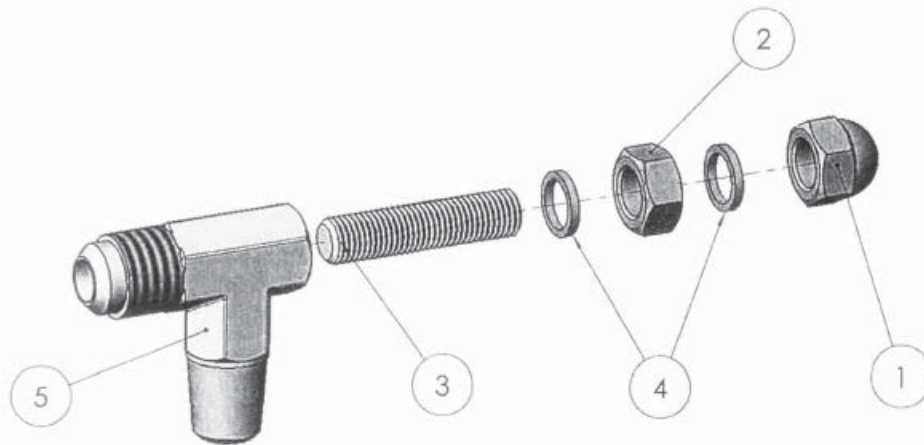
PL 3329

Ref.	Qty.	Part No.	Description	Assy.
1	1	05026464	Filtration Element (Without Cartridge)	
2	1	05026466	Flow Regulator Element (w/o Cartridge)	
3	1	05026467	Drainage Collector Element	
4	1	05026030	Flow Regulator Cartridge (25 Lpm)	
5	2	05007815	Adapter A30 MF G2	
6	2	05007107	Adapter A30B	
7	1	05008673	Screw Plug M10 x 1 101616	
8	1	05023203	Junction E 30 FFO	
9	3	05023161	Junction E 30 MF3	
10	1	05023159	Junction E 30 MF2	
11	1	05023162	Junction E 30 FF2	
12	4	05023163	Seal Kit	
13	4	05023184	Anti Extrusion Ring	
14	4	05001347	Toroidal Joint	
15	1	05001342	Toroidal Joint 20.29 x 2.62	
16	1	05014323	Locknut M4	
17	1	05002016	Joint Ø13.5 x 25 x 1	
18	1	05026037	Conical Filter	

2 SPARE PARTS - FRAMES

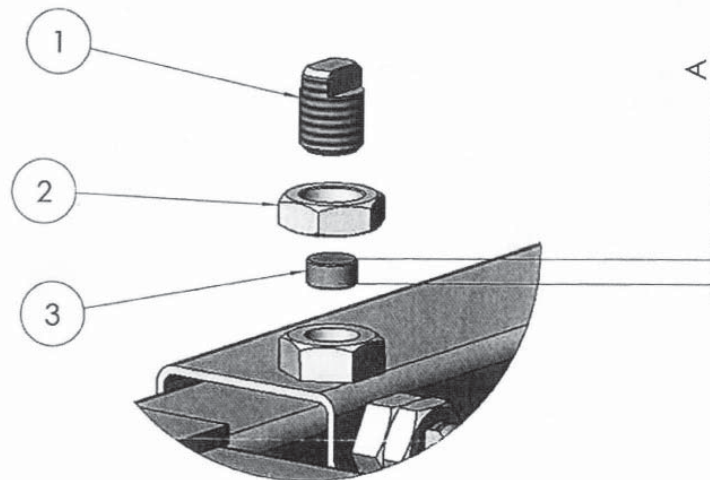
2.6 COMPLETE ANGLE BRAKE ASSY - CODE 0500 9086

PL 4365



Ref.	Qty.	Part No.	Description	Assy.
1	1	05011204	Nut M8	
2	1	05011206	Nut M8 Hu	
3	1	05010830	Screw STHC M8 x 35	
4	2	05002009	Joint Ø8.2 x 11.2 x 1	
5	1	05009081	Angle 9/16" JIC	

Adjustment of the feeding flow on cylinder



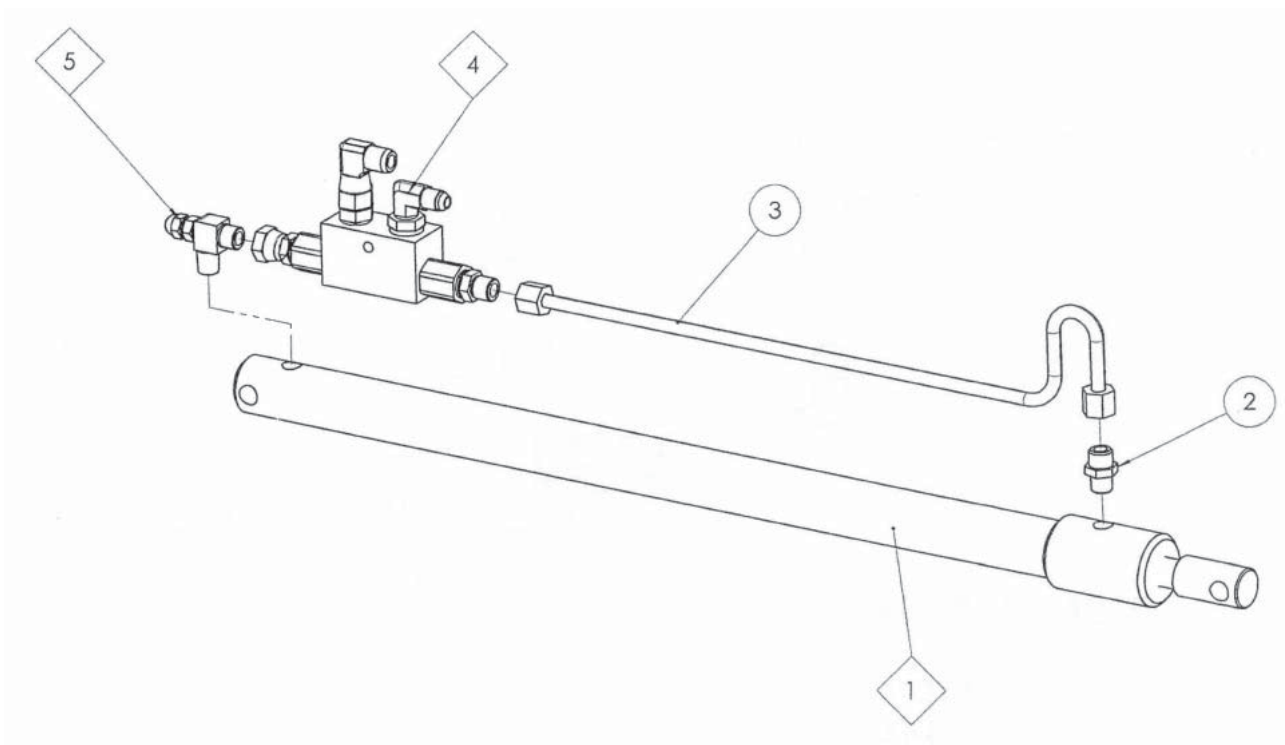
Ref.	Qty.	Part No.	Description	Dimension A
1	1	0501 0814	Screw M20	
2	1	0501 1208	Nut HM20 Zn	
3	1	0501 4315	Plastic Plug	4 mm
		0501 4309	Plastic Plug	8 mm
		0501 4316	Plastic Plug	12 mm
		0501 4314	Plastic Plug	16 mm

Adjustment of play on sliding tube

2 SPARE PARTS - FRAMES

2.7 HYDRAULIC KIT FOR 0501 9441 - CODE #0000 1811

PL 3391

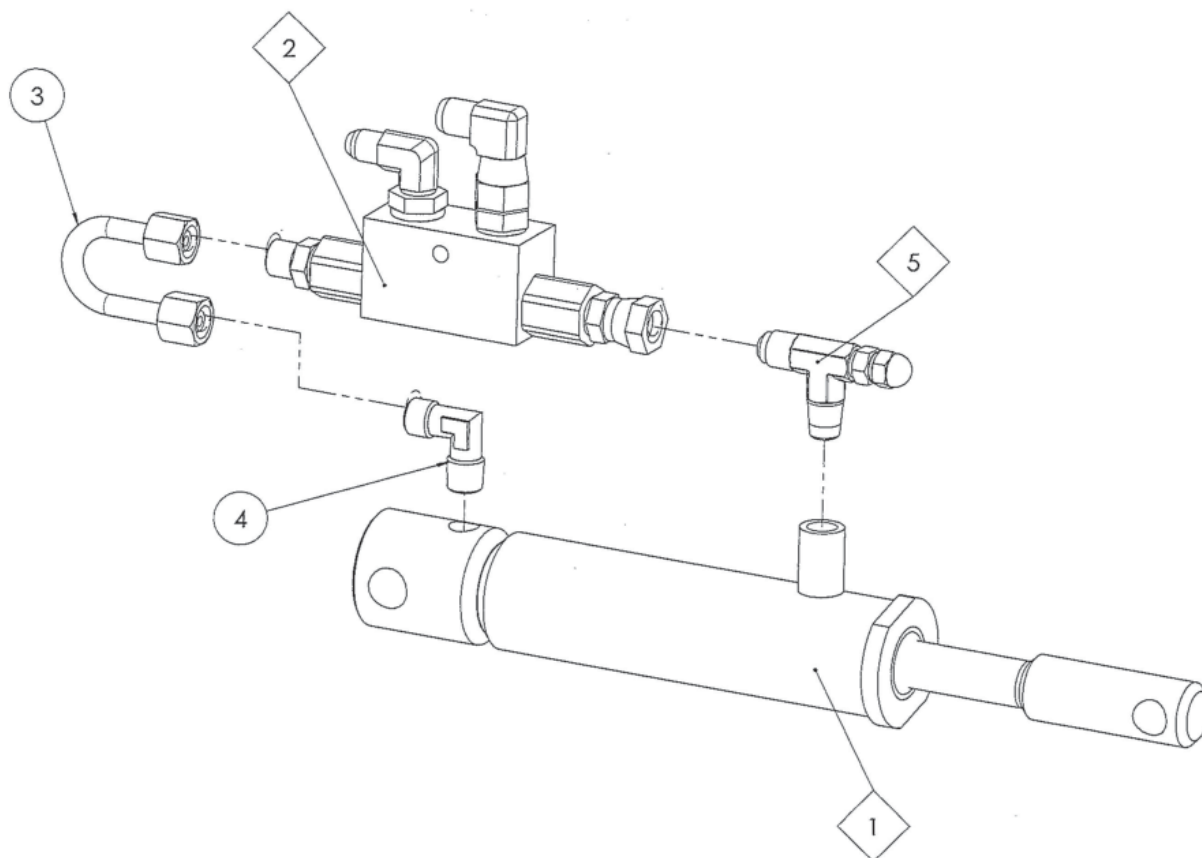


Ref.	Qty.	Part No.	Description	Assy.
1	1	05019441	Cylinder DE 25/18 Stroke 500 mm	
2	1	05007750	Union	
3	1	05019904	Hydraulic Tube	
4	1	00001322J	Non Return Security Valve	PL 2986 - Pg 13
5	1	05009030	Angle Elbow	

2 SPARE PARTS - FRAMES

2.8 HYDRAULIC KIT FOR 0501 9092 - CODE 0000 1810

PL 3390

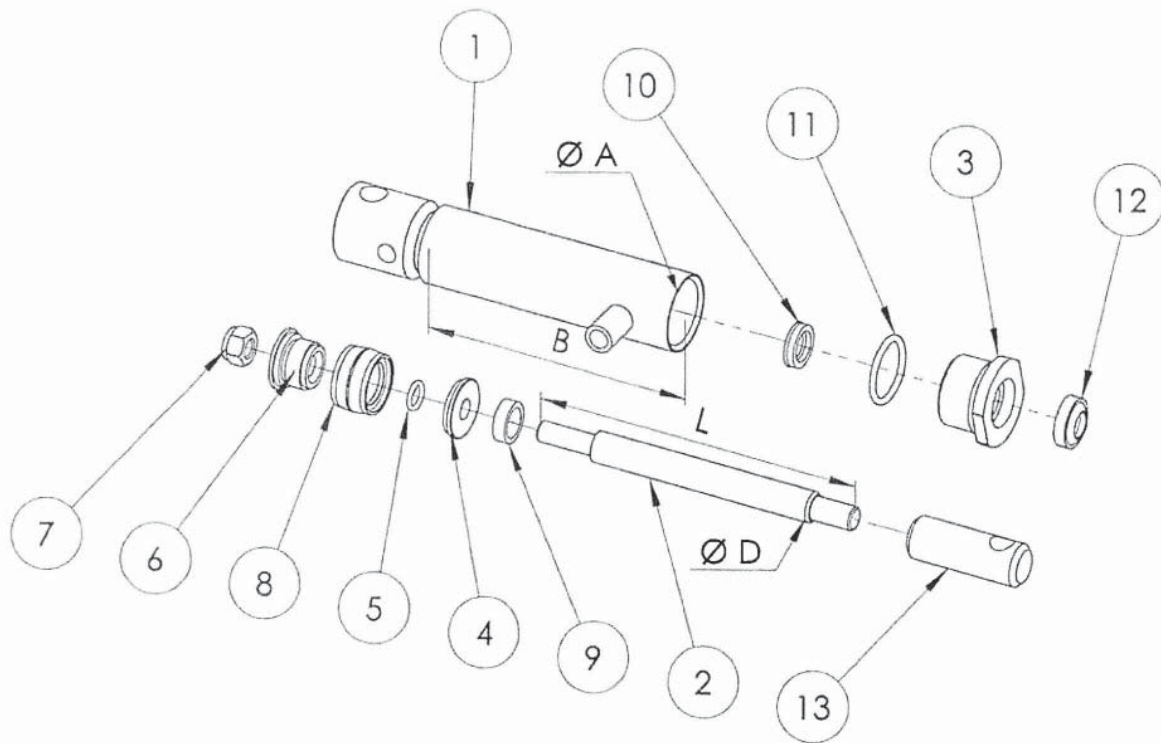


Ref.	Qty.	Part No.	Description	Assy.
1	1	05019092	Cylinder DE 35/18 Stroke 90 mm	PL 5024 - Pg 12
2	1	00001322J	Non Return Security Valve	PL 2986 - Pg 13
3	1	05019563	Hydraulic Tube	
4	1	05006551	Elbow	
5	1	05009086	Complete Angle Brake JIC	

2 SPARE PARTS - FRAMES

2.9 CYLINDER DE 35 - 18

PL 5024



Ref.	Qty.	Part No.	Description	Assy.
3	1	05019005	Threaded Base	
4	1	05019671	Flask	
5	1	05001301	O-Ring R10	
6	1	05019670	Half Piston	
7	1	05014300	Brake Nut M12	
8	1	05000041	Piston Joint	
9	1	05019004	Flange	
10	1	05000043	Joint	
11	1	05001307	O-Ring	
12	1	05001002	Joint	
13	1	05020119	Cap	

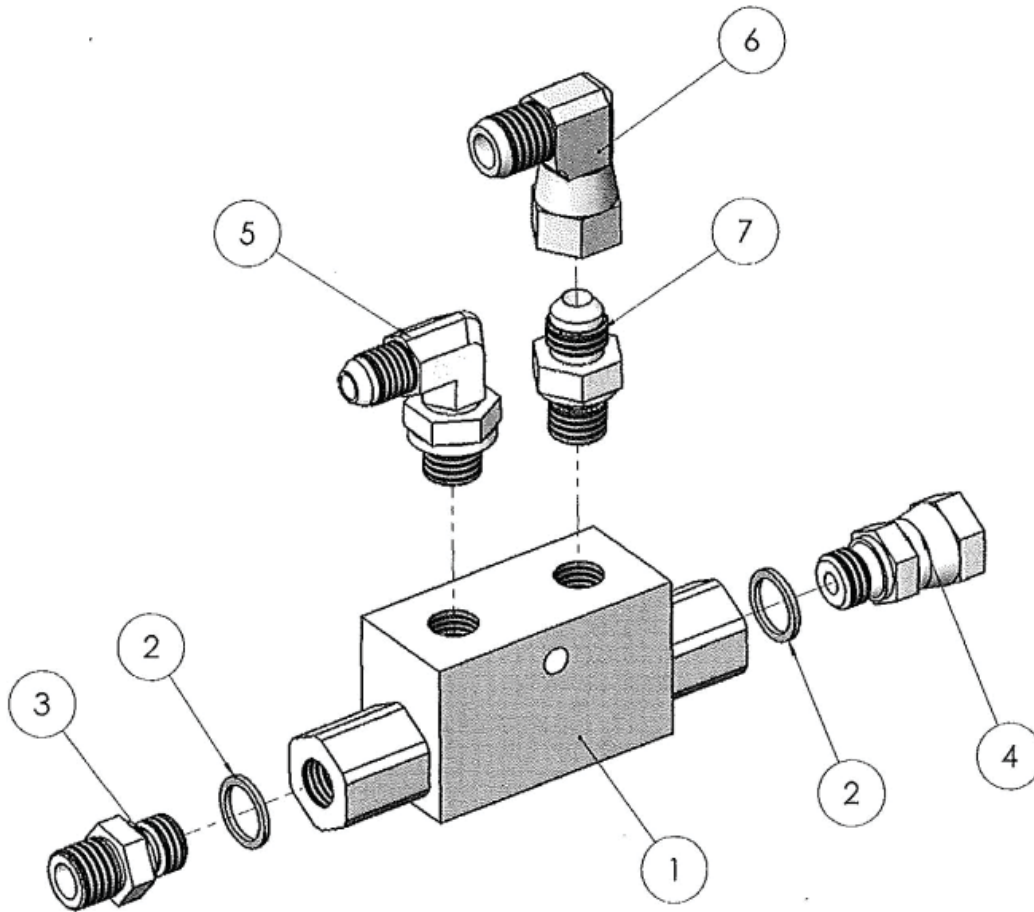
Dimensions in mm:

Cylinder:	Rod (2)	Body (1)	ØA	B	L	ØD	Stroke:
0501 9092	0501 9014	0501 9093	45	164	200	18	90

2 SPARE PARTS - FRAMES

2.10 COMPLETE NON RETURN SECURITY VALVE JIC - CODE 0000 1322J

PL 2986

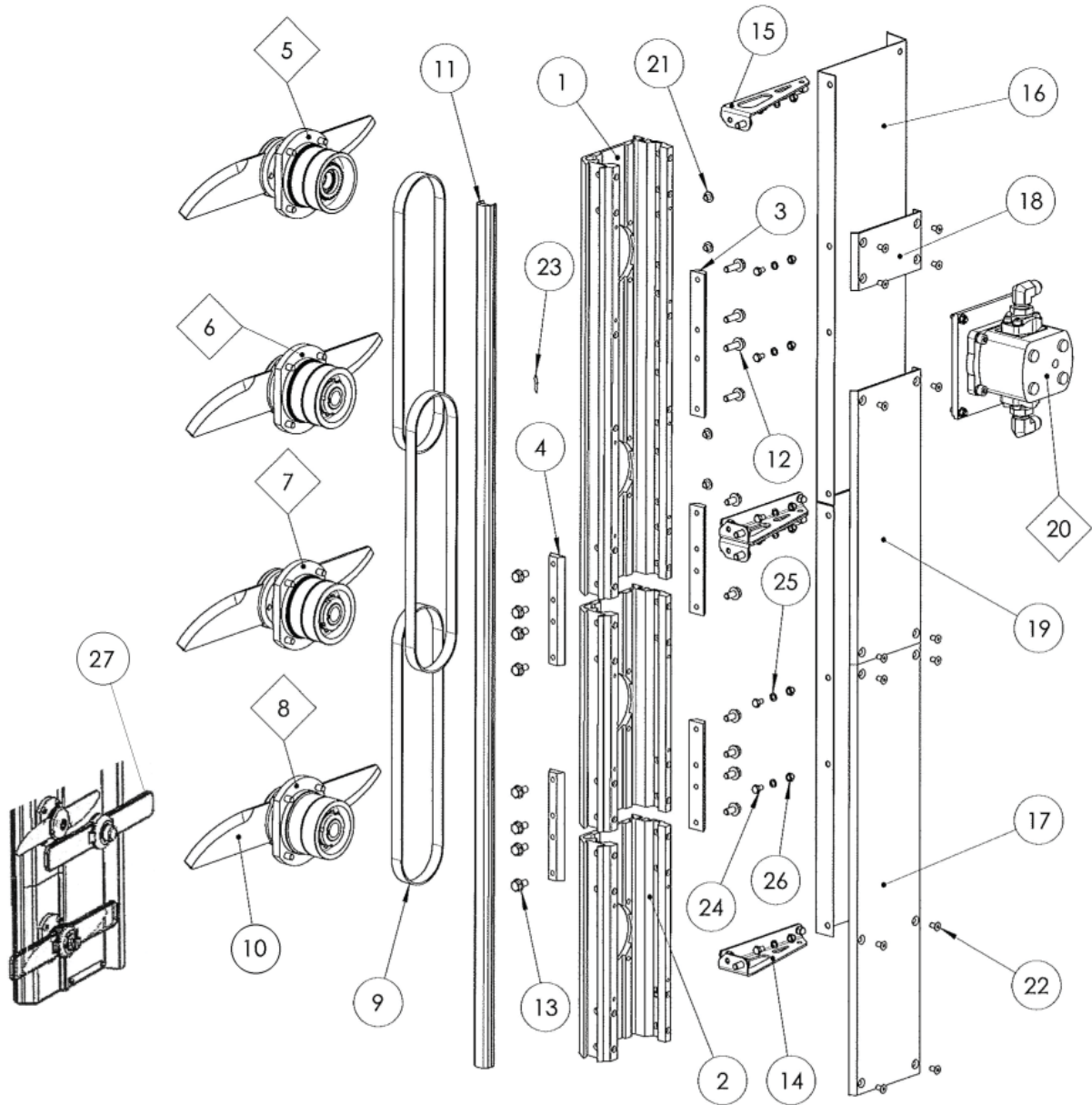


Ref.	Qty.	Part No.	Description	Assy.
1	1	05023307	Double Valve	
2	1	05002006	Joint	
3	1	05007767	Junction	
4	1	05007814	Adapter FJ 9/16" - 1/4" Gas Cyl.	
5	1	05006577	Elbow MJ 9/16 - MG 1/4 90°	
6	1	05006420	Elbow MJ 9/16 FJ 9/16 90°	
7	1	05007816	Junction MJ 9/16 MG 8/13	

3 SPARE PARTS - ELEMENTS

3.1 CUTTING ELEMENT 51" RH - CODE 0000 2344 Cutting Height - 51" (1.30m) Motor 10 cm³ in Position 1

PL 4560



3 SPARE PARTS - ELEMENTS

3.1 CUTTING ELEMENT 51" RH - (CONTINUED)

PL 4561

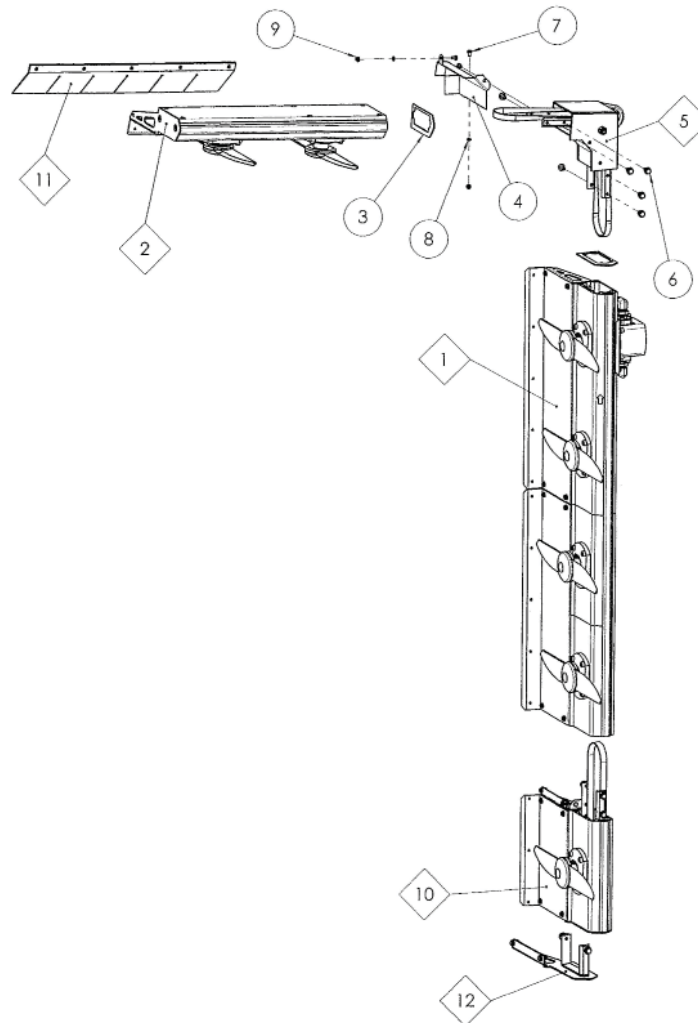
Cutting Height - 51" (1.30m) Motor 10 cm³ in Position 1

Ref.	Qty.	Part No.	Description	Assy.
1	1	01050045	Aluminum Section 600 mm	
2	2	01050047	Aluminum Section 300 mm	
3	1	00420016	Junction	
4	4	01050077	Junction	
5	1	01050126	Complete Long Bearing f/Motor Blade RH	PL 3541 - Pg 26
6	1	01050128	Complete Short Bearing f/Blade RH	PL 3540 - Pg 27
7	1	01050130	Complete Long Bearing f/Blade RH	PL 3540 - Pg 27
8	1	01050320	Complete Short Bearing f/Blade RH	PL 4562 - Pg 25
9	3	05028596	Belt S 250 17 x 842	
10	4	05030077	S.S. Blade Ø400 RH	
11	1	01221200	Leading Edge 1200 mm	
12	4	05011876	Screw Tensilok M8 x 25 Zn	
13	14	05011877	Screw Tensilok M8 x 16	
14	2	01050008	Case Reinforcement (with screws) LH	
15	2	01050009	Case Reinforcement (with screws) RH	
16	2	01050151	Blade Case 600 mm	
17	1	01050095	Cover 600 mm	
18	1	01050074	Cover 80 mm	
19	1	01050091	Cover 380 mm	
20	1	01050131	Complete Motor 10 cc	PL 3539 - Pg 22
21	5	05017891	Plastic Obturator	
22	14	05010537	Screw FHC M6 x 12	
23	1	05016072	Adhesive Sticker	
24	8	05010020	Screw TH M6 x10	
25	8	05015318	Washer W6	
26	8	05011234	Nut M6	
27	4	05030600	Plastic Blade Guard	

3 SPARE PARTS - ELEMENTS

3.2 4 & 5 BLADE CUTTING ELEMENTS - CODE 0134 0200/0600

PL 3862

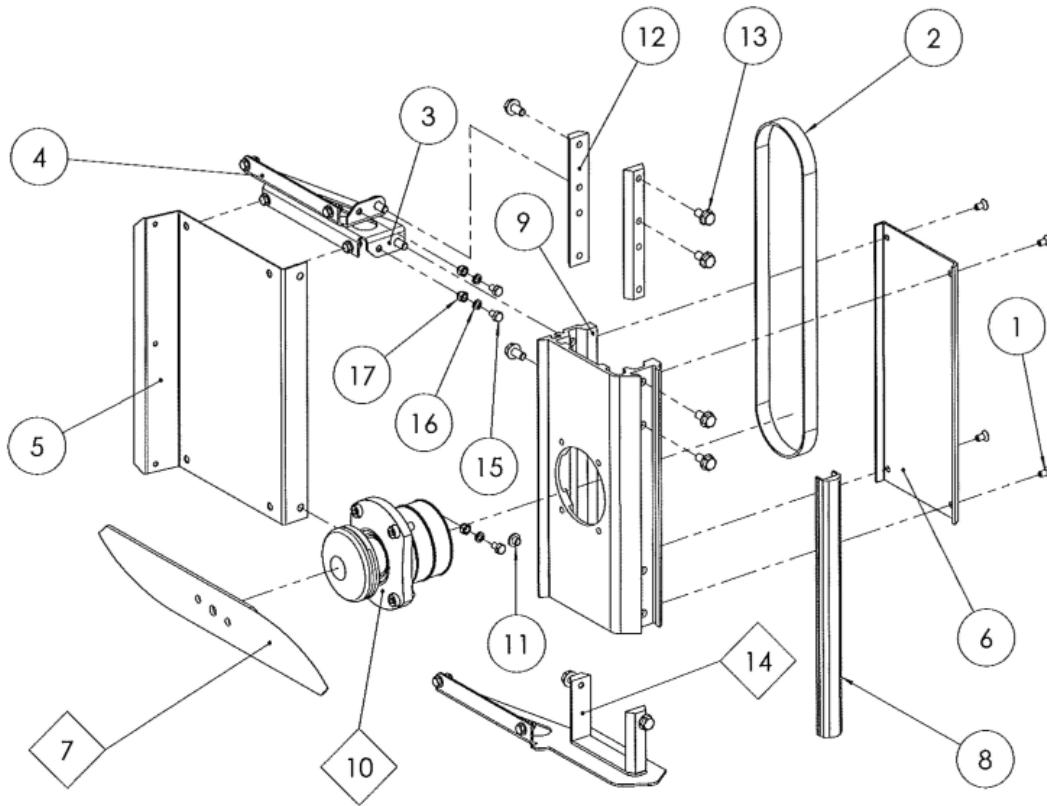


Ref.	Qty.	Part No.	Description	Assy.
1	1	00002112	Cutting Element - 4 Blades 51" (1.3m)	PL 4560 - Pg 14
2	1	00002092	Top Cutting Element - 2 Blades 27.5" (.70m)	PL 3865 - Pg 18
3	2	00940222	Protection Plug	
4	1	00940109	Case For Angle Return Element	
5	1	00940110	Complete Angle Return Element RH	PL 3860 - Pg 19
6	6	05011877	Screw Tensilok M8 x 16	
7	3	05010020	Screw TH M6 x 10	
8	2	05015318	Washer W6	
9	2	05011234	Nut M6	
10	1	00002080	Cutting Element - 1 Blade 15.7" (.40m)	PL 3864 - Pg 17
11	1	00002077	Plastic Protection Kit (600mm)	PL 3665 - Pg 20
12	1	01050018	Complete Closing With Screws	PL 3542 - Pg 21

3 SPARE PARTS - ELEMENTS

3.3 CUTTING ELEMENT RH - CODE 0000 2080

PL 3864

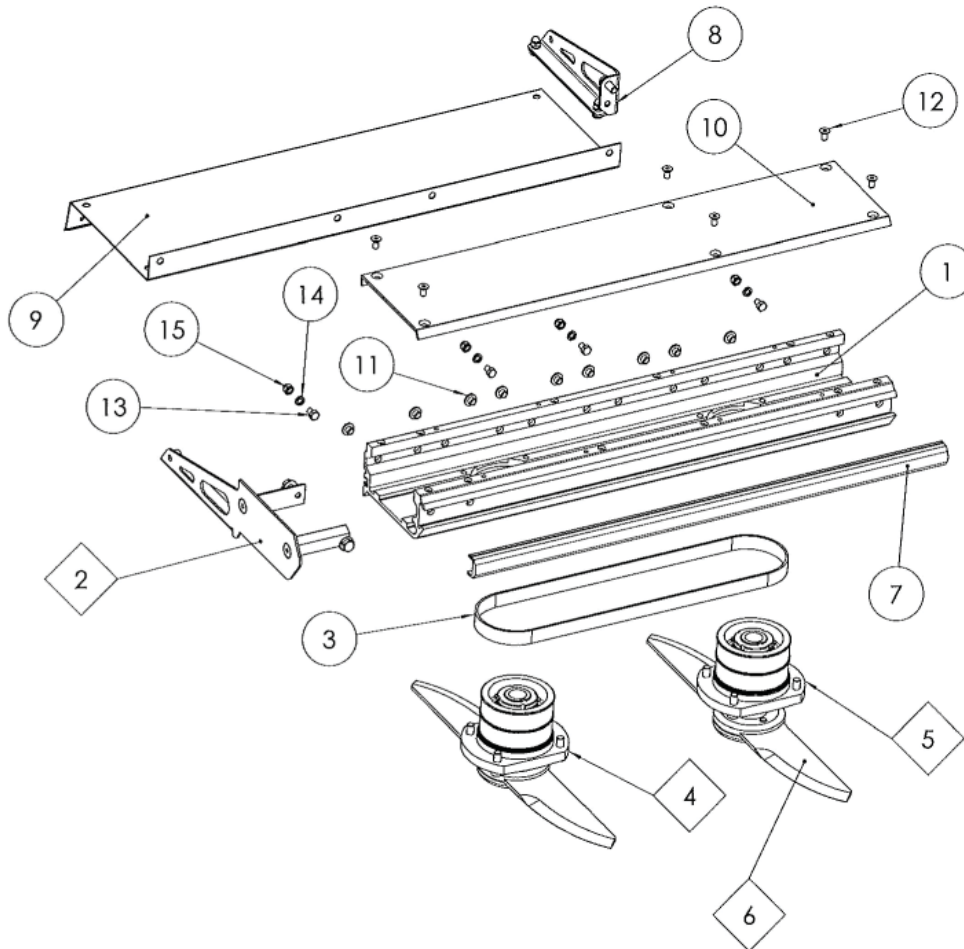


Ref.	Qty.	Part No.	Description	Assy.
1	4	05010537	Screw FHC M6 x 12	
2	1	05028596	Belt S 250 17 x 842	
3	1	01050009	Case Reinforcement (with screws) RH	
4	1	01050008	Case Reinforcement (with screws) LH	
5	1	01050011	Blade Case - 300mm	
6	1	01050092	Cover 300mm	
7	1	05030171	S.S. Blade Ø400 RH	
8	1	01220300	Leading Edge 300mm	
9	1	01050047	Aluminum Section 300mm	
10	1	01050130	Complete Long Bearing For Blade RH	PL 3540 - Pg 27
11	1	05017891	Plastic Obturator	
12	2	01050077	Junction	
13	6	05011877	Screw Tensilok M8 x 16	
14	1	01050018	Complete Closing With Screws	PL 3542 - Pg 21
15	3	05010020	Screw TH M6 x 10	
16	3	05015318	Washer W6	
17	3	05011234	Nut M6	

3 SPARE PARTS - ELEMENTS

3.4 CUTTING ELEMENT RH 700MM - CODE 0000 2092

PL 3865

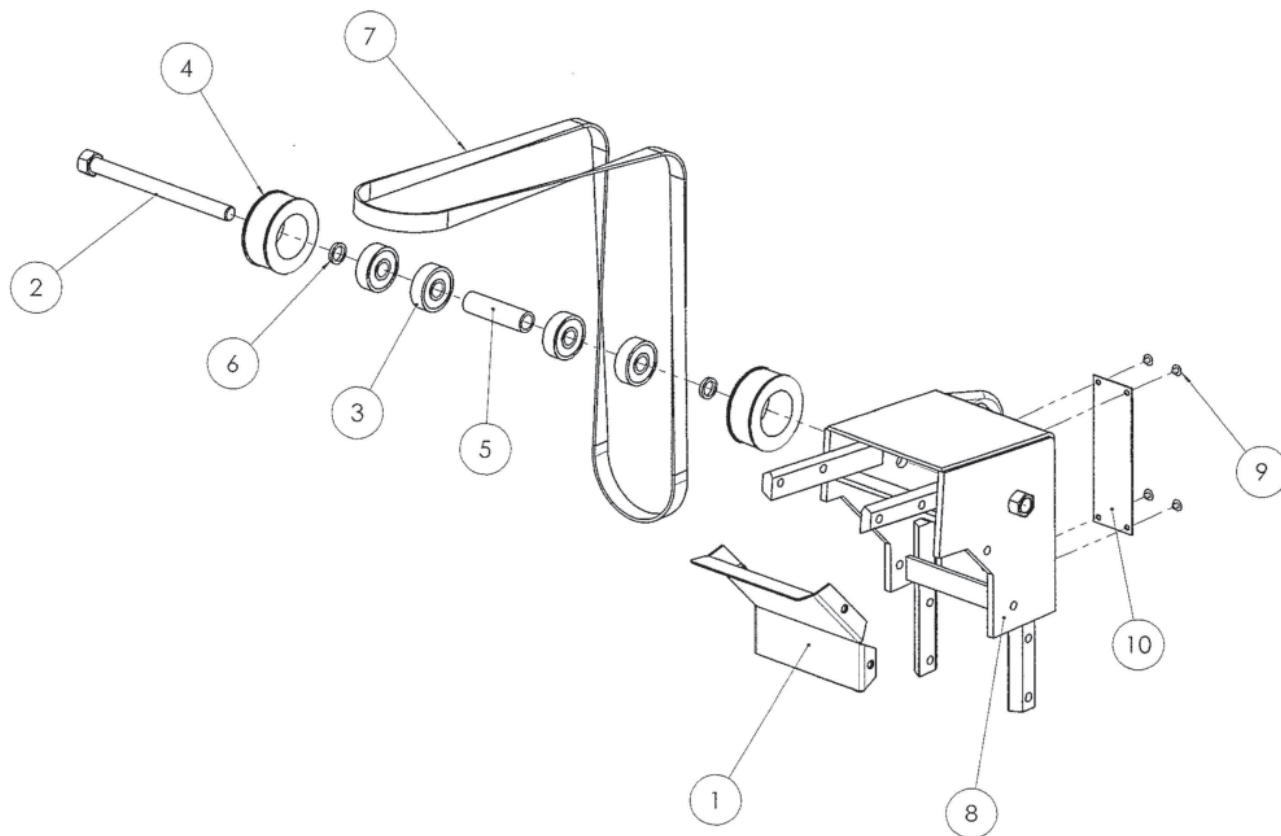


Ref.	Qty.	Part No.	Description	Assy.
1	1	01050045	Aluminum Section 600mm	
2	1	01050019	Complete Closing With Screws	PL 3542 - Pg 21
3	1	05028596	Belt S 250 17 x 842	
4	1	01050128	Complete Short Bearing For Blade RH	PL 3540 - Pg 27
5	1	01050130	Complete Long Bearing For Blade RH	PL 3540 - Pg 27
6	2	05030171	S.S. Blade Ø400 RH	
7	1	01220600	Leading Edge 600mm	
8	1	01050008	Case Reinforcement (with screws) LH	
9	1	01050151	Blade Case 600mm	
10	1	01050095	Cover 650mm	
11	9	05017891	Plastic Obturator	
12	6	05010537	Screw FHC M6 x 12	
13	4	05010020	Screw TH M6 x 10	
14	4	05015318	Washer W6	
15	4	05011234	Nut M6	

3 SPARE PARTS - ELEMENTS

3.5 COMPLETE ANGLE RETURN RH - CODE 0094 0110

PL 3860

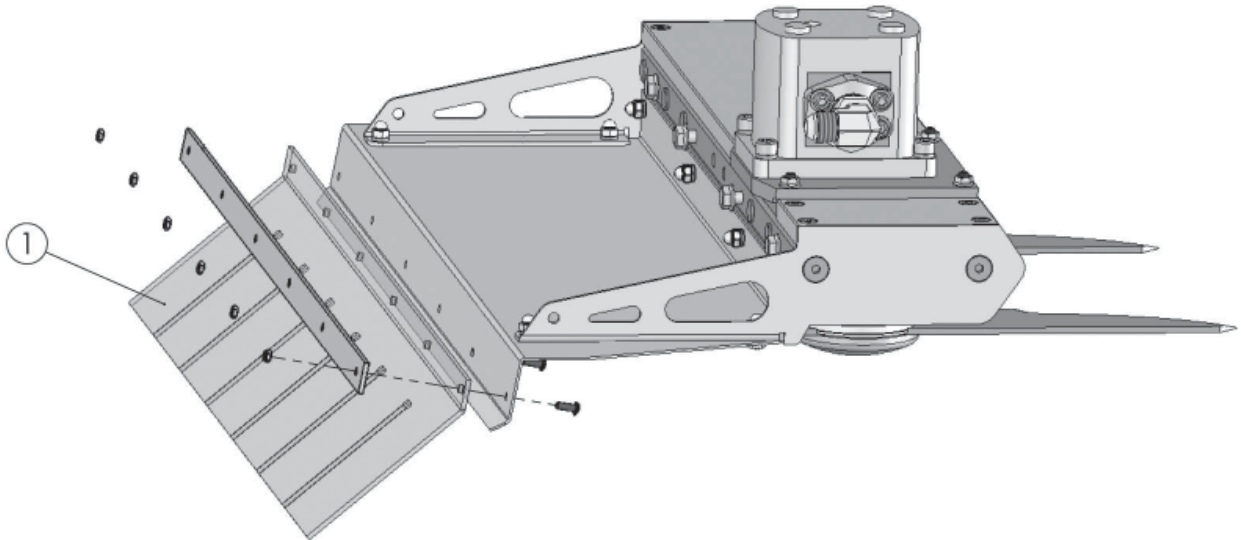


Ref.	Qty.	Part No.	Description	Assy.
1	1	00940106	Angle Case	
2	1	00420052	Bearing Axle	
3	4	05003028	Bearing	
4	2	00420132	Pulley	
5	1	00940104	Long Cross Bar	
6	2	00940107	Cross Bar	
7	1	05028600	Angle Return Belt	
8	1	00940101 BIS	Counter Angle	
9	4	05011650	Rivet POP Ø4 x 8	
10	1	05016066	Identity Plate	

3 SPARE PARTS - ELEMENTS

3.6 PLASTIC PROTECTION KIT - CODE 0000 2077

PL 3665

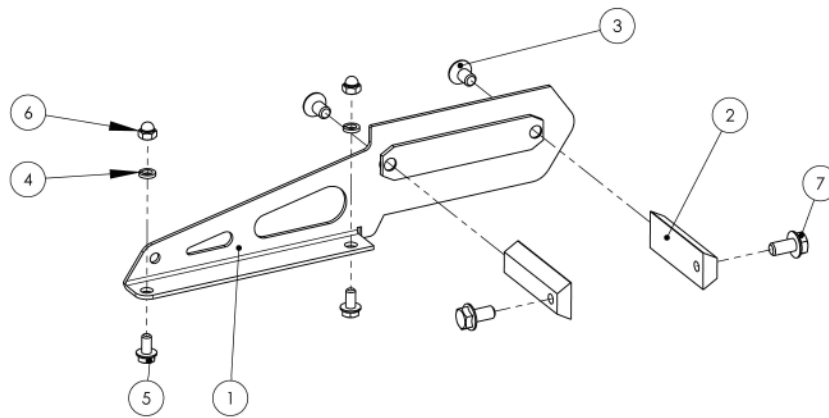


Ref.	Qty.	Part No.	Description
	1	0000 2077	Complete Kit Consisting of: 1 ea. Plastic Protection 1 ea. Fixation Plate 5 ea. Bolts M4 x 10 5 ea. Nuts M4
1	1	0105 0170	Replacement Plastic Only

3 SPARE PARTS - ELEMENTS

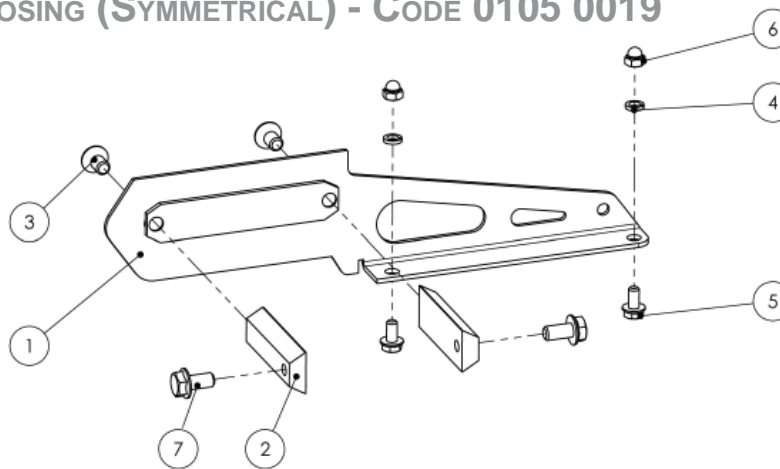
3.7 COMPLETE CLOSING - CODE 0105 0018

PL 3542



Ref.	Qty.	Part No.	Description	Assy.
1	1	01050017	Closing	
2	2	01050015	Link Part	
3	2	05010501	Screw FHC M8 x 15	
4	2	05015318	Washer W6	
5	2	05011851	Screw Tensilok M6 x 12 Zn	
6	2	05011234	Nut M6	
7	2	05011877	Screw Tensilok M8 x 16	

COMPLETE CLOSING (SYMMETRICAL) - CODE 0105 0019

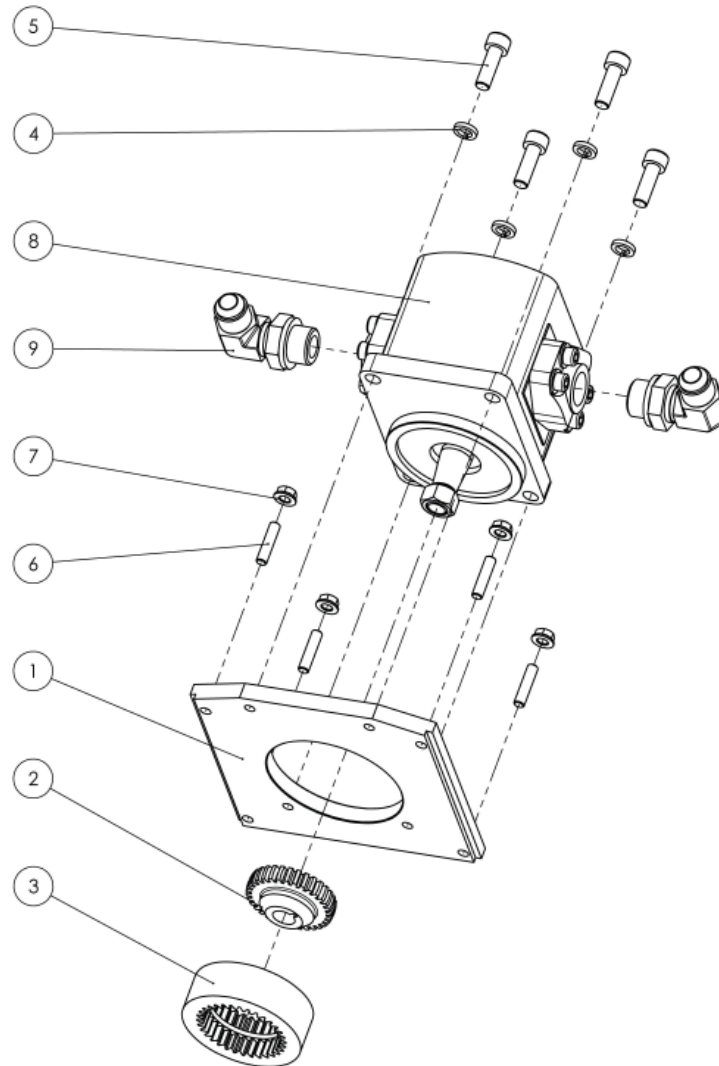


Ref.	Qty.	Part No.	Description	Assy.
1	1	01050017 BIS	Closing (BIS)	
2	2	01050015	Link Part	
3	2	05010501	Screw FHC M8 x 15	
4	2	05015318	Washer W6	
5	2	05011851	Screw Tensilok M6 x 12 Zn	
6	2	05011234	Nut M6	
7	2	05011877	Screw Tensilok M8 x 16	

3 SPARE PARTS - ELEMENTS

3.8 HYDRAULIC MOTOR 10CC - CODE 0105 0131

PL 3539

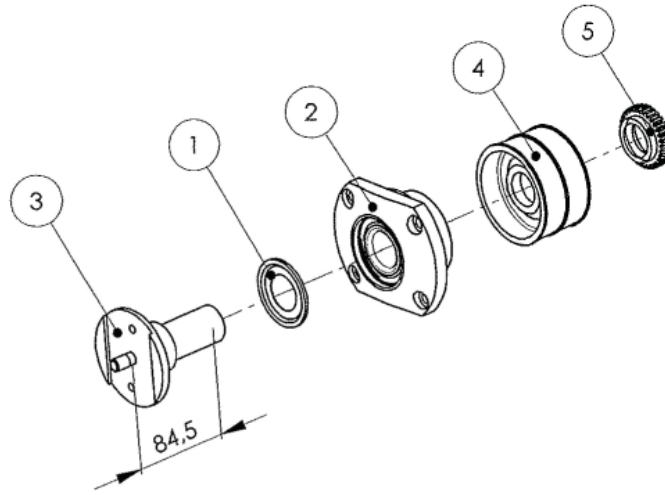


Ref.	Qty.	Part No.	Description	Assy.
1	1	01050039	Motor Plate	
2	1	01050021	Pinion With Cone	
3	1	01050024	Coupling	
4	4	05015317	Washer W8	
5	4	05010903	Screw CHC M8 x 25	
6	4	05011659	Gudgeon M6 x 25	
7	4	05011215	Nut Tensilok M6 Zn	
8	1	05021058	Hydraulic Motor 10 cm ³	
9	2	05006578	Angle MJ 3/4 - MG 1/2 Cyl. With Counter Nut	

3 SPARE PARTS - ELEMENTS

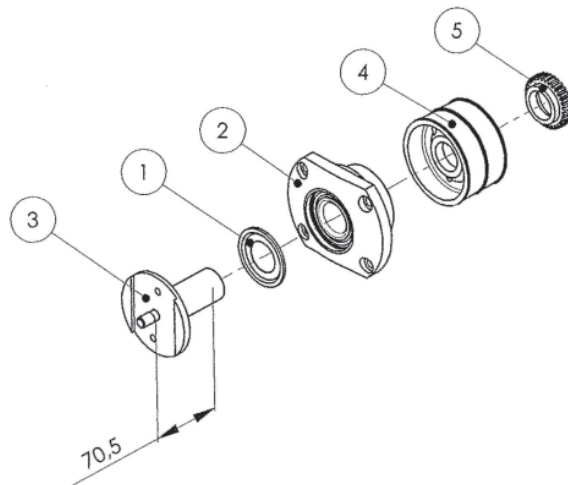
3.9 LONG BEARING MOTOR, BLADE RH - CODE 0105 0068

PL 3557



Ref.	Qty.	Part No.	Description
1	1	05000038	Ring NILOS
2	1	01050064	Bearing
3	1	01050058	Long Shaft Motor, Blade RH
4	1	01050023	Motor Pulley
5	1	01050022	Threaded Nut On Right

SHORT BEARING MOTOR, BLADE RH - CODE 0105 0066

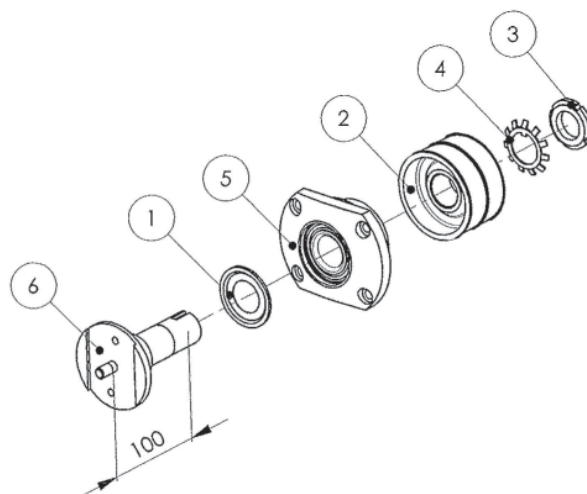


Ref.	Qty.	Part No.	Description
1	1	05000038	Ring NILOS
2	1	01050064	Bearing
3	1	01050056	Short Shaft Motor, Blade RH
4	1	01050023	Motor Pulley
5	1	01050022	Threaded Nut On Right

3 SPARE PARTS - ELEMENTS

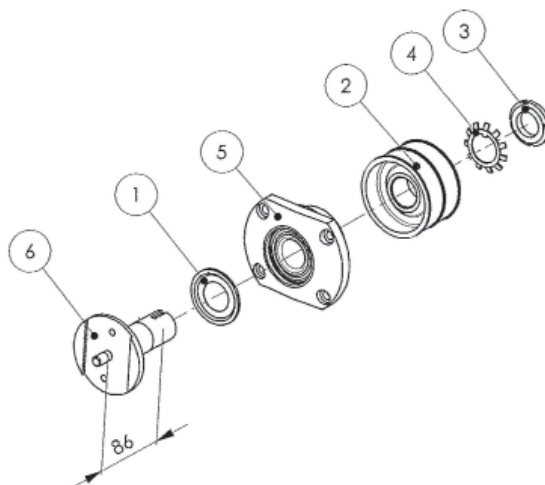
3.10 LONG BEARING BLADE RH - CODE 0105 0072

PL 3556



Ref.	Qty.	Part No.	Description
1	1	05000038	Ring NILOS
2	1	01050025	Pulley
3	1	05005206	Nut KM6
4	1	05005256	Washer MB 6
5	1	01050064	Bearing
6	1	01050062	Long Shaft Blade RH

SHORT BEARING BLADE RH - CODE 0105 0070

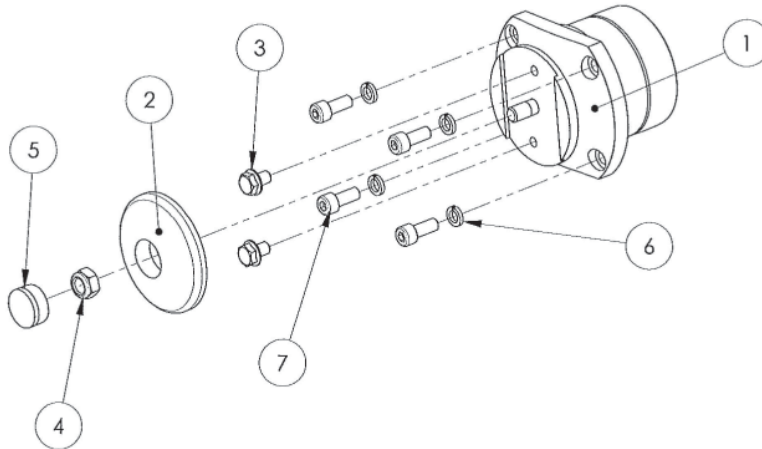


Ref.	Qty.	Part No.	Description
1	1	05000038	Ring NILOS
2	1	01050025	Pulley
3	1	05005206	Nut KM6
4	1	05005256	Washer MB 6
5	1	01050064	Bearing
6	1	01050060	Short Shaft Blade RH

3 SPARE PARTS - ELEMENTS

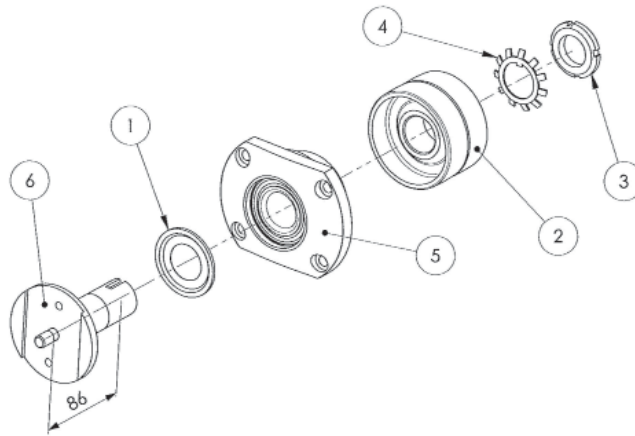
3.11 COMPLETE SHORT BEARING BLADE RH - CODE 0105 0320

PL 4562



Ref.	Qty.	Part No.	Description
1	1	01050316	Short Bearing Blade RH
2	1	01050031	Cup
3	2	05011861	Screw Tensilok M8 x 12 Zn
4	1	05014311	Locknut M10
5	1	05017926	Cap Ø26
6	4	05015317	Washer W8
7	4	05010902	Screw CHC M8 x 20

SHORT BEARING BLADE RH - CODE 0105 0316

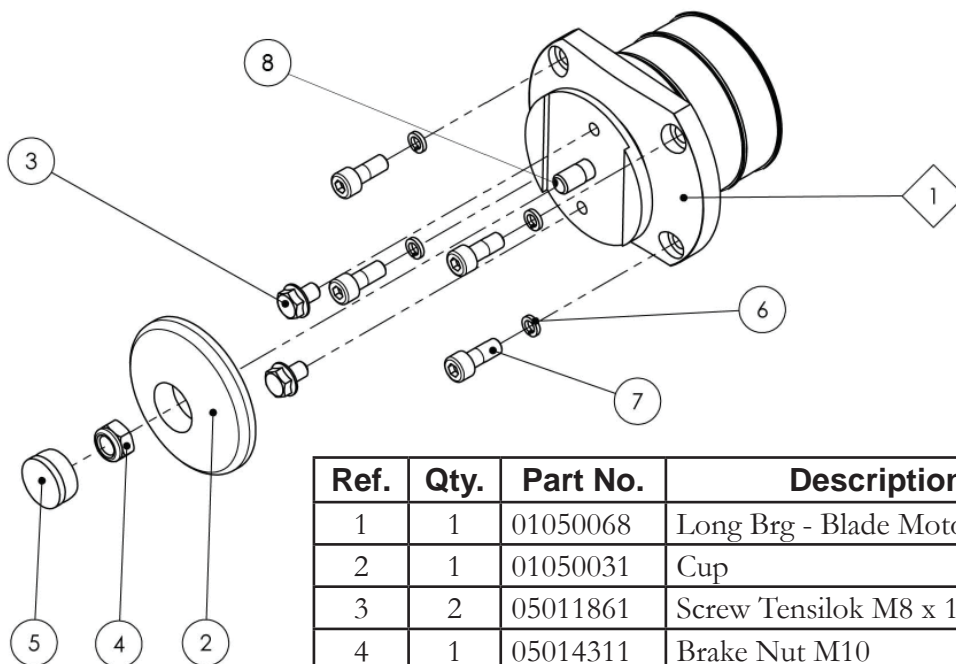


Ref.	Qty.	Part No.	Description
1	1	05000038	Ring NILOS
2	1	01050310	Pulley
3	1	05005206	Nut KM6
4	1	05005256	Washer MB6
5	1	01050064	Bearing
6	1	01050060	Short Shaft Blade RH

3 SPARE PARTS - ELEMENTS

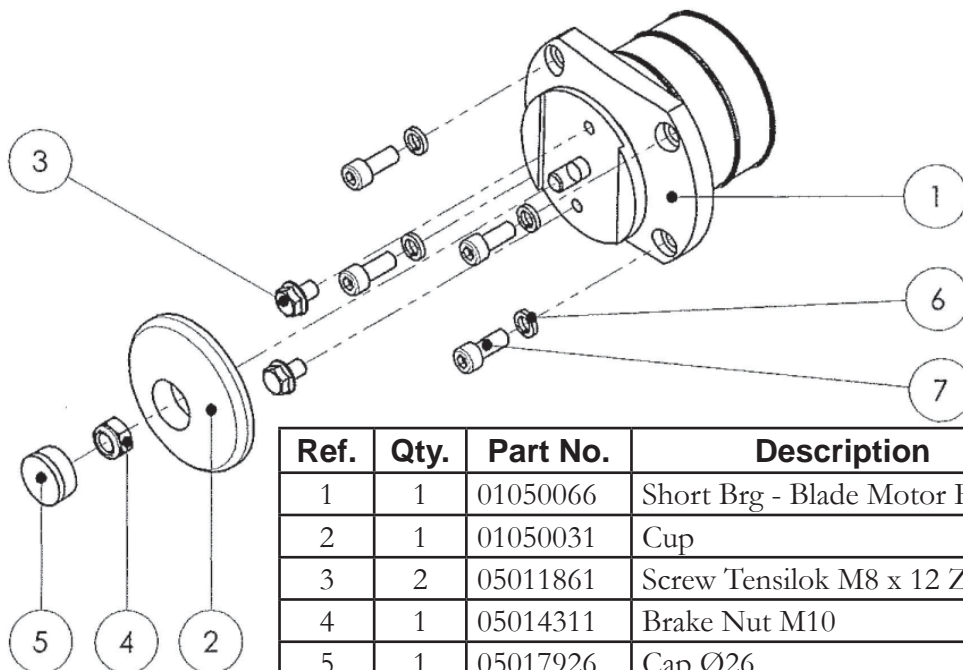
3.12 COMPLETE LONG BRG - BLADE MOTOR RH - CODE 0105 0126

PL 3541



Ref.	Qty.	Part No.	Description	Assy.
1	1	01050068	Long Brg - Blade Motor RH	PL 3557 - Pg 23
2	1	01050031	Cup	
3	2	05011861	Screw Tensilok M8 x 12 Zn	
4	1	05014311	Brake Nut M10	
5	1	05017926	Cap Ø26	
6	4	05015317	Washer W8	
7	4	05010902	Screw CHC M8 x 20	

COMPLETE SHORT BEARING - BLADE MOTOR RH - CODE 0105 0124

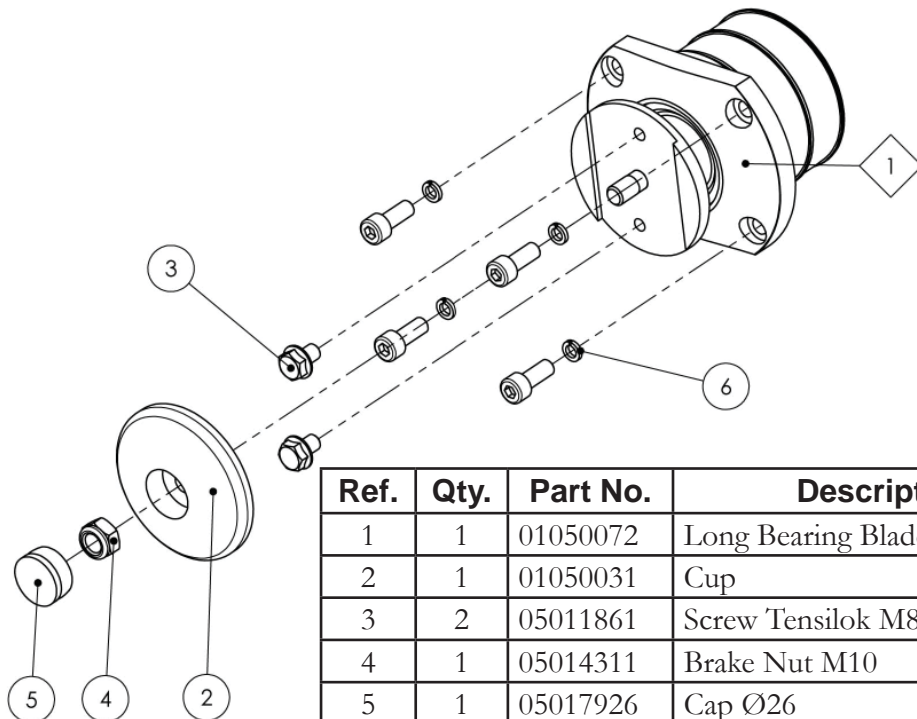


Ref.	Qty.	Part No.	Description	Assy.
1	1	01050066	Short Brg - Blade Motor RH	PL 3557 - Pg 23
2	1	01050031	Cup	
3	2	05011861	Screw Tensilok M8 x 12 Zn	
4	1	05014311	Brake Nut M10	
5	1	05017926	Cap Ø26	
6	4	05015317	Washer W8	
7	4	05010902	Screw CHC M8 x 20	

3 SPARE PARTS - ELEMENTS

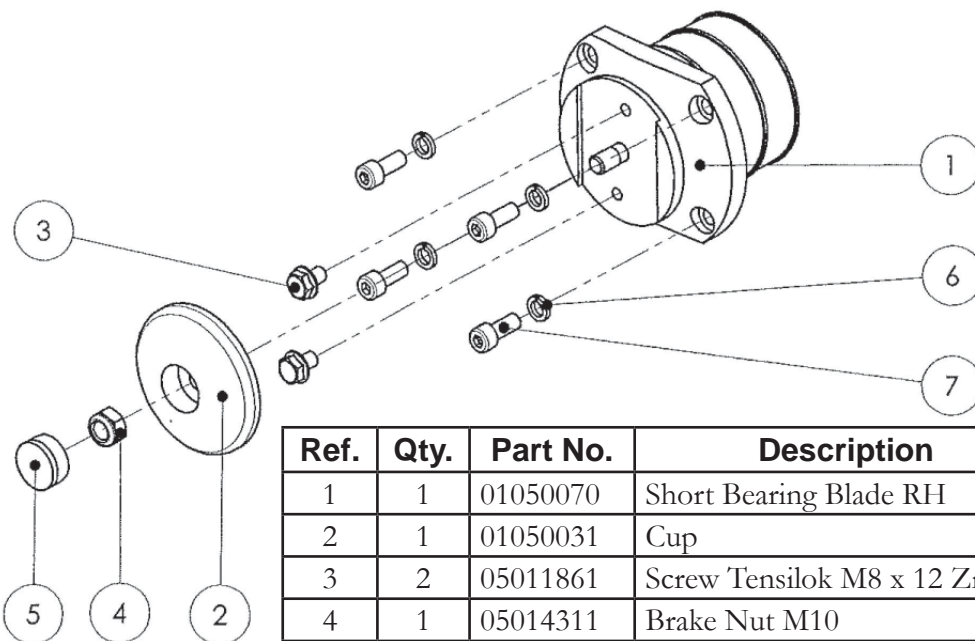
3.13 COMPLETE LONG BEARING BLADE RH - CODE 0105 0130

PL 3540



Ref.	Qty.	Part No.	Description	Assy.
1	1	01050072	Long Bearing Blade RH	PL 3556 - Pg 24
2	1	01050031	Cup	
3	2	05011861	Screw Tensilok M8 x 12 Zn	
4	1	05014311	Brake Nut M10	
5	1	05017926	Cap Ø26	
6	4	05015317	Washer W8	
7	4	05010902	Screw CHC M8 x 20	

COMPLETE SHORT BEARING BLADE RH - CODE 0105 0128



Ref.	Qty.	Part No.	Description	Assy.
1	1	01050070	Short Bearing Blade RH	PL 3556 - Pg 24
2	1	01050031	Cup	
3	2	05011861	Screw Tensilok M8 x 12 Zn	
4	1	05014311	Brake Nut M10	
5	1	05017926	Cap Ø26	
6	4	05015317	Washer W8	
7	4	05010902	Screw CHC M8 x 20	