



BACKHOES

For Skid Steer Loaders, Compact Tool Carriers, Compact Tractors and Compact Tractor Loaders



Bradco Backhoes, by Paladin, are designed to fit compact tractors, compact tractor loaders, compact tool carriers, and skid steers. Bradco offers multiple classes depending upon desired weight and digging force. Digging depths range from 78" to 132".



- Universal quick attach/mainframe mount
- Exclusive 8-bolt mounting pattern on mainframe provides easy interchange of mountings for use on multiple carriers
- Optimized performance at 9-12 GPM hydraulic flow



BACKHOES

STANDARD FEATURES



Cushioned cylinders for boom, dipper and swing provide smoother operation with less slamming and pressure spiking.



Swing speed control allows the operator to fully adjust the swing speed to the job.



A standard flow **control valve** limits the oil flow to allow for optimal operating speed (optional on 485 model).



Spherical ball bushings isolate the cylinder alignment and increase the rotating bearing surface at the joint.



A standard **thumb bracket** has been pre-fitted. No welding is required.



Easy controls - left lever runs boom and swing, right lever runs bucket and dipper while the middle levers run right and left stabilizers.

STANDARD FEATURES CONT.



A **boom lock** prevents the boom from moving during transport.



The **swing lock** prevents the boom from swinging during transportation.

BUCKET FEATURES



Easy **clean-out** bucket design.



Heaped **bucket capacities** from 0.61 ft.³ - 4.73 ft.³ depending upon bucket selection.

3 bucket linkage options

"Bell Hole" position allows bucket to open further and extend bucket reach

"Standard" position provides 180° rotation and allows bucket to move to "max-curl" position



"Power Dig" position allows application of maximum breakout force

BACKHOES

BRADCO BACKHOE RANGE



All Bradco Backhoes feature excellent **reach** capabilities.

COMPARISON CHART

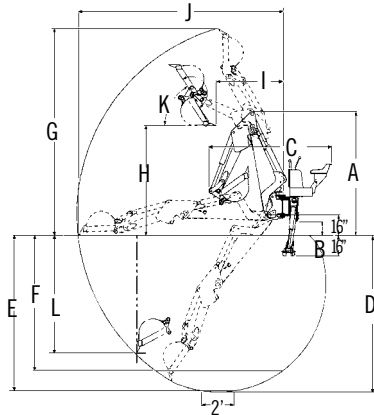
Models	Prime Mover	Digging Depth	Max Breakout Force	Boom	Application
3511B	Compact Tractor with 3 point- Cat II	11' (132")	4,768 lbs	Straight	General Light Duty
365	Compact Tool Carrier, Compact Tractor (3 or 4 point Cat I or Universal Hitch)	6'6" (78")	2,599 lbs	Straight	Landscaping, Ag, General Light Duty
485	Compact Tractor (3 or 4 point Cat I/II)	8'5" (101")	3,895 lbs	Curved	Ag, Light Duty, Utility Work
509B	SSL, Compact Tractor Loaders	9'6" (114")	5,676 lbs	Straight	Light Construction, Ag, Utility Work
511B	SSL, Compact Tractor Loaders	11' (132")	5,676 lbs	Straight	Light Construction, Ag, Utility Work
611B	SSL, Compact Tractor Loaders	11' (132")	6,200 lbs	Straight	Light Construction, Ag, Utility Work

3511B BACKHOE



Dual cylinder swing system with cushioned stop design provides maximum power. Provides optimum performance with 9 to 12 GPM hydraulic system. Replaceable steel bushings in all major pivot points. Standard swing speeds control. Large diameter boom and dipper cylinder with cushioned stop design.

- Fits compact tractors with 3 point-Cat II hitch
- 133" max digging depth
- 4,768 lbs max digging force
- Fold down stabilizers
- 12" - 38" buckets available



Specifications		3511B
Transport		
A. Transport Height (with boom fully retracted)		106"
Transport Width (with stabilizers up)		60"
B. Ground clearance		11"
C. Overall Length		93"
Boom pivot height		16"
Operating weight with 12" bucket		1,594 lbs.
Operational		
D. Digging Depth Maximum		133"
E. Digging Depth (2 ft.) Flat Bottom		132"
F. Digging Depth (8 ft.) Flat Bottom		119"
G. Overall operating height - fully raised		173"
H. Loading Height		96"
I. Loading Reach		60"
J. Reach from swing post		173"
K. Bucket rotation		180°
Swing Arc		180°
L. Straight wall digging depth		98"
Stabilizer spread operating position		95"
Stabilizer down below grade		16"
System relief valve setting		2,100 PSI
Digging force - bucket cylinder		4,768 lbs.
Digging force - dipper cylinder		2,567 lbs.

Buckets & Capacities				
Bucket Size	Struck Cap. ft ³	Heaped Cap. ft ³	Weight lbs.	Number of teeth*
12"	1.43	1.83	140	3
16"	1.98	2.56	154	3
18"	2.25	2.98	162	4
20"	2.52	3.40	168	4
24"	3.07	4.32	185	5
34"	4.23	5.80	238	7
36"	4.48	6.14	257	7
38"	4.73	6.48	269	7

* Buckets available without teeth

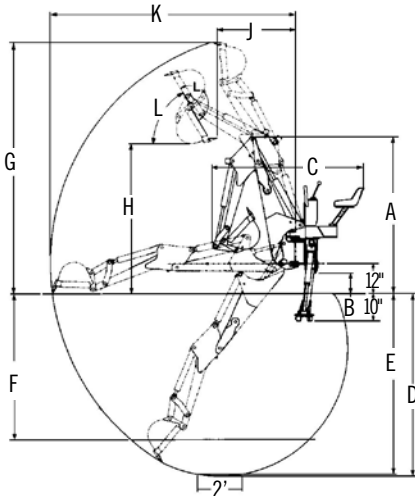
BACKHOES

365 BACKHOE



The Bradco 365 Backhoe has a full 180° swing rotation with equal power in both directions. Built from 10 gauge high-strength 100ksi steel to minimize weight and increase strength for durability. The highback seat is adjustable vertically as well as forward and backwards. Swing speed control allows the operator to adjust swing speed.

- Fits compact tool carriers and compact tractors with 3 or 4 point-Cat I hitch. Also universal hitch for CTC.
- 78" maximum digging depth
- 2,599 lbs max digging force
- Fold down stabilizers
- 8"- 18" buckets available



Specifications		365
Transport		
A. Transport Height (with boom fully retracted)		67"
Transport Width (with stabilizers up)		45"
B. Ground clearance		9.5"
C. Overall Length		76"
Boom pivot height		12"
Operating weight with 12" bucket		712 lbs.
Operational		
D. Digging Depth Maximum		78"
E. Digging Depth (2 ft.) Flat Bottom		76"
F. Digging Depth (8 ft.) Flat Bottom		NA
G. Overall operating height - fully raised		108"
H. Loading Height		55"
I. Loading Reach		46"
J. Reach from swing post		108"
K. Bucket rotation		180°
Swing Arc		180°
Stabilizer spread operating position		67"
Stabilizer down below grade		10"
System relief valve setting		2,320 PSI
Digging force - bucket cylinder		2,599 lbs.
Digging force - dipper cylinder		1,358 lbs.

Buckets & Capacities			
Bucket Struck Size	Heaped Cap ft. ³	Weight lbs.	Number of Teeth*
8"	.61	40	2
10"	.85	43	3
12"	1.09	47	3
16"	1.54	60	4
18"	2.78	63	4

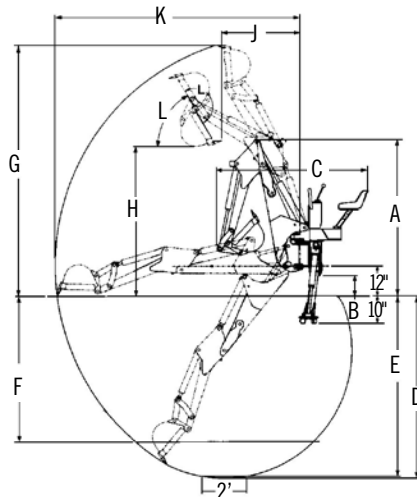
* Buckets available without teeth

485 BACKHOE



The Bradco 485 Backhoe has a full 180° swing rotation with equal power in both directions. Built from 10 gauge high-strength 100ksi steel to minimize weight and increase strength for durability. The highback seat is adjustable vertically as well as forward and backwards. Swing speed control allows the operator to adjust swing speed.

- Fits compact tractor with 3 or 4 point-Cat I/II hitch
- 101" maximum digging depth
- 3,895 lbs max digging force
- Fold down stabilizers
- 10" - 36" buckets available



Specifications		485
Transport		
A. Transport Height (with boom fully retracted)		81"
Transport Width (with stabilizers up)		51"
B. Ground clearance		10"
C. Overall Length		83"
Boom pivot height		12"
Operating weight with 12" bucket		1,010 lbs.
Operational		
D. Digging Depth Maximum		101"
E. Digging Depth (2 ft.) Flat Bottom		100"
F. Digging Depth (8 ft.) Flat Bottom		52"
G. Overall operating height - fully raised		121"
H. Loading Height		63"
I. Loading Reach		58"
J. Reach from swing post		127"
K. Bucket rotation		180°
Swing Arc		180°
Stabilizer spread operating position		90°
Stabilizer down below grade		10"
System relief valve setting		2,750 PSI
Digging force - bucket cylinder		3,895 lbs.
Digging force - dipper cylinder		2,358 lbs.

Buckets & Capacities			
Bucket Struck Size	Heaped Cap ft. ³	Weight lbs.	Number of Teeth*
10"	.95	72	3
12"	1.2	76	3
16"	1.86	89	4
18"	2.14	95	5
24"	3.1	115	5
36"		141	6

* Buckets available without teeth

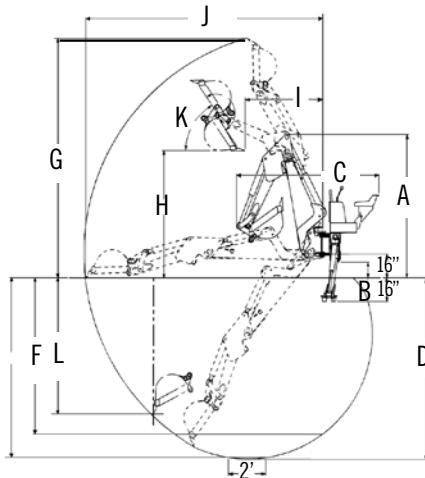
BACKHOES

509B BACKHOE



The 509B Backhoe has a 116" maximum digging depth with 12" to 38" buckets available.

- Fits SSL and compact tractor loaders
- 116" max digging depth
- 5,676 lbs max digging force
- Fold down stabilizers
- 12" - 38" buckets available



Specifications	509B
Transport	
A. Transport Height (with boom fully retracted)	93"
Transport Width (with stabilizers up)	60"
B. Ground clearance	11"
C. Overall Length	91"
Boom pivot height	16"
Operating weight with 12" bucket	1,425 lbs.
Operational	
D. Digging Depth Maximum	116"
E. Digging Depth (2 ft.) Flat Bottom	115"
F. Digging Depth (8 ft.) Flat Bottom	99"
G. Overall operating height - fully raised	154"
H. Loading Height	82"
I. Loading Reach	50"
J. Reach from swing post	153"
K. Bucket rotation	180°
Swing Arc	180°
L. Straight wall digging depth	87"
Stabilizer spread operating position	95"
Stabilizer down below grade	16"
System relief valve setting	2,500 PSI
Digging force - bucket cylinder	5,676 lbs.
Digging force - dipper cylinder	2,754 lbs.

Buckets & Capacities				
Bucket Size	Struck Cap. ft. ³	Heaped Cap. ft. ³	Weight lbs.	Number of teeth*
12"	1.43	1.83	140	3
16"	1.98	2.56	154	3
18"	2.25	2.98	162	4
20"	2.52	3.40	168	4
24"	3.07	4.32	185	5
34"	4.23	5.80	238	7
36"	4.48	6.14	257	7
38"	4.73	6.48	269	7

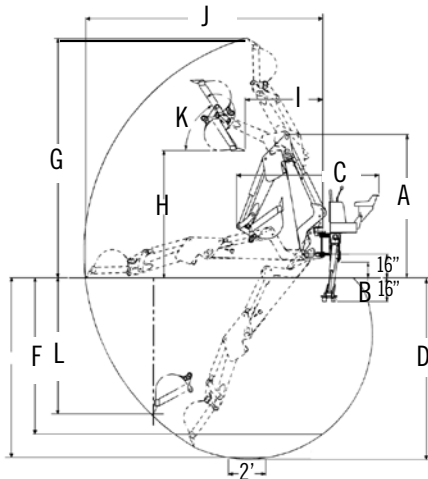
* Buckets available without teeth

511B BACKHOE



The Bradco 511B Backhoe is ideal for farming, light construction, and landscaping for users that include golf courses, nurseries, utility companies, and cemeteries. Optimum performance with 9 to 12 GPM hydraulic systems.

- Fits SSL and compact tractor loaders
- 132" max digging depth
- 5,676 lbs max digging force
- Fold down stabilizers
- 12" - 38" buckets available



Specifications	511B
Transport	
A. Transport Height (with boom fully retracted)	106"
Transport Width (with stabilizers up)	60"
B. Ground clearance	11"
C. Overall Length	93"
Boom pivot height	16"
Operating weight with 12" bucket	1,594 lbs.
Operational	
D. Digging Depth Maximum	133"
E. Digging Depth (2 ft.) Flat Bottom	132"
F. Digging Depth (8 ft.) Flat Bottom	119"
G. Overall operating height - fully raised	173"
H. Loading Height	96"
I. Loading Reach	60"
J. Reach from swing post	173"
K. Bucket rotation	180°
Swing Arc	180°
L. Straight wall digging depth	98"
Stabilizer spread operating position	95"
Stabilizer down below grade	16"
System relief valve setting	2,500 PSI
Digging force - bucket cylinder	5,676 lbs.
Digging force - dipper cylinder	3,056 lbs.

Buckets & Capacities				
Bucket Size	Struck Cap. ft ³	Heaped Cap. ft. ³	Weight lbs.	Number of teeth*
12"	1.43	1.83	140	3
16"	1.98	2.56	154	3
18"	2.25	2.98	162	4
20"	2.52	3.40	168	4
24"	3.07	4.32	185	5
34"	4.23	5.80	238	7
36"	4.48	6.14	257	7
38"	4.73	6.48	269	7

* Buckets available without teeth

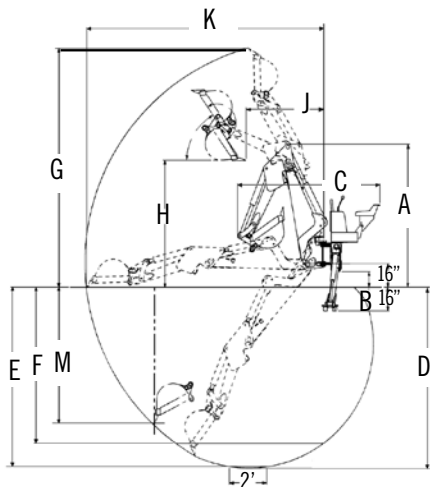
BACKHOES

611B BACKHOE



The 611B Backhoe provides the best bucket digging force for a four bar linkage backhoe in its class. The 611B is designed to work as hard as you do, and the long reach from the swing post, allowing you to place material further from the excavation, and Bradco's high-capacity buckets mean that you will spend more time digging and less time moving the backhoe. Add to that the 611's powerful hydraulic cylinders and standard Bradco durability, and the 611B backhoe is a clear winner.

- Fits SSL and compact tractor loaders
- Reinforced boom
- 132" max digging depth
- 6,200 lbs max digging force
- Fold down stabilizers
- 12" - 38" buckets available



Specifications	611B
Transport	
A. Transport Height (with boom fully retracted)	106"
Transport Width (with stabilizers up)	57"
B. Ground clearance	11"
C. Overall Length	93"
Boom pivot height	16"
Operating weight with 12" bucket	1,930 lbs.
Operational	
D. Digging Depth Maximum	133"
E. Digging Depth (2 ft.) Flat Bottom	132"
F. Digging Depth (8 ft.) Flat Bottom	119"
G. Overall operating height - fully raised	173"
H. Loading Height	96"
I. Loading Reach	60"
J. Reach from swing post	173"
K. Bucket rotation	180°
Swing Arc	180°
L. Straight wall digging depth	98"
Stabilizer spread operating position	119"
Stabilizer down below grade	17"
System relief valve setting	2,750 PSI
Digging force - bucket cylinder	6,200 lbs.
Digging force - dipper cylinder	4,350 lbs.

Buckets & Capacities

Bucket Size	Struck Cap. ft. ³	Heaped Cap. ft. ³	Weight lbs.	Number of teeth*
12"	1.43	1.83	140	3
16"	1.98	2.56	154	3
18"	2.25	2.98	162	4
20"	2.52	3.40	168	4
24"	3.07	4.32	185	5
34"	4.23	5.80	238	7
36"	4.48	6.14	257	7
38"	4.73	6.48	269	7

- Buckets available without teeth

BACKHOE ACCESSORIES



The Bradco Backhoe Accessories feature a fixed and hydraulic thumb. Buckets are available with or without teeth. Accessories are made with heavy-duty construction to resist abrasion and twisting. Accessories are designed to mesh with tooth spacing on all 18" - 24" Bradco buckets. An exclusive knuckle arm allows compact stowage with no loose pieces to store. A conversion kit is available to transform knuckle arm thumb to hydraulic. Hydraulic version provides smooth, confident placement of materials.

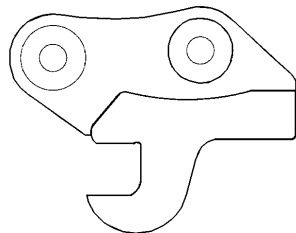
Optional Accessories

- Vertical Stabilizer Assembly
- Quick hitch coupler
- Heavy-Duty quick coupler buckets
- Quick coupler ditch buckets

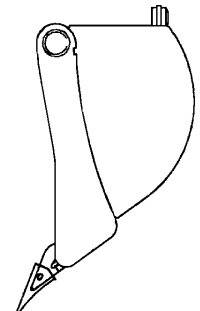
Specifications	
Fixed Thumb	
Clamp Force	Bucket Force
Weight	150 lbs.
Hydraulic Thumb	
Clamp Force	80% of Bucket Force
Rotation	120°
Weight	130 lbs.



Vertical Stabilizer Assembly



Quick Hitch Coupler for 509B, 511B, and 611B



Heavy-Duty Quick Coupler Bucket



PALADIN™

POWERFUL ATTACHMENT TOOLS

The Power of Combined Excellence®

BRADCO CP CUSTOMWORKS CWS FFC HARLEY
JEWELL J:B KODIAK McMILLEN SWEEPSTER

*When work needs to get done you need to be
able to depend on your equipment.
Our Backhoes are designed for maximum
reliability, durability, and productivity.*



PALADIN™
POWERFUL ATTACHMENT TOOLS

|| PH: 800.456.7100 || www.paladinattachments.com || Connect with Paladin:



REV 03-16