

Trenchers

For compact skid-steer loaders, skid-steer loaders & 3-Point tractors

FEATURES:

- Mount to skid-steer loaders, compact skid-steer loaders, & 3 point PTO HP hydrostatic tractors
- Heavy duty crumpler & safety bar
- Standard flow & high flow options available
- Several boom lengths available to match your job's specifications
- Choose from various chain & teeth assemblies
- 2 year limited warranty



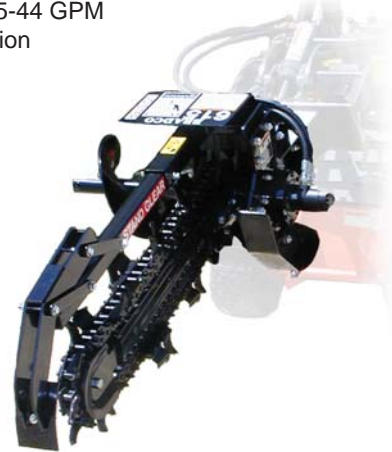
612 Trencher - PTO
20-45 hp
Category I
hydrostatic tractor



625 Trencher - SSL
standard flow 14-22 GPM
chain reduction



640 Trencher - SSL
standard flow 14-24 GPM
high flow 25-44 GPM
planetary reduction



615 & 615F Trencher
planetary & compact
6-16 GPM



612 Trencher



615 Trencher



615F Trencher



625 Trencher



640 Trencher

612 Trencher

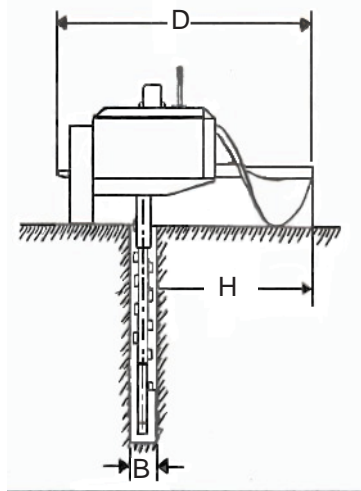
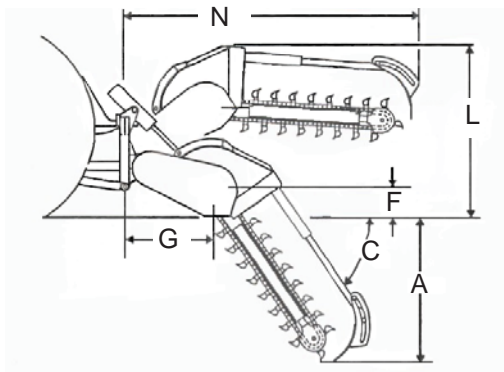
Specifications

3-Point Mounting	Category I
A. trench depth	30", 36", 48", 60"
B. trench width	6", 8", 10", 12"
C. trenching angle	65°
D. auger diameter	24"
E. width	43"
F. headshaft height (auger at grade)	12"
G. 3-point length to headshaft	24"
H. spoil discharge reach	29"
L. transport height	varies
M. center of trencher to end of auger	27"
N. trencher length with 4' boom	96"
Maximum Trenching Depths Based on Trench Width	
6" wide	60" deep
8" wide	48" deep
10" wide	36" deep
12" wide	30" deep

Digging Chain Specifications

double standard, anti-back flex	50,000 lbs.
standard chain pitch	2"

*requires hydraulic power outlets at rear of tractor or valve kit required



Specifications and design are subject to change without notice and without liability, therefore, whenever applicable specifications are in accordance with SAE standards.

FEATURES:

- Category I, 3-point mount for 20-45 PTO HP hydrostatic tractors
- PTO shaft-drive with heavy duty slip clutch for overload protection
- Gearbox drive with chain reduction to the headshaft giving productive digging chain speed
- 24" discharge auger, places dirt well away from the trench
- Several tooth options available
 - cup
 - shark
 - rock & frost
- 50,000 lb 2" anti back flex chain
- 2 year limited warranty

PH: (800) 922-2981
FX: (563) 922-2700

P.O. Box 266
Delhi, IA 52223-0266
United States of America

www.paladinbrands.com

B-Trencher 0611-3

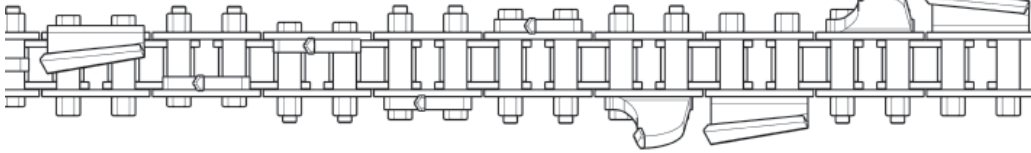


Chain Options

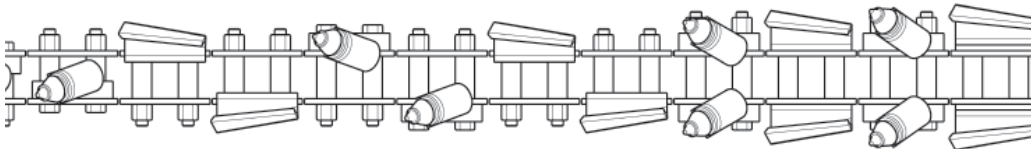
Trencher Chain & Teeth Assemblies

Chain Widths

70/30 Combination Chain (aggressive shark style/cup teeth)
2" Pitch



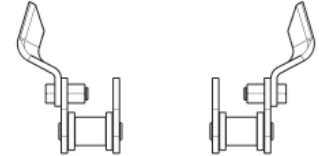
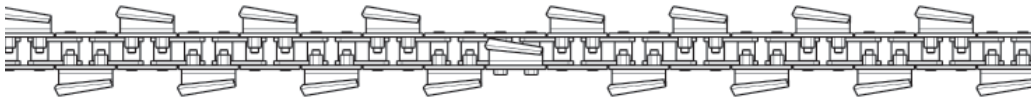
50/50 Rock & Frost Chain
2" Pitch



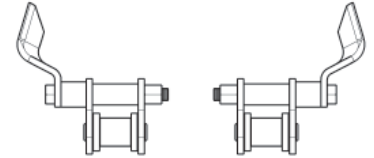
Tooth Every Other Station (TEOS)
2" Pitch 50,000#



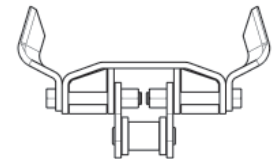
Tooth Every Station (TES)
2" Pitch 50,000#



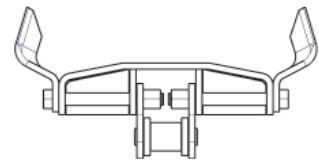
6" wide chain



8" wide chain



10" wide chain



12" wide chain

Specifications and design are subject to change without notice and without liability, therefore, whenever applicable specifications are in accordance with SAE standards.

PH: (800) 922-2981
FX: (563) 922-2700

P.O. Box 266
Delhi, IA 52223-0266
United States of America

www.paladinbrands.com

B-Trencher Broc 0611-3



PALADIN LIGHT CONSTRUCTION