



TANDEM DISCS

**Operation, Service
& Parts Manual For
14-16-N-XB-Z**

October 2004 (Rev.)

TABLE OF CONTENTS

Introduction/Assembly	1
General Maintenance	1
Operating Instructions	2
Preparation of Tractor	3
Operational Safety	4
Disc Assembly	5-6
Limited Warranty	7

Date of Purchase: _____

Model Number: _____

Serial Number _____

INTRODUCTION

We welcome you as an owner of a Gearmore disc. Please read the following instructions and refer to them when required:

ASSEMBLY INSTRUCTIONS

The Gearmore discs come with assembled disc gangs, which greatly reduces the assembly time.

1. Assemble a-frame with the front brace to the inside of the hitch pin bracket ear with the hitch pin.
2. Mount the rear braces on the inside of the front braces with the spacer in the center. The rear braces mount on the bottom side of the frame in the hole in front of the rear gang bracket.

GENERAL MAINTENANCE

Carefully follow all instructions as stated in this operation manual. This includes safety, assembly, operation and maintenance of the disc.

1. Check all bolts for tightness.
2. Replace damaged or worn parts immediately.
3. The bearings on this disc are a dry sleeve type bearing needing daily lubrication. Lack of lubrication will result in premature wear or damage to the bearings.

OPERATING INSTRUCTIONS



READ THIS BEFORE OPERATING DISC

Know your controls and how to stop tractor engine and disc quickly in an emergency. ***READ THIS OPERATOR'S MANUAL AND THE MANUAL PROVIDED WITH YOUR TRACTOR.***

To avoid accident or injury, ***do not*** allow anyone to operate this equipment without proper instructions. Any person who operates this equipment must be instructed in and be capable of the safe operation of the unit, its attachments and all controls.

DO NOT allow children to operate machine, or adults to operate it without proper instructions.

Disc should run level when 3-point hitch is pre-adjusted as recommended and disc blades are running between 3" to 5" deep. Depth of cut will vary depending on soil type, moisture content and weight of implement. Start disc operation at a slower comfortable speed; increase tractor speed as clods reduce size. The types of soil, moisture, and weight on disc will determine how many times you will have to go back and forth to get the kind of seed bed desired. For harder or dryer soils, additional weight may be added to improve penetration. Always operate disc with hitch hydraulic control lever in lowered "float" position. Ridging, sometimes caused by rear outer discs, can be reduced or eliminated by changing tractor speed, shortening upper link, or a combination of both. Always lift disc before turning at ends of field.

DO NOT make turns with the disc in the ground. Doing this will cause blade damage, which is not covered under warranty.

PREPARATION

PREPARATION OF TRACTOR

With hitch in the lowered position, adjust lower link arms until lower link ball ends are approximately 10" from the ground. Attach disc to lower links of hitch and secure with spring pins.

Connect upper link of tractor hitch to the mounting holes on upper part of main frame.

Secure with hitch pin and spring pin. When using a tandem disc, place the hitch in "float" and adjust upper link so that the front and rear gangs are on the ground.

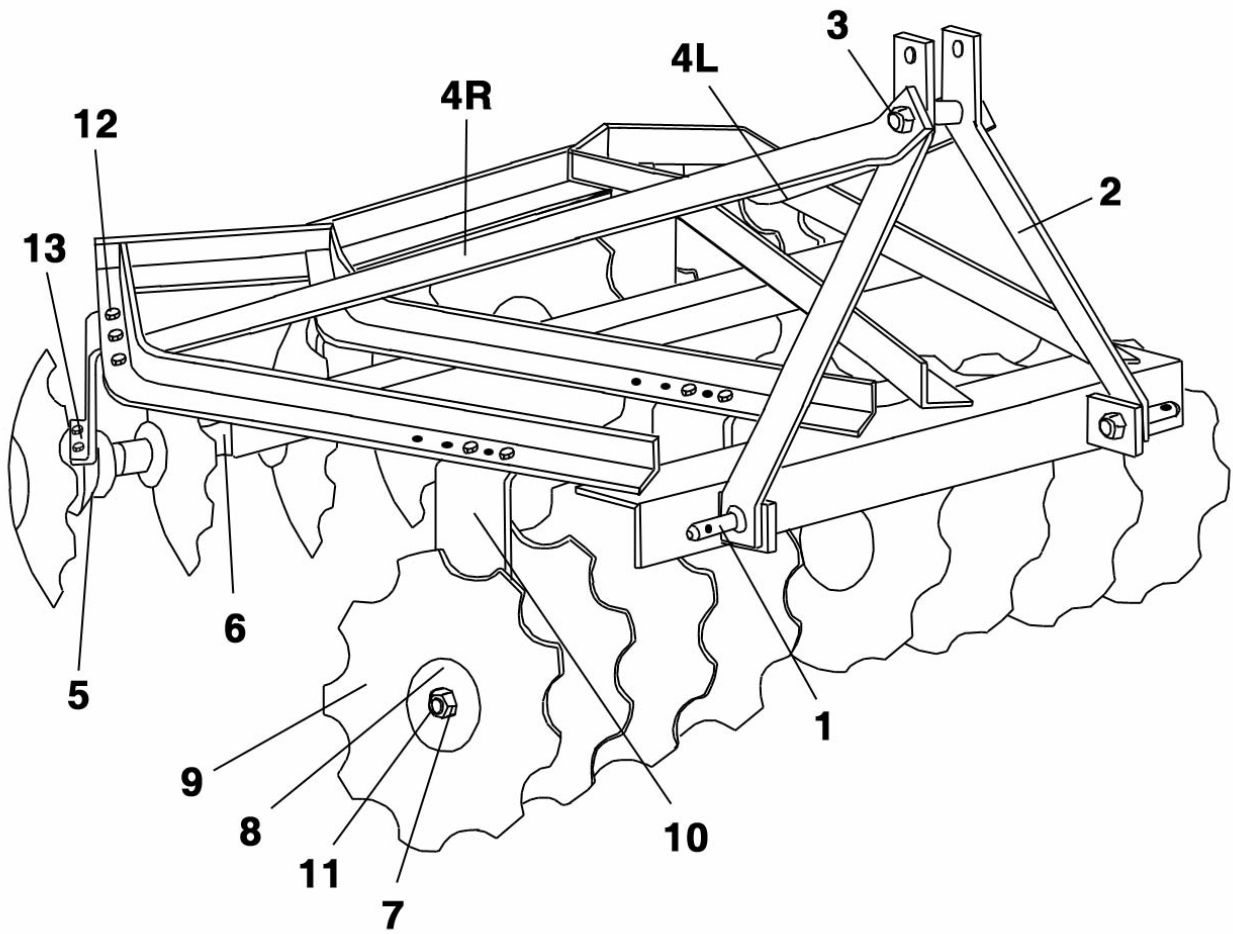
Raise disc with lift and adjust stabilizer chains to prevent side sway in the transport position.

Be sure you read and understand the Operator's Instructional Manual.

OPERATIONAL SAFETY

- Read the operator's manual before using any equipment.
- **NEVER** allow children to operate tractor and disc or other power equipment.
- Know how to stop the tractor quickly in the event of an emergency.
- Instruct children and other persons to stay away from the tractor and disc when it is in operation.
- **ALWAYS** remove the key when leaving the tractor unattended.
- **NEVER** allow disc to be left in the "up" position when unattended.
- Give complete undivided attention to the job at hand.
- **NEVER** allow riders.
- Stop the engine when dismounting from the tractor.
- Use caution when operating the tractor on uneven terrain. Decrease speed when making turns. Use front and rear wheel weights as required.
- Add sufficient amount of weight to front end of tractor to prevent wheels from coming off the ground when starting suddenly with a load.

ANGLE FRAME DISC



ANGLE FRAME DISC

<u>REF #</u>	<u>PART NUMBER</u>	<u>DESCRIPTION</u>
1	500001	Cat. I Lift Pin (2/pk)
2	311070	Lift Arms
3	501090	Lift Arm Spacer Kit
4L	311071	Lift Arm Brace LH
4R	311072	Lift Arm Brace RH
5	504110	Bearing Caps & Spool
6	129500	Spacer
7	504280	Lock Nuts - 1" (4/pk)
8	322005	Axle Washer
9	189214	Disc Blade 14" - Notched
10	311068	Bearing Stand
11	401035	Axle
12	O/L	Bolt - 1/2 x 1 1/2
13	504070	Bearing Cap Bolt Set (2/pk) 1/2 x 5 1/2

LIMITED WARRANTY



GEARMORE, INC., warrants each new Gearmore product to be free from defects in material and workmanship for a period of twelve (12) months from date of purchase to the original purchaser. This warranty shall not apply to implements or parts that have been subject to misuse, negligence, accident, or that have been altered in any way.

Our obligation shall be limited to repairing or replacement of any part, provided that such part is returned within thirty (30) days from date of failure to Gearmore through the dealer from whom the purchase was made, transportation charges prepaid.

This warranty shall not be interpreted to render us liable for injury or damages of any kind or nature, direct, consequential or contingent, to person or property. This warranty does not extend to loss of crops, loss because of delay in harvesting or any other expenses, for any other reasons.

Gearmore in no way warranties engines, tires, or other trade accessories, since these items are warranted separately by these respective manufacturers.

Gearmore reserves the right to make improvements in design or changes in specification at any time, without incurring any obligations to owners or units previously sold.

GEARMORE, INC.
13477 Benson Ave.
Chino, CA 91710

Always refer to and heed machine operating warning decals on machine.

The serial number of this product is stored in our computer database, thus submitting a warranty registration card is not required.